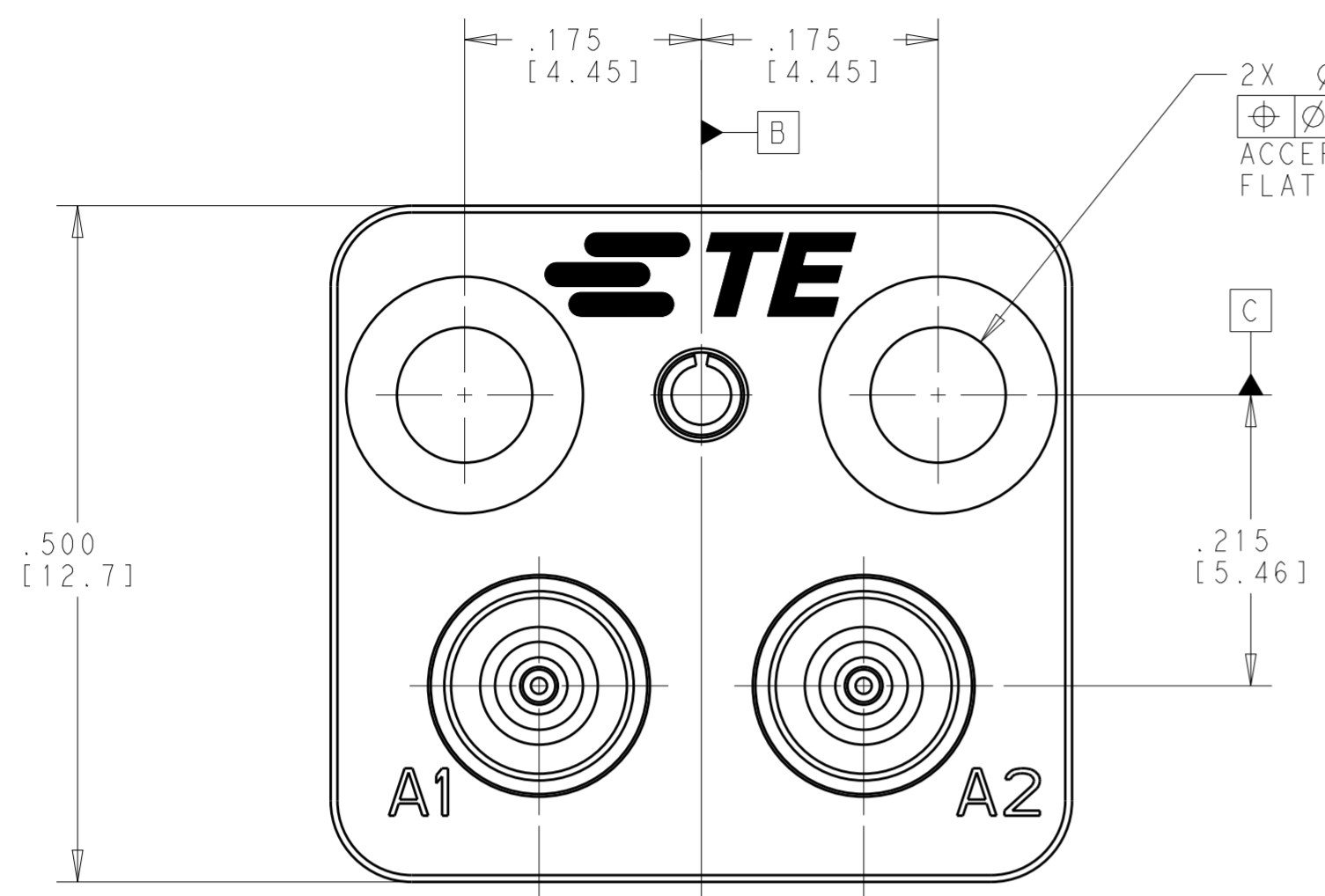


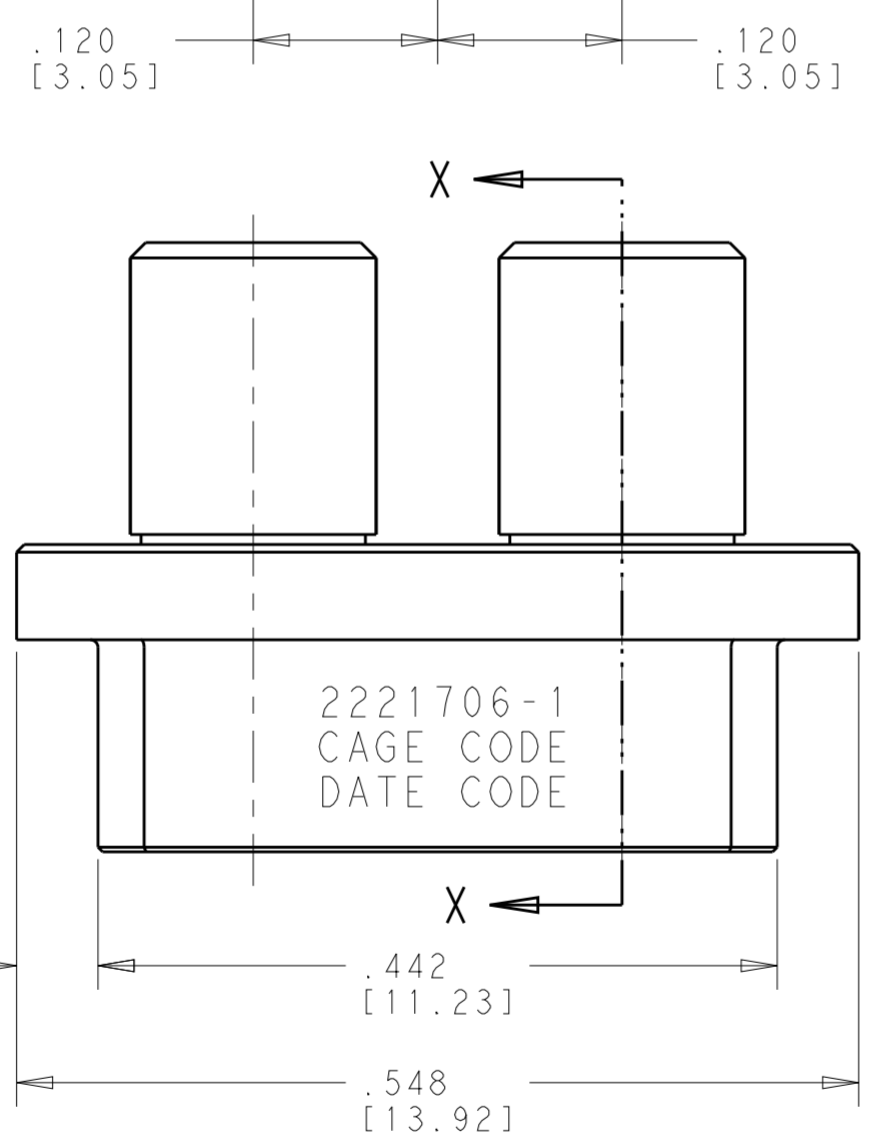
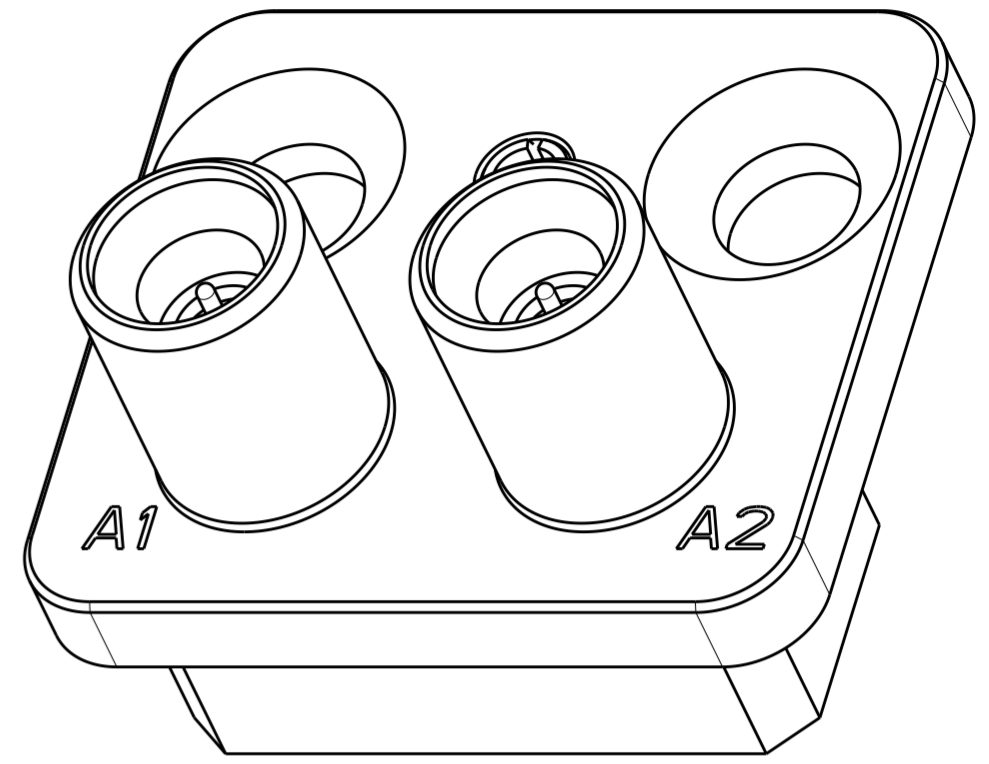
THIS DRAWING IS UNPUBLISHED. RELEASED FOR PUBLICATION 20  
 © COPYRIGHT 20 BY - ALL RIGHTS RESERVED.

REVISIONS					
P	LTR	DESCRIPTION	DATE	DWN	APVD
1		PRELIMINARY	27JAN2015	STM	STM

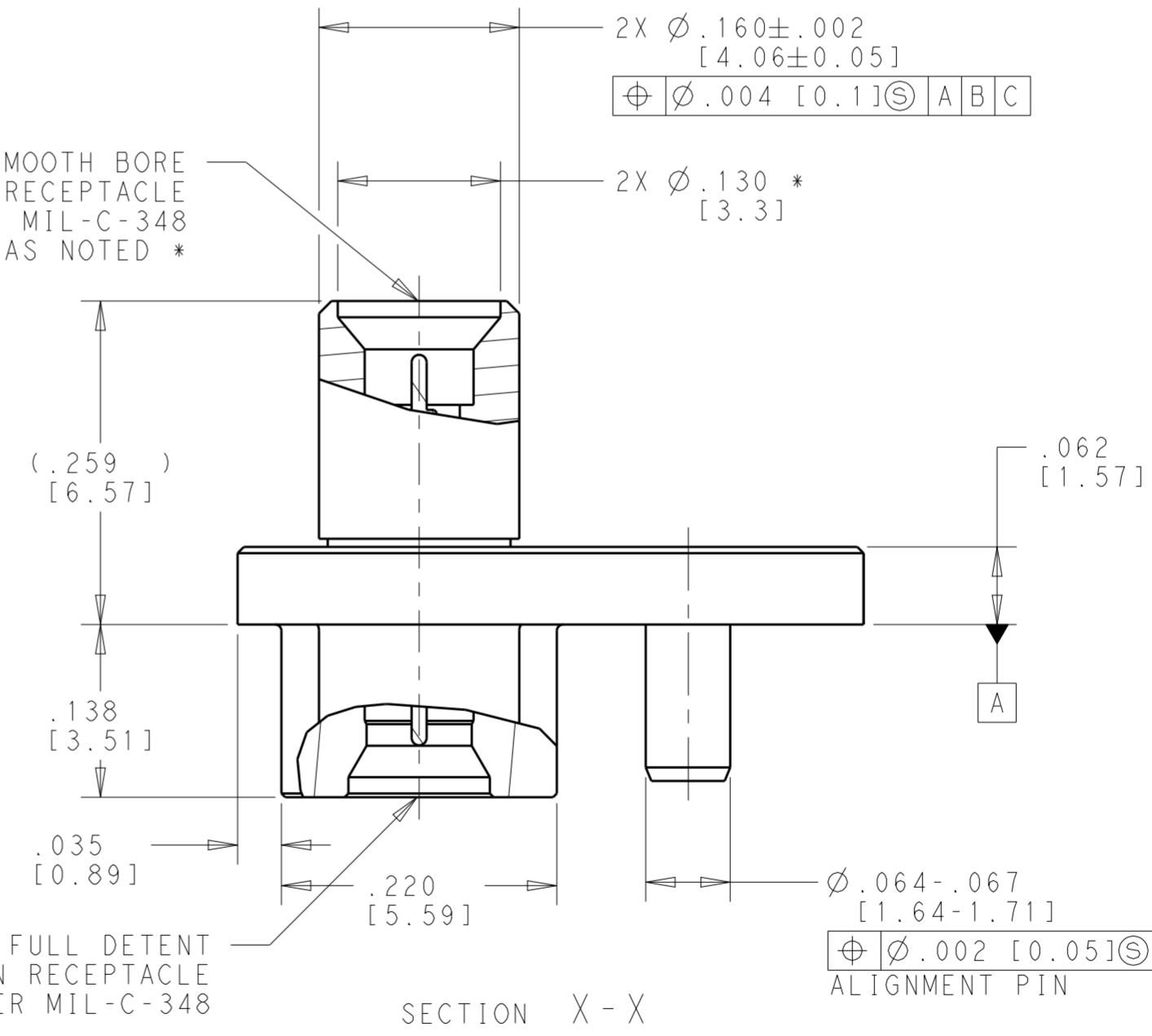


2X Ø.100 MOUNTING HOLES  
 ⊕ Ø.004 [0.1] ⊙ A B C  
 ACCEPT 2-56 UNC, 100° C SINK  
 FLAT HEAD SCREWS

THIS PRINT IS  
**PRELIMINARY**  
 UNQUALIFIED PRODUCT  
 CONTACT PRODUCT ENGINEERING  
 BEFORE USING THIS PRINT



2X SMPM SMOOTH BORE  
 PIN RECEPTACLE  
 PER MIL-C-348  
 EXCEPT AS NOTED \*



2X SMPM FULL DETENT  
 PIN RECEPTACLE  
 PER MIL-C-348

SECTION X-X

⊕ Ø.002 [0.05] ⊙ A B C  
 ALIGNMENT PIN

COMPONENT	MATERIAL	FINISH
RF MODULE BODY	STAINLESS STEEL, TYPE 303 PER UNS S 30300	PASSIVATED PER, AMS QQ-P-35
SPRING PIN (ALIGNMENT)	WORK HARDENED NICKEL STAINLESS STEEL	PASSIVATED PER, AMS QQ-P-35
SMPM SMOOTH BORE & CONTACTS	BERYLLIUM COPPER, ALLOY C17300, PER ASTM B196	GOLD PLATE OVER NICKEL
INSULATORS	POLYTETRAFLUOROETHYLENE (PTFE)	N/A

2221706-1  
 PART  
 NUMBER

THIS DRAWING IS A CONTROLLED DOCUMENT.

DIMENSIONS: INCHES [mm]	TOLERANCES UNLESS OTHERWISE SPECIFIED:	DWN S T Mar ley 27JAN2015	TE Connectivity
0 PLC ±.1	1 PLC ±.01	CHK S T Mar ley 27JAN2015	<b>PRELIMINARY</b>
2 PLC ±.001	3 PLC ±.0005	APVD S T Mar ley 27JAN2015	
MATERIAL SEE TABLE	FINISH SEE TABLE	PRODUCT SPEC TBD	2-POSITION RF BACKPLANE MODULE SMPM SB - FD RECEPTACLES
WEIGHT 4.24 g	SCALE 8:1	SIZE A2	RESTRICTED TO

Customer Drawing SHEET 1 OF 1 REV 1