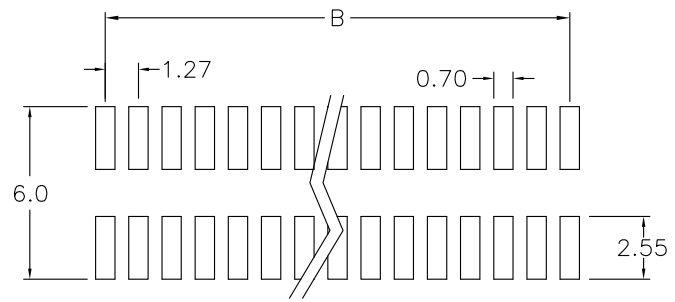
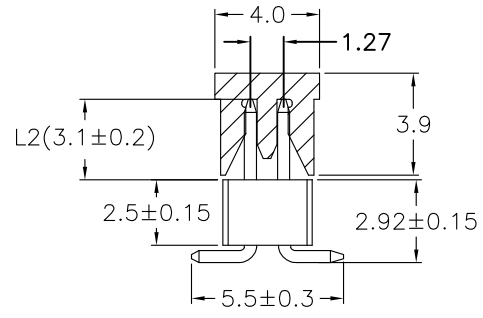
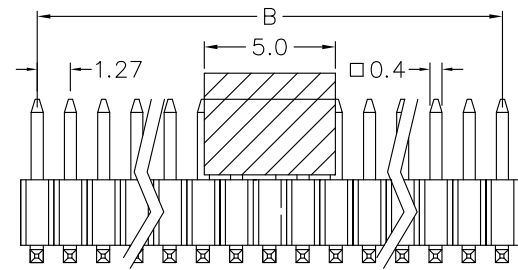
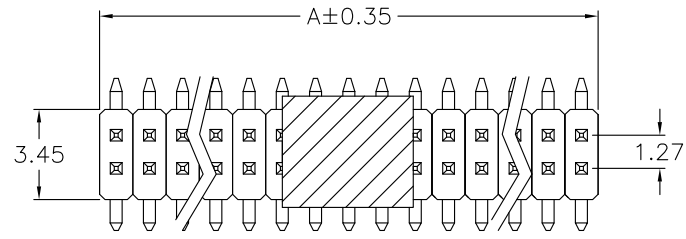


REV.	SPECIFICATION	ECN NO.	APPD.



P.C. Board Layout

**Material:**

Housing: High Temperature Plastic UL94V-0.

Contacts: Copper Alloy.

**Electrical Characteristics:**

Current Rating: 1 AMP.

Dielectric Withstanding Voltage: AC 500V For 1 minute.

Insulator Resistance: 5000MΩ min. at DC 500V.

Contact Resistance: 20mΩ max. at DC 100mA.

Operating Temperature: -40°C~+105°C.

**\*RoHS Compliant**

2215- 2 X xx G 00 D N -3.1 B -H2.5 -P  
 Series Double No. of C: Selective 00: G/F SMD N: W/O Post 3.1: Mating B: Bulk Package -H2.5 Plastic Height -P: Plastic Pad  
 Row Row Pin Per Gold Plated 10: 10 μ" Type Length U: Tube Package  
 Row Row Row G: Gold Plated 15: 15 μ" T: Tape Reel Package  
 30: 30 μ"

Position	4 Thru 100
Dimension	
A	1.27 X No.of Positions/2-0.2
B	1.27 X No.of Positions/2-1.27

Tolerances	Dwg. No.	2215D01034	Title:		2215 Series Pin Header 1.27mmX1.27mm	 <b>OUPIN ELECTRONIC(KUNSHAN) CO., LTD.</b> P/N:2215-2XxxG00DN-3.1B-H2.5-P
x = ±0.5	Projection					
.x = ±0.25	Unit	mm	Scale	1:1		
.xx = ±0.15	Drawn By	Peggy	10/19'15	① 535	SHEET	1/1
					Ver.No.	A3