

2213717-2 ✓ ACTIVE

LUMAWISE | LUMAWISE Dimming Receptacle

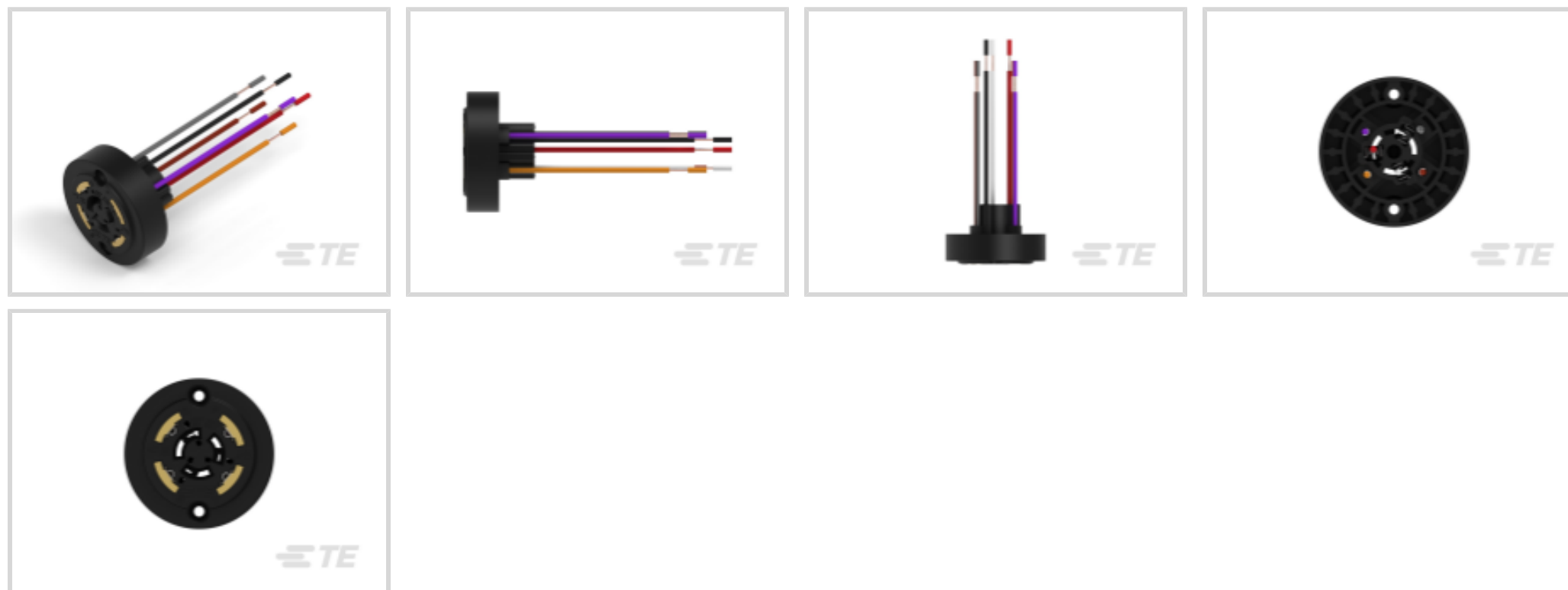
TE Internal #: 2213717-2

ANSI Street Lighting Receptacles, Connector, Not Rotatable, Wire-to-Component, 7 Position, Sealable, Power & Signal, LUMAWISE Dimming Receptacle

[View on TE.com >](#)



Connectors > Lighting Connectors > Street Lighting Controls > Street Lighting Receptacles



Lighting Product Type: **Connector**

Lighting Connector Features Included: **Not Rotatable**

Connector System: **Wire-to-Component**

Number of Positions: **7**

Sealable: **Yes**

## Features

### Product Type Features

Connector & Contact Terminates To	Wire & Cable
Lighting Product Type	Connector
Connector System	Wire-to-Component
Sealable	Yes

### Configuration Features

Lighting Connector Features Included	Not Rotatable
Number of Positions	7

### Electrical Characteristics

Operating Voltage	600 VAC
-------------------	---------

### Body Features

Primary Product Color	Black
-----------------------	-------

### Contact Features

Contact Mating Area Plating Material	Gold
--------------------------------------	------



Contact Current Rating (Max)	15 A
------------------------------	------

### Dimensions

Wire Size	18 – 14 AWG
-----------	-------------

### Usage Conditions

Operating Temperature Range	-40 – 85 °C[-40 – 185 °F]
-----------------------------	---------------------------

### Operation/Application

Circuit Application	Power & Signal
---------------------	----------------

### Industry Standards

Compatible With Agency/Standards Products	ANSI
---	------

## Product Compliance

[For compliance documentation, visit the product page on TE.com>](#)

EU RoHS Directive 2011/65/EU	Compliant
EU ELV Directive 2000/53/EC	Compliant
China RoHS 2 Directive MIIT Order No 32, 2016	No Restricted Materials Above Threshold
EU REACH Regulation (EC) No. 1907/2006	Current ECHA Candidate List: JUNE 2024 (241) Candidate List Declared Against: JAN 2024 (240) Does not contain REACH SVHC
Halogen Content	Low Halogen - Br, Cl, F, I < 900 ppm per homogenous material. Also BFR/CFR/PVC Free
Solder Process Capability	Not reviewed for solder process capability


#### Product Compliance Disclaimer

This information is provided based on reasonable inquiry of our suppliers and represents our current actual knowledge based on the information they provided. This information is subject to change. The part numbers that TE has identified as EU RoHS compliant have a maximum concentration of 0.1% by weight in homogenous materials for lead, hexavalent chromium, mercury, PBB, PBDE, DBP, BBP, DEHP, DIBP, and 0.01% for cadmium, or qualify for an exemption to these limits as defined in the Annexes of Directive 2011/65/EU (RoHS2). Finished electrical and electronic equipment products will be CE marked as required by Directive 2011/65/EU. Components may not be CE marked. Additionally, the part numbers that TE has identified as EU ELV compliant have a maximum concentration of 0.1% by weight in homogenous materials for lead, hexavalent chromium, and mercury, and 0.01% for cadmium, or qualify for an exemption to these limits as defined in the Annexes of Directive 2000/53/EC (ELV). Regarding the REACH Regulation, the information TE provides on SVHC in articles for this part number is based on the latest European Chemicals Agency (ECHA) 'Guidance on requirements for substances in articles' posted at this URL: <https://echa.europa.eu/guidance-documents/guidance-on-reach>

## Compatible Parts




TE Part # 2213730-1  
LIGHT CONTROLLER BASE ASSEMBLY, 76MM DIA



TE Part # 1-2325661-1  
LUMAWISE ENDURANCE N SHRTG CAP BASE VENT




TE Part # 2325661-1  
LUMAWISE ENDURANCE N SHRTNG CAP BASE ASM



TE Part # 2336396-2  
ASSEMBLY, LIGHT CONTROLLER BASE, W/VENT

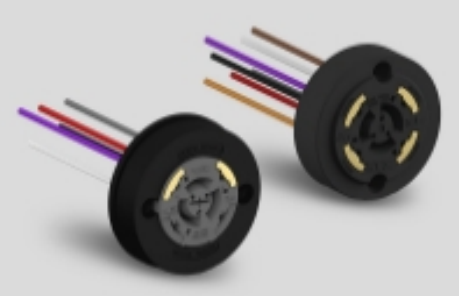


TE Part # 2336396-1  
ASSEMBLY, LIGHT CONTROLLER BASE, W/VENT



TE Part # 2213871-3  
LIGHT CONTROLLER BASE ASSY, 81MM DIA, 7POS

Also in the Series | **LUMAWISE Dimming Receptacle**



Street Lighting Receptacles(26)

Customers Also Bought



TE Part #DT04-2P  
REC, 2P, GRY, N



TE Part #DT06-2S  
PLG, 2P, GRY, N



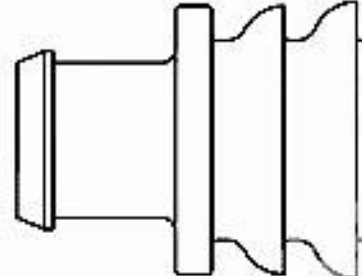
TE Part #W2S  
Wedgelocks: DEUTSCH DT



TE Part #0460-202-16141  
DEUTSCH Solid Contacts



TE Part #282104-1  
AMP SUPERSEAL 1.5MM, CONNECTOR HOUSING



TE Part #281934-2  
SINGLE WIRE SEAL



TE Part #114017-ZZ  
SEALING PLUG, SIZE 12/16, WHT



## Documents

### Product Drawings

[Rcpt Assy,Dimmable Photocontrol,150C,3/4](#)

English

---

### Product Specifications

[Application Specification](#)

English

---

### Agency Approvals

[UL](#)

English