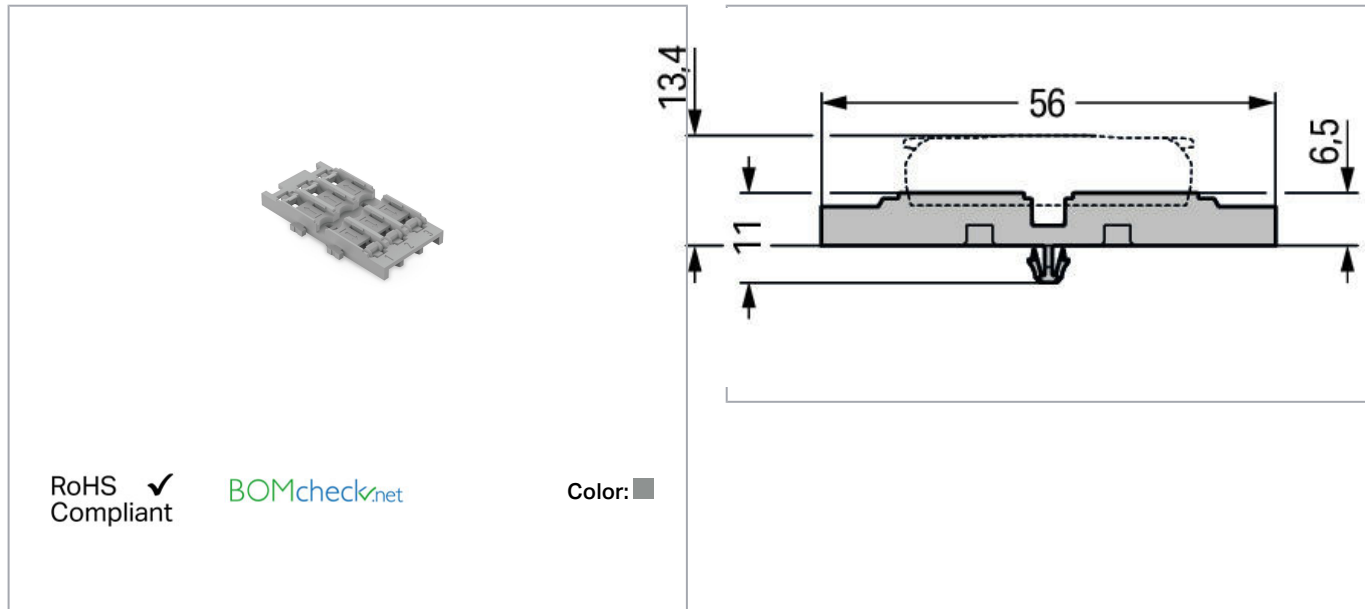


Data sheet | Item number: 221-2533 **NEW**

Mounting carrier; 3-way; for inline splicing connector with lever; with snap-in mounting foot; gray



www.wago.com/221-2533



Data

Physical data

Width	29.8 mm / 1.173 inch
Height from the surface	6.5 mm / 0.256 inch
Depth	56 mm / 2.205 inch

Material data

Color	gray
Weight	4.4 g

Commercial data

Packaging type	BOX
Country of origin	CN
GTIN	4055144066456
Customs tariff number	39269097900

Subject to changes. Please also observe the further product documentation!

WAGO Kontakttechnik GmbH & Co. KG
Hansastr. 27
32423 Minden
Phone: +49571 887-0 | Fax: +49571 887-169
Email: info.de@wago.com | Web: www.wago.com

Do you have any questions about our products?
We are always happy to take your call at +49 (571) 887-44222.


Compatible products


Marking accessories

	Item no.: 210-334 Marking strips; as a DIN A4 sheet; Strip width 5 mm; Strip length 182 mm; plain; Self-adhesive; white	www.wago.com/210-334
--	---	--

assembling

	Item no.: 209-119 Fixing screw; for 209-120 mounting carrier	www.wago.com/209-119
--	--	--

	Item no.: 209-120 Mounting foot; can be snapped on terminal blocks with snap-in mounting foot; for mounting on relay-modules; 6.4 mm wide; gray	www.wago.com/209-120
--	---	--

	Item no.: 209-123 Mounting foot with screw; can be screwed on terminal blocks with fixing flange; 6.4 mm wide; gray	www.wago.com/209-123
--	---	--

Downloads

Documentation

Additional Information

Technical explanations	03.04.2019	pdf 2.2 MB	Download
------------------------	------------	---------------	----------

Environmental Product Compliance

Compliance Search

Environmental Product Compliance 221-2533	URL	Download
Mounting carrier; 3-way; for inline splicing connector with lever; with snap-in mounting foot; gray		

Installation Notes

Subject to changes. Please also observe the further product documentation!