



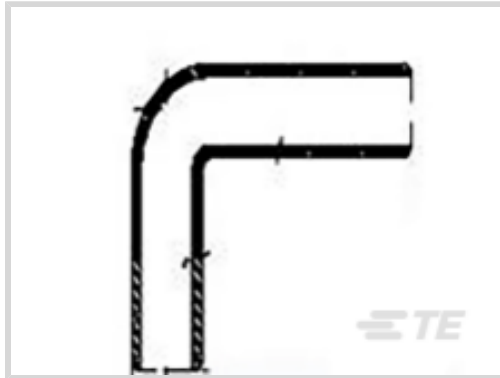
RAYCHEM

TE Internal #: 853428-000

Right Angle, Size 220A, 25, 25, Adhesive Purchased Separately
 Adhesive Requirement, -75 – 150 °C [-103 – 302 °F], Heat Shrink
 Boots

[View on TE.com >](#)

Wire Protection & Management > Heat Shrink Shapes > Heat Shrink Boots



Body Orientation: **Right Angle**

Molded Part Shape Code: **220A**

Lipped: **No**

Material Code: **25**

Material Systems Code: **25**

Features

Configuration Features

| | |
|----------------------|-------------------------------|
| Lipped | No |
| Adhesive Requirement | Adhesive Purchased Separately |

Body Features

| | |
|--------------------------|------------------------------------|
| Primary Product Material | Fluid Resistant Modified Elastomer |
| Material Code | 25 |
| Material Systems Code | 25 |

Housing Features

| | |
|------------------|-------------|
| Body Orientation | Right Angle |
|------------------|-------------|

Usage Conditions

| | |
|-----------------------------|---|
| Operating Temperature Range | -75 – 150 °C[-103 – 302 °F] |
| Resistance Protection | Long-Term Fluid Exposure at High Temperatures |

Other

| | |
|------------------------|------|
| Molded Part Shape Code | 220A |
|------------------------|------|

Product Compliance

[For compliance documentation, visit the product page on TE.com>](#)




| | |
|---|---|
| EU RoHS Directive 2011/65/EU | Compliant |
| EU ELV Directive 2000/53/EC | Compliant |
| China RoHS 2 Directive MIIT Order No 32, 2016 | No Restricted Materials Above Threshold |
| EU REACH Regulation (EC) No. 1907/2006 | Current ECHA Candidate List: JUNE 2024 (241) Candidate List Declared Against: JUNE 2024 (241) Does not contain REACH SVHC |
| Halogen Content | Not Low Halogen - contains Br or Cl > 900 ppm. |
| Solder Process Capability | Not applicable for solder process capability |

Product Compliance Disclaimer

This information is provided based on reasonable inquiry of our suppliers and represents our current actual knowledge based on the information they provided. This information is subject to change. The part numbers that TE has identified as EU RoHS compliant have a maximum concentration of 0.1% by weight in homogenous materials for lead, hexavalent chromium, mercury, PBB, PBDE, DBP, BBP, DEHP, DIBP, and 0.01% for cadmium, or qualify for an exemption to these limits as defined in the Annexes of Directive 2011/65/EU (RoHS2). Finished electrical and electronic equipment products will be CE marked as required by Directive 2011/65/EU. Components may not be CE marked. Additionally, the part numbers that TE has identified as EU ELV compliant have a maximum concentration of 0.1% by weight in homogenous materials for lead, hexavalent chromium, and mercury, and 0.01% for cadmium, or qualify for an exemption to these limits as defined in the Annexes of Directive 2000/53/EC (ELV). Regarding the REACH Regulation, the information TE provides on SVHC in articles for this part number is based on the latest European Chemicals Agency (ECHA) 'Guidance on requirements for substances in articles' posted at this URL: <https://echa.europa.eu/guidance-documents/guidance-on-reach>

Customers Also Bought



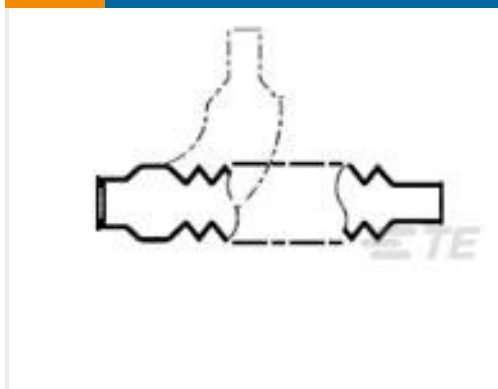
TE Part #807988-000
202D921-4-00-0



TE Part #809220-000
222D263-4-32-0



TE Part #097370-000
TTVF200YW-100



TE Part #806089-000
202C642-71-0



TE Part #890113-000
S1048-TAPE-1X100-FT



TE Part #890103-000
S1124-TAPE-0.75X100-FT



TE Part #816870-000
SO63-4-55-20-90



TE Part #666984-000
234A111-25-00-0

Documents

Product Drawings



[220A012-25-0](#)

English

[Datasheets & Catalog Pages](#)

[Raychem Molded Parts Visual Guide](#)

English