

2209129-1 ✓ ACTIVE

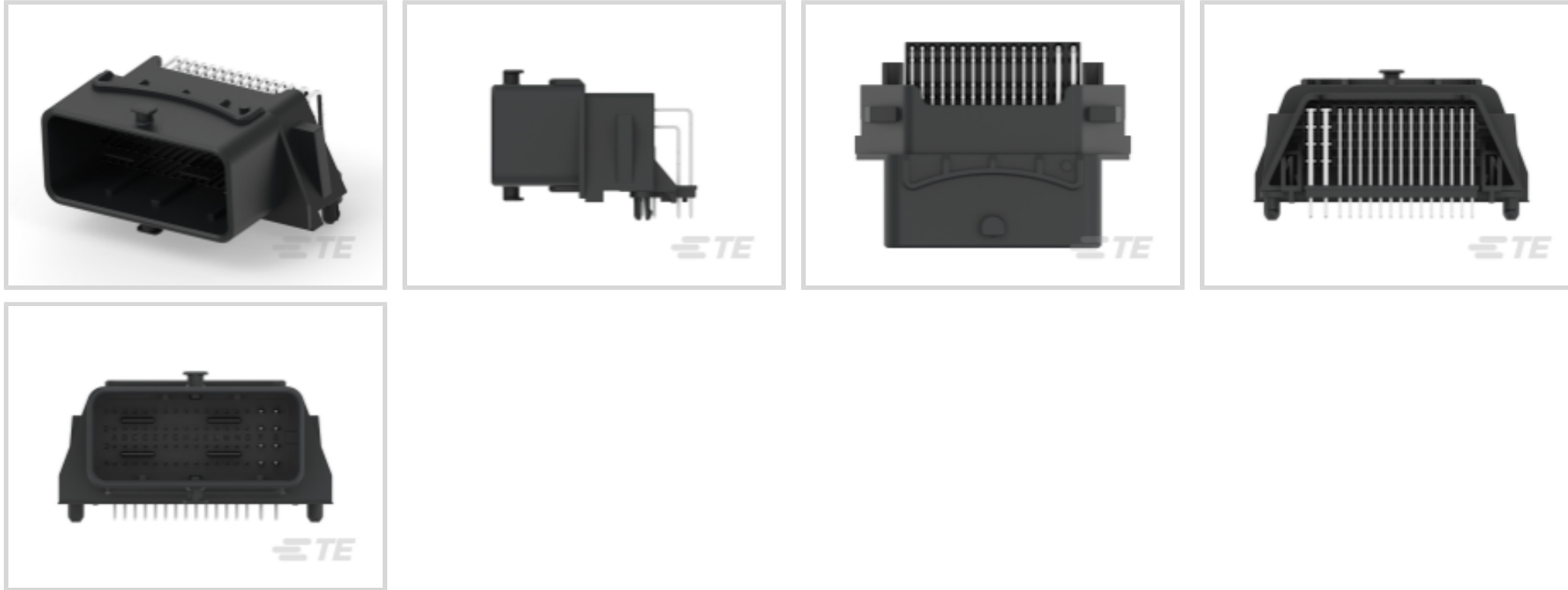


TE Internal #: 2209129-1

PCB Mount Header, Right Angle, 64 Position, 3.7 mm / 2.5 mm [.098 in / .146 in] Centerline, Fully Shrouded, Tin (Sn), Through Hole - Solder

[View on TE.com >](#)

Connectors > PCB Connectors > PCB Headers & Receptacles



Number of Positions: 64

Centerline (Pitch): 2.5 mm, 3.7 mm [.098 in, .146 in]

Sealable: No

PCB Mount Orientation: Right Angle

Number of Rows: 4

Features

Product Type Features

PCB Connector Assembly Type	PCB Mount Header
Header Type	Fully Shrouded
Sealable	No
Connector & Contact Terminates To	Printed Circuit Board

Configuration Features

Number of Positions	64
PCB Mount Orientation	Right Angle
Number of Rows	4

Body Features

Primary Product Color	Black
-----------------------	-------

Contact Features

Contact Type	Pin, Tab
Contact Mating Area Plating Material	Tin (Sn)

Termination Features



Termination Method to Printed Circuit Board	Through Hole - Solder
---	-----------------------

Mechanical Attachment

Mating Alignment	With
PCB Mount Alignment	With
PCB Mount Retention	With
Connector Mounting Type	Board Mount

Housing Features

Centerline (Pitch)	2.5 mm, 3.7 mm [.098 in] [.146 in]
--------------------	------------------------------------

Usage Conditions

Operating Temperature (Max)	125 °C [257 °F]
Operating Temperature Range	-40 – 125 °C [-40 – 257 °F]

Operation/Application

Circuit Application	Power & Signal
---------------------	----------------

Packaging Features

Packaging Method	Box
------------------	-----

Product Compliance

[For compliance documentation, visit the product page on TE.com>](#)


EU RoHS Directive 2011/65/EU	Compliant
EU ELV Directive 2000/53/EC	Compliant
China RoHS 2 Directive MIIT Order No 32, 2016	No Restricted Materials Above Threshold
EU REACH Regulation (EC) No. 1907/2006	Current ECHA Candidate List: JAN 2024 (240) Candidate List Declared Against: JUNE 2023 (235) Does not contain REACH SVHC
Halogen Content	Low Halogen - Br, Cl, F, I < 900 ppm per homogenous material. Also BFR/CFR/PVC Free
Solder Process Capability	Not reviewed for solder process capability

Product Compliance Disclaimer

This information is provided based on reasonable inquiry of our suppliers and represents our current actual knowledge based on the information they provided. This information is subject to change. The part numbers that TE has identified as EU RoHS compliant have a maximum concentration of 0.1% by weight in homogenous materials for lead, hexavalent chromium, mercury, PBB, PBDE, DBP, BBP, DEHP, DIBP, and 0.01% for cadmium, or qualify for an exemption to these limits as defined in the Annexes of Directive 2011/65/EU (RoHS2). Finished electrical and electronic equipment products will be CE marked as required by Directive 2011/65/EU. Components may not be CE marked. Additionally, the part

numbers that TE has identified as EU ELV compliant have a maximum concentration of 0.1% by weight in homogenous materials for lead, hexavalent chromium, and mercury, and 0.01% for cadmium, or qualify for an exemption to these limits as defined in the Annexes of Directive 2000/53/EC (ELV). Regarding the REACH Regulation, the information TE provides on SVHC in articles for this part number is based on the latest European Chemicals Agency (ECHA) 'Guidance on requirements for substances in articles' posted at this URL: <https://echa.europa.eu/guidance-documents/guidance-on-reach>

Compatible Parts



TE Part # 2050859-1
CMC 64PIN JOINTER HOUSING

Customers Also Bought



TE Part #6473711-1
SUPER SEAL 26POS CAP ASSY H AU



TE Part #173858-1
070 MULTILOCK CAP ASSY 12P



TE Part #2290247-1
0.50 HSL CONN CAP ASSY KEY-A W /O FLANGE



TE Part #2290247-4
4POS,0.50 HSL,90 DEG,COD D



TE Part #2290247-3
4POS,0.50 HSL,90 DEG,COD C



TE Part #2317537-1
2X11POS,NANOMQS,ASSY,180DEG, SMD,COD A



TE Part #2321775-1
4P,MATE-AX,HDR ASSY,90DEG,COD A



TE Part #2334366-2
32POS,HYBRID,HDR ASSY,180DEG



TE Part #2374035-1
121POS,HYBRID,HDR ASSY,90DEG, SLDR,COD 1



TE Part #2389701-1
40POS,TAB0.5X0.4,HDR ASSY,90DEG, COD A

Documents

[Product Drawings](#)



CMC 64PIN HEADER CONNECTOR ASSEMBLY

English

CAD Files

3D PDF

3D

Customer View Model

[ENG_CVM_CVM_2209129-1_A.2d_dxf.zip](#)

English

Customer View Model

[ENG_CVM_CVM_2209129-1_A.3d_igs.zip](#)

English

Customer View Model

[ENG_CVM_CVM_2209129-1_A.3d_stp.zip](#)

English

By downloading the CAD file I accept and agree to the [Terms and Conditions](#) of use.