

TE Internal #: 2204273-2

Busbar Connectors, Bus Bar-to-Bus Bar, 1 Position, Bus Bar, Stainless Steel, Mating Alignment, Screw Mount, Box & Tray, In-Line, Copper Alloy, Power

[View on TE.com >](#)



Connectors > Power Connectors > Busbar Connectors



Connector System: **Bus Bar-to-Bus Bar**

Number of Positions: **1**

Connector & Contact Terminates To: **Bus Bar**

Mating Conductor Thickness: **3 mm [.118 in]**

Housing Material: **Stainless Steel**

Features

Product Type Features

Connector & Housing Type	Receptacle
Connector System	Bus Bar-to-Bus Bar
Connector & Contact Terminates To	Bus Bar

Configuration Features

Number of Positions	1
---------------------	---

Electrical Characteristics

Operating Voltage	48 VAC
-------------------	--------

Body Features

Bus Bar Contact Plating Material	Silver
----------------------------------	--------

Contact Features

Contact Shape & Form	Multiple Contact Point
Contact Underplating Material	Nickel
Contact Base Material	Copper Alloy
Contact Current Rating (Max)	500 A



Bus Bar Contact Style	Socket
-----------------------	--------

Mechanical Attachment

Mating Alignment	With
------------------	------

Bus Bar Connector Mounting Retention	With
--------------------------------------	------

PCB Mount Retention Type	Screw Mount
--------------------------	-------------

Bus Bar Mount Retention Type	Screw Mount
------------------------------	-------------

Bus Bar Mount Orientation	In-Line
---------------------------	---------

Housing Features

Housing Material	Stainless Steel
------------------	-----------------

Usage Conditions

Operating Temperature Range	-55 – 105 °C[-67 – 221 °F]
-----------------------------	----------------------------

Operation/Application

Circuit Application	Power
---------------------	-------

Packaging Features

Packaging Method	Box & Tray
------------------	------------

Other

Mating Conductor Thickness	3 mm[.118 in]
----------------------------	---------------

Product Compliance

[For compliance documentation, visit the product page on TE.com>](#)

EU RoHS Directive 2011/65/EU	Compliant
------------------------------	-----------

EU ELV Directive 2000/53/EC	Compliant
-----------------------------	-----------

China RoHS 2 Directive MIIT Order No 32, 2016	No Restricted Materials Above Threshold
---	---

EU REACH Regulation (EC) No. 1907/2006	Current ECHA Candidate List: JUNE 2024 (241) Candidate List Declared Against: JUNE 2022 (224) Does not contain REACH SVHC
--	---

Halogen Content	Low Halogen - Br, Cl, F, I < 900 ppm per homogenous material. Also BFR/CFR/PVC Free
-----------------	---

Solder Process Capability	Not applicable for solder process capability
---------------------------	--

Product Compliance Disclaimer



This information is provided based on reasonable inquiry of our suppliers and represents our current actual knowledge based on the information they provided. This information is subject to change. The part numbers that TE has identified as EU RoHS compliant have a maximum concentration of 0.1% by weight in homogenous materials for lead, hexavalent chromium, mercury, PBB, PBDE, DBP, BBP, DEHP, DIBP, and 0.01% for cadmium, or qualify for an exemption to these limits as defined in the Annexes of Directive 2011/65/EU (RoHS2). Finished electrical and electronic equipment products will be CE marked as required by Directive 2011/65/EU. Components may not be CE marked. Additionally, the part numbers that TE has identified as EU ELV compliant have a maximum concentration of 0.1% by weight in homogenous materials for lead, hexavalent chromium, and mercury, and 0.01% for cadmium, or qualify for an exemption to these limits as defined in the Annexes of Directive 2000/53/EC (ELV). Regarding the REACH Regulations, TE's information on SVHC in articles for this part number is still based on the European Chemical Agency (ECHA) 'Guidance on requirements for substances in articles' (Version: 2, April 2011), applying the 0.1% weight on weight concentration threshold at the finished product level. TE is aware of the European Court of Justice ruling of September 10th, 2015 also known as O5A (Once An Article Always An Article) stating that, in case of 'complex object', the threshold for a SVHC must be applied to both the product as a whole and simultaneously to each of the articles forming part of its composition. TE has evaluated this ruling based on the new ECHA "Guidance on requirements for substances in articles" (June 2017, version 4.0) and will be updating its statements accordingly.

Compatible Parts



TE Part # 2204761-1
IN-LINE MOUNT 300A BUSBAR CONN.



TE Part # 2204761-2
IN-LINE MOUNT 300A BUSBAR CONN



TE Part # 2204866-1
RACK 500A (250+&250-) ORV2 Output Conn


Customers Also Bought



TE Part #104742-2
PLUGGABLE BUSBAR 062F2 POWER CONNECTOR



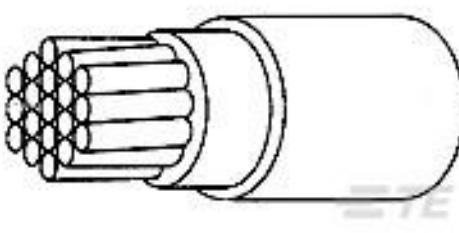
TE Part #9-2176400-7
3540 10K 1%



TE Part #3375573001
ZHI15-95-0



TE Part #2212011-1
PLUGGABLE BUSBAR CONNECT W /CLINCH NUTS



TE Part #1631693001
99M0111-12-2L



TE Part #2204273-1
IN-LINE MOUNT 500A BUSBAR CONN.



TE Part #2176526-1
3503G 2B 51R1 1% 5K RL



TE Part #1676319-3
RN 0805 38K3 0.1% 10PPM 5KRL

Documents

Product Drawings

IN-LINE MOUNT 500A BUSBAR CONN.

English



CAD Files

3D PDF

3D

Customer View Model

[ENG_CVM_CVM_2204273-2_1.2d_dxf.zip](#)

English

Customer View Model

[ENG_CVM_CVM_2204273-2_1.3d_igs.zip](#)

English

Customer View Model

[ENG_CVM_CVM_2204273-2_1.3d_stp.zip](#)

English

By downloading the CAD file I accept and agree to the [Terms and Conditions](#) of use.

Product Specifications

Application Specification

English

Agency Approvals

UL Report

English