

2204188-4 ✓ ACTIVE

MULTI-BEAM | MULTI-BEAM XLE

TE Internal #: 2204188-4

Header, Plug, Board-to-Board, 48 Position, 2.54 mm / 6.35 mm [.1 in / .25 in] Centerline, MULTI-BEAM XLE, Rectangular Power Connectors

[View on TE.com >](#)



Connectors > Power Connectors > Rectangular Power > Rectangular Power Connectors



Rectangular Power Connector Type: **Header**

Connector & Housing Type: **Plug**

Connector System: **Board-to-Board**

Number of Positions: **48**

Centerline (Pitch): **2.54 mm, 6.35 mm [.1 in, .25 in]**

Features

Product Type Features

Header Type	Fully Shrouded
Rectangular Power Connector Type	Header
Connector & Housing Type	Plug
Connector System	Board-to-Board
Sealable	No
Connector & Contact Terminates To	Printed Circuit Board

Configuration Features

Number of Positions	48
PCB Mount Orientation	Right Angle
Number of Power Positions	16
Number of Signal Positions	32
Number of Rows	4

Electrical Characteristics

Operating Voltage	60 VDC, 200 VDC
-------------------	-----------------

Contact Features

Power Contact Base Material	Tin
Contact Underplating Material Thickness	3.05 μ m
Contact Mating Area Plating Material	Gold Flash over Palladium Nickel



Contact Underplating Material	Nickel
-------------------------------	--------

Contact Current Rating (Max)	42 A
------------------------------	------

Contact Retention Within Housing	Without
----------------------------------	---------

Contact Type	Blade, Pin
--------------	------------

PCB Contact Termination Area Plating Material	Tin
---	-----

Contact Mating Area Plating Material Thickness	.076 μm [3 μin]
--	--

Termination Features

Termination Post & Tail Length	3.05 mm[.12 in]
--------------------------------	-----------------

Termination Method to PCB	Through Hole - Press-Fit
---------------------------	--------------------------

Mechanical Attachment

PCB Mount Retention	With
---------------------	------

PCB Mount Retention Type	Boardlock
--------------------------	-----------

Mating Retention Type	Boardlock
-----------------------	-----------

Connector Mounting Type	Board Mount
-------------------------	-------------

Housing Features

Centerline (Pitch)	2.54 mm, 6.35 mm[.1 in][.25 in]
--------------------	---------------------------------

Housing Color	Black
---------------	-------

Housing Material	High Temperature Thermoplastic
------------------	--------------------------------

Dimensions

Row-to-Row Spacing	.1 mm[.003 in]
--------------------	----------------

Usage Conditions

Operating Temperature Range	-20 – 105 °C[-4 – 221 °F]
-----------------------------	---------------------------

Operation/Application

Circuit Application	Power & Signal
---------------------	----------------

Industry Standards

UL Flammability Rating	UL 94V-0
------------------------	----------

Glow Wire Rating	High Temperature Part - Not Glow Wire
------------------	---------------------------------------

Packaging Features

Packaging Method	Tray
------------------	------

Product Compliance

For compliance documentation, visit the product page on [TE.com](https://www.te.com)>



EU RoHS Directive 2011/65/EU	Compliant
EU ELV Directive 2000/53/EC	Not Yet Reviewed
China RoHS 2 Directive MIIT Order No 32, 2016	No Restricted Materials Above Threshold
EU REACH Regulation (EC) No. 1907/2006	Current ECHA Candidate List: JUNE 2024 (241) Candidate List Declared Against: JUN 2018 (191) Does not contain REACH SVHC
Halogen Content	Low Halogen - Br, Cl, F, I < 900 ppm per homogenous material. Also BFR/CFR/PVC Free
Solder Process Capability	Wave solder capable to 265°C

Product Compliance Disclaimer

This information is provided based on reasonable inquiry of our suppliers and represents our current actual knowledge based on the information they provided. This information is subject to change. The part numbers that TE has identified as EU RoHS compliant have a maximum concentration of 0.1% by weight in homogenous materials for lead, hexavalent chromium, mercury, PBB, PBDE, DBP, BBP, DEHP, DIBP, and 0.01% for cadmium, or qualify for an exemption to these limits as defined in the Annexes of Directive 2011/65/EU (RoHS2). Finished electrical and electronic equipment products will be CE marked as required by Directive 2011/65/EU. Components may not be CE marked. Additionally, the part numbers that TE has identified as EU ELV compliant have a maximum concentration of 0.1% by weight in homogenous materials for lead, hexavalent chromium, and mercury, and 0.01% for cadmium, or qualify for an exemption to these limits as defined in the Annexes of Directive 2000/53/EC (ELV). Regarding the REACH Regulation, the information TE provides on SVHC in articles for this part number is based on the latest European Chemicals Agency (ECHA) 'Guidance on requirements for substances in articles' posted at this URL: <https://echa.europa.eu/guidance-documents/guidance-on-reach>

Also in the Series | **MULTI-BEAM XLE**



Customers Also Bought




TE Part #5747844-3
09 MSFL RCPT RA 318 (IN,FM,BL)



TE Part #1-2176070-2
3521 30R 1% 2W



TE Part #3-1630027-0
HSC300 3R2 5%



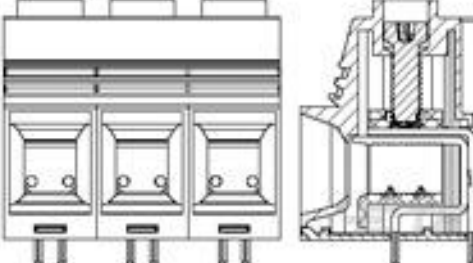
TE Part #2-1622824-0
RL73H 2B R33 1% 5K RL



TE Part #60249-1
FF 250 REC 16-12AWG BR



TE Part #1838893-2
M12 MtI MALE PNL CONN. Sldr Rear (Hex)



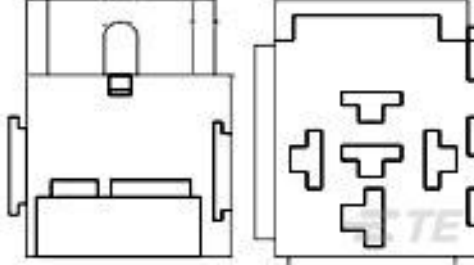
TE Part #1986242-2
Power Connector, 15.0mm, Green, 2 posn



TE Part #5-2176345-2
CRGCQ 1210 180K 1%



TE Part #7-1393302-5
V23134B0052C642-EV-CBOX



TE Part #4-1419106-0
VCF4-1002=CONNECTOR,HOUSING-

Documents

CAD Files

3D PDF

3D

Customer View Model

[ENG_CVM_CVM_2204188-4_1.2d_dxf.zip](#)

English

Customer View Model

[ENG_CVM_CVM_2204188-4_1.3d_igs.zip](#)

English

Customer View Model

[ENG_CVM_CVM_2204188-4_1.3d_stp.zip](#)

English

By downloading the CAD file I accept and agree to the [Terms and Conditions](#) of use.

Product Specifications

Application Specification

English