

Mounting base housing - ICS25-B100X98-V-7035



2203881

<https://www.phoenixcontact.com/pc/products/2203881>

Please be informed that the data shown in this PDF document is generated from our Online Catalog. Please find the complete data in the user documentation. Our General Terms of Use for Downloads are valid.



DIN rail housing, Lower housing part with metal foot catch, Level 1: with vents, width: 25 mm, height: 100 mm, depth: 108.35 mm, color: light grey (7035), cross connection: DIN rail connector (optional), number of positions cross connector: 8

Your advantages

- Flexible use, thanks to the modular system and unique modularity in the connection technology
- Standardized connections such as RJ45, USB, D-SUB and antenna sockets as components that can be integrated
- Optimal space utilization, as well as adaptability of design, colors, and printing
- Eight-position DIN rail connectors with parallel and up to two serial contacts for easy module-to-module communication

Commercial Data

Item number	2203881
Packing unit	10 pc
Minimum order quantity	10 pc
Product Key	ACHAEB
GTIN	4055626465562
Weight per Piece (including packing)	46.57 g
Weight per Piece (excluding packing)	39.5 g
Customs tariff number	85389099
Country of origin	DE

Mounting base housing - ICS25-B100X98-V-7035



2203881

<https://www.phoenixcontact.com/pc/products/2203881>

Technical Data

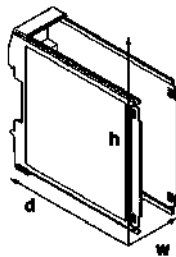
Notes

Assembly instruction:	Refer to the data sheet for the range in the download area.
Recommendation	Material of contact pads for bus connector, galvanic gold (hard gold)

Product properties

Product type	Lower part of the housing
Max. number of positions	24 (pitch: 5 mm) 30 (pitch: 3.5 mm)
Number of rows	4
Type	Lower housing part with metal foot catch
Housing type	DIN rail housing
Ventilation openings present	yes
Housing series	ICS 3 (Both sides)

Dimensions

Dimensional drawing	
Width	25 mm
Height	100 mm
Depth	108.35 mm
Depth from top edge of DIN rail to support point on upper part	98.15 mm
Dimensions	25 mm x 100 mm x 110 mm (Lower housing part from the top edge of the DIN rail with upper housing part) 25 mm x 100 mm x 116.7 mm (Lower housing part with upper housing part)

PCB design

PCB thickness	1.4 mm ... 1.8 mm
---------------	-------------------

Material specifications

Color	light grey (7035)
Flammability rating according to UL 94	V0
CTI according to IEC 60112	600
Surface characteristics	untreated
Housing material	Polyamide

Environmental and real-life conditions

Power dissipation single housing for 20 °C

Ambient temperature	20 °C
Reduction factor	1
Mounting position	vertical
Power dissipation	17 W

Power dissipation single housing for 30 °C

Ambient temperature	30 °C
Reduction factor	0.81
Mounting position	vertical
Power dissipation	13.5 W

Power dissipation single housing for 40 °C

Ambient temperature	40 °C
Reduction factor	0.67
Mounting position	vertical
Power dissipation	11.4 W

Power dissipation single housing for 50 °C

Ambient temperature	50 °C
Reduction factor	0.53
Mounting position	vertical
Power dissipation	9 W

Power dissipation single housing for 60 °C

Ambient temperature	60 °C
Reduction factor	0.41
Mounting position	vertical
Power dissipation	7 W

Power dissipation single housing for 70 °C

Ambient temperature	70 °C
Reduction factor	0.31
Mounting position	vertical
Power dissipation	5.3 W

Vibration test

Specification	IEC 60068-2-6:2007-12
Frequency	10 - 150 - 10 Hz
Sweep speed	1 octave/min
Amplitude	0.15 mm (10 Hz ... 58.1 Hz)
Acceleration	2g (58.1 Hz ... 150 Hz)
Test duration per axis	2.5 h
Test directions	X-, Y- and Z-axis

Mounting base housing - ICS25-B100X98-V-7035



2203881

<https://www.phoenixcontact.com/pc/products/2203881>

Glow-wire test

Specification	IEC 60695-2-11:2014-02
Temperature	850 °C
Time of exposure	30 s

Thermal stability / ball thrust test

Specification	IEC 60695-10-2:2014-02
Temperature	125 °C
Test duration	1 h
Force	20 N

Mechanical strength / tumbling barrel

Specification	IEC 60068-2-31:2008-05
Height of fall	50 cm
Frequency	50

Shocks

Specification	IEC 60068-2-27:2008-02
Pulse shape	Semi-sinusoidal
Acceleration	15g
Shock duration	11 ms
Number of shocks per direction	3
Test directions	X-, Y- and Z-axis (pos. and neg.)

Test for substances that would hinder coating with paint or varnish

Specification	VDMA 24364:2018-05
Result	Test passed

Degree of protection (IP code)

Specification	IEC 60529:1989-11 + AMD 1:1999-11 + AMD 2:2013-08
Result, degree of protection, IP code	IP20

Ambient conditions

Max. IP code to attain	IP20
Ambient temperature (operation)	-40 °C ... 105 °C (depending on power dissipation)
Ambient temperature (storage/transport)	-40 °C ... 55 °C
Ambient temperature (assembly)	-5 °C ... 100 °C
Relative humidity (storage/transport)	80 % (maximum)

PCB data

Number of PCB holders	2
Type of PCB mount	Latching
Thickness of the PCB	1.4 mm ... 1.8 mm

Mounting

Mounting type	DIN rail mounting
---------------	-------------------

Mounting base housing - ICS25-B100X98-V-7035



2203881

<https://www.phoenixcontact.com/pc/products/2203881>

Mounting position	Vertical (horizontal DIN rail)
-------------------	--------------------------------

Packaging specifications

Type of packaging	packed in cardboard
Outer packaging type	Carton

Drawings

Dimensional drawing



Schematic figure for illustrating the item dimensions. The figure is not of the desired product. For further details, refer to the product drawings in the "Downloads" tab.

Mounting base housing - ICS25-B100X98-V-7035



2203881

<https://www.phoenixcontact.com/pc/products/2203881>

Classifications

ECLASS

ECLASS-9.0	27182702
ECLASS-10.0.1	27182702
ECLASS-11.0	27182702

ETIM

ETIM 8.0	EC001031
----------	----------

UNSPSC

UNSPSC 21.0	31261500
-------------	----------

Mounting base housing - ICS25-B100X98-V-7035



2203881

<https://www.phoenixcontact.com/pc/products/2203881>

Environmental Product Compliance

China RoHS	Environmentally friendly use period: unlimited = EFUP-e
	No hazardous substances above threshold values

Mounting base housing - ICS25-B100X98-V-7035

2203881

<https://www.phoenixcontact.com/pc/products/2203881>

Accessories

Upper part of housing

Upper part of housing - ICS25-C100X12-7035 - 2203882

<https://www.phoenixcontact.com/pc/products/2203882>

DIN rail housing, Upper part, closed, width: 25 mm, height: 100 mm, depth: 14.35 mm, color: light grey (7035)



Upper part of housing

Upper part of housing - ICS25-TL100X12-7035 - 2203883

<https://www.phoenixcontact.com/pc/products/2203883>

DIN rail housing, Upper part, with transparent hinged cover, width: 25 mm, height: 101 mm, depth: 14.35 mm, color: light grey (7035)



Mounting base housing - ICS25-B100X98-V-7035



2203881

<https://www.phoenixcontact.com/pc/products/2203881>

PCB header

PCB header - ICC25-H/4L5,0-7035 - 2203902

<https://www.phoenixcontact.com/pc/products/2203902>



PCB headers, nominal cross section: 2.5 mm², color: light grey, nominal current: 16 A, rated voltage (III/2): 320 V, type of contact: Male connector, number of potentials: 4, number of rows: 1, number of positions: 4, number of connections: 4, product range: ICC...-H/..L5,0, pitch: 5 mm, mounting: Wave soldering, pin layout: Linear pinning, solder pin [P]: 3.5 mm, number of solder pins per potential: 1, Pin connector pattern alignment: Standard, locking: Snap-in locking, mounting: without, type of packaging: Box packaging, Product with pin output on left side

PCB header

PCB header - ICC25-H/4R5,0-7035 - 2203903

<https://www.phoenixcontact.com/pc/products/2203903>



PCB headers, nominal cross section: 2.5 mm², color: light grey, nominal current: 16 A, rated voltage (III/2): 320 V, type of contact: Male connector, number of potentials: 4, number of rows: 1, number of positions: 4, number of connections: 4, product range: ICC...-H/..R5,0, pitch: 5 mm, mounting: Wave soldering, pin layout: Linear pinning, solder pin [P]: 3.5 mm, number of solder pins per potential: 1, Pin connector pattern alignment: Standard, locking: Snap-in locking, mounting: without, type of packaging: Box packaging, Product with pin output on right side

Mounting base housing - ICS25-B100X98-V-7035

2203881

<https://www.phoenixcontact.com/pc/products/2203881>

Printed-circuit board connector

Printed-circuit board connector - PSPT 2,5/ 4-ST KMGY - 2202344

<https://www.phoenixcontact.com/pc/products/2202344>



PCB connector, nominal cross section: 2.5 mm², color: light grey, nominal current: 16 A, rated voltage (III/2): 300 V, contact surface: Tin, type of contact: Female connector, number of potentials: 4, number of rows: 1, number of positions: 4, number of connections: 4, product range: PSPT 2,5/..-ST, pitch: 5 mm, connection method: Push-in spring connection, conductor/PCB connection direction: 0 °, locking clip: - Locking clip, locking: without, mounting: without, type of packaging: packed in cardboard, Color of the spring lever: orange

Printed-circuit board connector

Printed-circuit board connector - MSTBT 2,5 HC/ 4-STP GY7035 - 2200332

<https://www.phoenixcontact.com/pc/products/2200332>



PCB connector, nominal cross section: 2.5 mm², color: light grey, nominal current: 16 A, rated voltage (III/2): 320 V, contact surface: Tin, type of contact: Female connector, number of rows: 1, number of positions: 4, product range: MSTBT 2,5 HC/..-STP, pitch: 5 mm, connection method: Screw connection with tension sleeve, conductor/PCB connection direction: 0 °, locking clip: - Locking clip, plug-in system: COMBICON MSTB 2,5 HC, locking: without, mounting: without

Mounting base housing - ICS25-B100X98-V-7035

2203881

<https://www.phoenixcontact.com/pc/products/2203881>

Connection plate

Connection plate - ICS25-F22S-7035 - 2203890

<https://www.phoenixcontact.com/pc/products/2203890>



DIN rail housing, ICS filler, closed, width: 25 mm, height: 7.25 mm, depth: 22.4 mm, color: light grey (7035)

Connection plate

Connection plate - ICS25-F45S-7035 - 2203891

<https://www.phoenixcontact.com/pc/products/2203891>



DIN rail housing, ICS filler, closed, width: 25 mm, height: 7.25 mm, depth: 44.9 mm, color: light grey (7035)

Mounting base housing - ICS25-B100X98-V-7035

2203881

<https://www.phoenixcontact.com/pc/products/2203881>

Connection plate

Connection plate - ICS25-F22V-7035 - 1079495

<https://www.phoenixcontact.com/pc/products/1079495>



DIN rail housing, ICS filler, with vents, width: 25 mm, height: 7.25 mm, depth: 22.4 mm, color: light grey (7035)

Connection plate

Connection plate - ICS25-F45V-7035 - 1079492

<https://www.phoenixcontact.com/pc/products/1079492>



DIN rail housing, ICS filler, with vents, width: 25 mm, height: 7.25 mm, depth: 44.9 mm, color: light grey (7035)

Mounting base housing - ICS25-B100X98-V-7035

2203881

<https://www.phoenixcontact.com/pc/products/2203881>

Connection plate

Connection plate - ICS25-F22J-7035 - 2203895

<https://www.phoenixcontact.com/pc/products/2203895>



DIN rail housing, ICS filler, with RJ45 function cutout, width: 25 mm, height: 7.25 mm, depth: 22.4 mm, color: light grey (7035)

Connection plate

Connection plate - ICS25-F22U-7035 - 1053046

<https://www.phoenixcontact.com/pc/products/1053046>



DIN rail housing, ICS filler, with USB function cutout, width: 25 mm, height: 7.25 mm, depth: 22.4 mm, color: light grey (7035)

Mounting base housing - ICS25-B100X98-V-7035

2203881

<https://www.phoenixcontact.com/pc/products/2203881>

Connection plate

Connection plate - ICS25-F22A-7035 - 2203894

<https://www.phoenixcontact.com/pc/products/2203894>



DIN rail housing, ICS filler, with antenna function cutout, width: 25 mm, height: 7.25 mm, depth: 22.4 mm, color: light grey (7035)

Connection plate

Connection plate - ICS25-F45D15-7035 - 2203896

<https://www.phoenixcontact.com/pc/products/2203896>



DIN rail housing, ICS filler, with D-SUB 15 function cutout, width: 25 mm, height: 7.25 mm, depth: 44.9 mm, color: light grey (7035)

Mounting base housing - ICS25-B100X98-V-7035

2203881

<https://www.phoenixcontact.com/pc/products/2203881>

DIN rail bus connectors

DIN rail bus connectors - TBUS8-25,0-PPPPPPP-7035 - 2202891

<https://www.phoenixcontact.com/pc/products/2202891>



DIN rail connector, color: light grey, nominal current: 6 A (parallel contacts), rated voltage (III/2): 32 V, number of positions: 8, pitch: 2.54 mm, mounting: DIN rail mounting, locking: without, mounting: without, type of packaging: packed in cardboard, Item with gold-plated contacts, bus connectors for connecting with electronics housings, 8 parallel contacts

DIN rail bus connectors

DIN rail bus connectors - TBUS8-25,0-PPPPPPS-7035 - 2202890

<https://www.phoenixcontact.com/pc/products/2202890>



DIN rail connector, color: light grey, nominal current: 6 A, 4 A (parallel contacts) (Serial contacts), rated voltage (III/2): 32 V, number of positions: 8, pitch: 2.54 mm, mounting: DIN rail mounting, locking: without, mounting: without, type of packaging: packed in cardboard, Item with gold-plated contacts, bus connectors for connecting with electronics housings, 7 parallel contacts/1 serial contact

Mounting base housing - ICS25-B100X98-V-7035

2203881

<https://www.phoenixcontact.com/pc/products/2203881>

DIN rail bus connectors

DIN rail bus connectors - TBUS8-25,0-PPPPPPSS-7035 - 2202895

<https://www.phoenixcontact.com/pc/products/2202895>



DIN rail connector, color: light grey, nominal current: 6 A, 4 A (parallel contacts) (Serial contacts), rated voltage (III/2): 32 V, number of positions: 8, pitch: 2.54 mm, mounting: DIN rail mounting, locking: without, mounting: without, type of packaging: packed in cardboard, Item with gold-plated contacts, bus connectors for connecting with electronics housings, 6 parallel contacts/2 serial contacts

DIN rail bus connectors

DIN rail bus connectors - TBUS8-25,0-PPPPSSSS-7035 - 1156781

<https://www.phoenixcontact.com/pc/products/1156781>



DIN rail connector, color: light grey, nominal current: 6 A, 4 A (parallel contacts) (Serial contacts), rated voltage (III/2): 32 V, number of positions: 8, pitch: 2.54 mm, mounting: DIN rail mounting, locking: without, mounting: without, type of packaging: packed in cardboard, Item with gold-plated contacts, bus connectors for connecting with electronics housings, 4 parallel contacts/4 serial contacts

Mounting base housing - ICS25-B100X98-V-7035



2203881

<https://www.phoenixcontact.com/pc/products/2203881>

Upper housing part with display

Upper housing part with display - ICS25-C100X12-DKP-7035 - 1215686

<https://www.phoenixcontact.com/pc/products/1215686>

DIN rail housing, Upper part, integrated 0.96" display, resolution: 80 x 160 Pixel(s), interface: 4-wire SPI half duplex, width: 25 mm, height: 100 mm, depth: 14.35 mm, color: light grey (7035)



Membrane keypad

Membrane keypad - KP ICS25X100 K4 C3 P5 - 1215683

<https://www.phoenixcontact.com/pc/products/1215683>

Membrane keypad for ICS25x100, self-adhesive, conductive silver technology, 4 keys, 2 colors, 5-position connection lug, pitch: 1.0 mm, transparent window for 0.96" TFT display



Phoenix Contact 2023 © - all rights reserved

<https://www.phoenixcontact.com>

PHOENIX CONTACT GmbH & Co. KG

Flachsmarktstraße 8

D-32825 Blomberg

+49 (0) 5235-3 00

info@phoenixcontact.com