

2201289-1 ✓ ACTIVE

TE Internal #: 2201289-1

Automotive Terminals, Receptacle, Mating Tab Width 1 mm [.039 in], Tab Thickness .64 mm [.025 in], 22 – 20 AWG Wire Size, .3 – .5 mm² Wire Size

[View on TE.com >](#)



Terminals & Splices > Automotive Terminals



Terminal Type: **Receptacle**

Mating Tab Width: **1 mm [.039 in]**

Mating Tab Thickness: **.64 mm [.025 in]**

Terminal Transmits: **0 – 24 A (Low Power)**

Wire Size: **22 – 20 AWG**

Features

Product Type Features

Sealable	Yes
Primary Locking Feature	Clean Body

Body Features

Terminal Seal Type	Family Seal
--------------------	-------------

Contact Features

Contact Size	1mm
Contact Fabrication	Stamped & Formed
Crimp Type	F-Crimp
Terminal Type	Receptacle
Mating Tab Width	1 mm [.039 in]
Mating Tab Thickness	.64 mm [.025 in]
Interface Plating	Tin (Sn)

Termination Features

Termination Method to Wire & Cable	Crimp
------------------------------------	-------



Product Terminates To

Wire

Dimensions

Compatible Insulation Diameter Range

1.1 – 1.7 mm [.043 – .067 in]

Wire Size

.3 – .5 mm²

Wire Size Search

20 AWG, 21 AWG, 22 AWG

Usage Conditions

Insulation Option

Uninsulated

Operation/Application

Compatible With Wire Base Material

Copper

Packaging Features

Packaging Quantity

9000

Packaging Method

Reel

Other

Terminal Transmits

0 – 24 A (Low Power)

Product Compliance

For compliance documentation, visit the product page on [TE.com](https://www.te.com)>

EU RoHS Directive 2011/65/EU

Compliant

EU ELV Directive 2000/53/EC

Compliant

China RoHS 2 Directive MIIT Order No 32, 2016

No Restricted Materials Above Threshold

EU REACH Regulation (EC) No. 1907/2006

Current ECHA Candidate List: JUNE 2023 (235)
 Candidate List Declared Against: JUNE 2023 (235)
 Does not contain REACH SVHC

Halogen Content

Low Halogen - Br, Cl, F, I < 900 ppm per homogenous material. Also BFR/CFR/PVC Free

Solder Process Capability

Not applicable for solder process capability

Product Compliance Disclaimer

This information is provided based on reasonable inquiry of our suppliers and represents our current actual knowledge based on the information they provided. This information is subject to change. The part numbers that TE has identified as EU RoHS compliant have a maximum concentration of 0.1% by weight in homogenous materials for lead, hexavalent chromium, mercury, PBB, PBDE, DBP, BBP, DEHP, DIBP, and 0.01% for cadmium, or qualify for an exemption to these limits as defined in the Annexes of Directive 2011/65/EU (RoHS2). Finished electrical and electronic equipment products will be CE marked as required by Directive 2011/65/EU. Components may not be CE marked. Additionally, the part numbers that TE has identified as EU ELV compliant have a maximum concentration of 0.1% by weight in homogenous materials for lead, hexavalent chromium, and mercury, and 0.01% for cadmium, or qualify for an exemption to these limits

as defined in the Annexes of Directive 2000/53/EC (ELV). Regarding the REACH Regulation, the information TE provides on SVHC in articles for this part number is based on the latest European Chemicals Agency (ECHA) 'Guidance on requirements for substances in articles' posted at this URL: <https://echa.europa.eu/guidance-documents/guidance-on-reach>

Compatible Parts




TE Part # 1554461-2
33POS,1.0 SERIES,REC HSG ASSY,SLD



TE Part # 2290490-1
16POS,1.0 SERIES,REC HSG ASSY,SLD

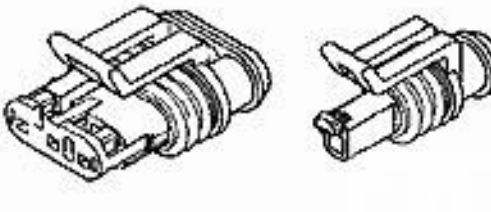


TE Part # 2836075-1
OCEAN_2.0_APPLICATOR-S-055F0700



TE Part # 7-2836983-7
OC-055F0700-752-CRIMP TOOLING KIT

Customers Also Bought



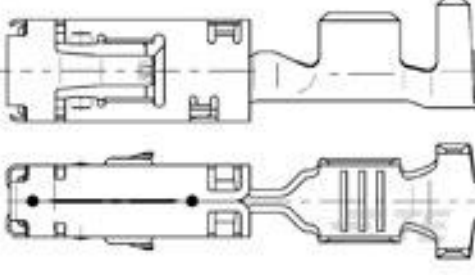
TE Part #282080-2
AMP SUPERSEAL 1.5 SERIES 2P PL




TE Part #170014-6
FF 110 TAB 20-16AWG PTBR



TE Part #900319-1
PL 312 FLAG REC 20-18AWG 0.32X24.9 PTPBR



TE Part #967543-1
SENSOR FLA-KONT 2,8



TE Part #1-2236793-3
RING TONGUE TERMINAL



TE Part #4-2112780-4
18POS, MIXED,REC HSG,ASSY,SEAL



TE Part #1981562-1
1.0 SERIES CAVITY PLUG



TE Part #1939350-1
0.5 SEALED RECEPTACLE CONTACT Au



TE Part #2290490-1
16POS,1.0 SERIES,REC HSG ASSY,SLD

Documents

Product Drawings

1.0 SEALED RECEPTACLE CONTACT SS-SIZE SN

Japanese



CAD Files

3D PDF

3D

Customer View Model

[ENG_CVM_CVM_2201289-1_B.2d_dxf.zip](#)

English

Customer View Model

[ENG_CVM_CVM_2201289-1_B.3d_igs.zip](#)

English

Customer View Model

[ENG_CVM_CVM_2201289-1_B.3d_stp.zip](#)

English

By downloading the CAD file I accept and agree to the [Terms and Conditions](#) of use.

Product Specifications

Application Specification

Japanese

Instruction Sheets

Instruction Sheet (non U.S.)

Japanese