

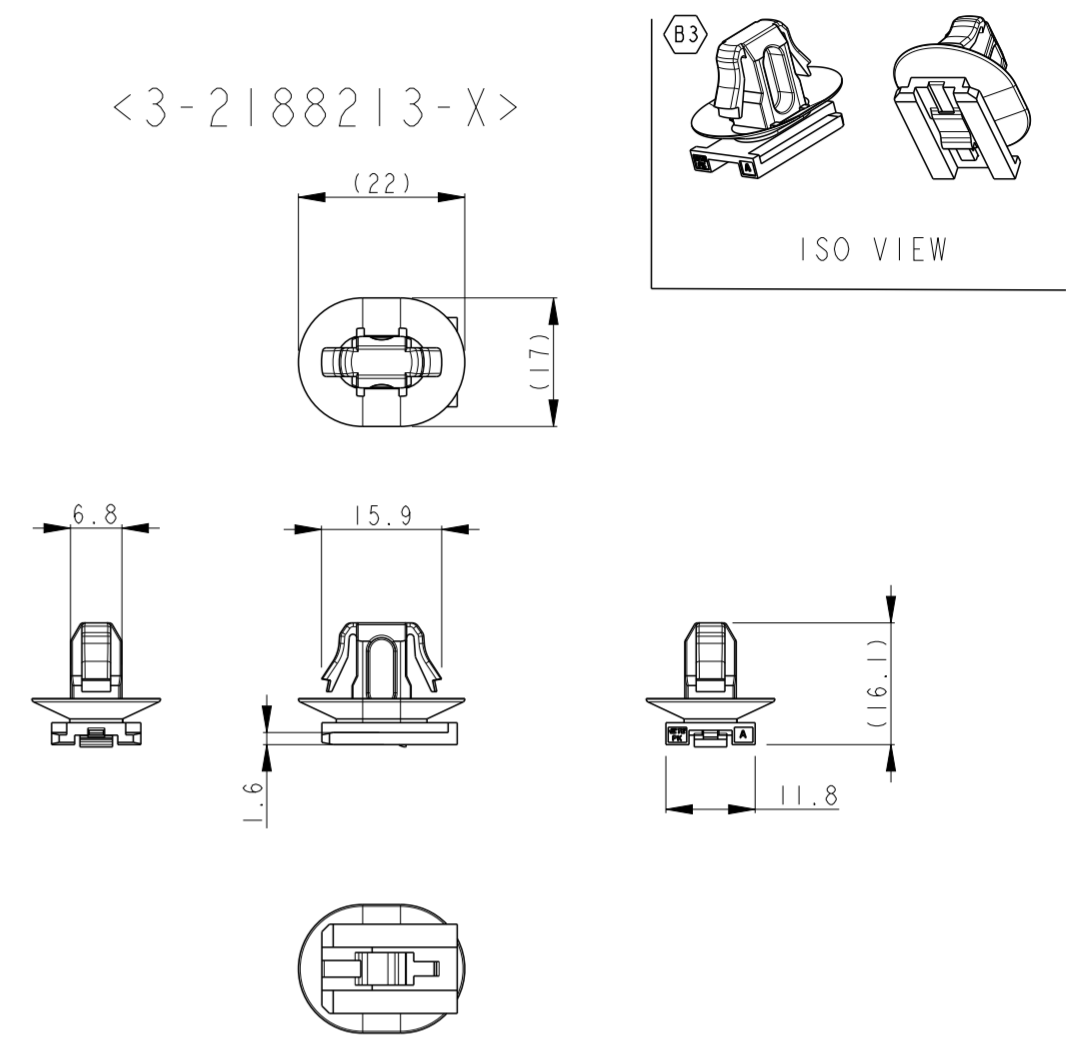
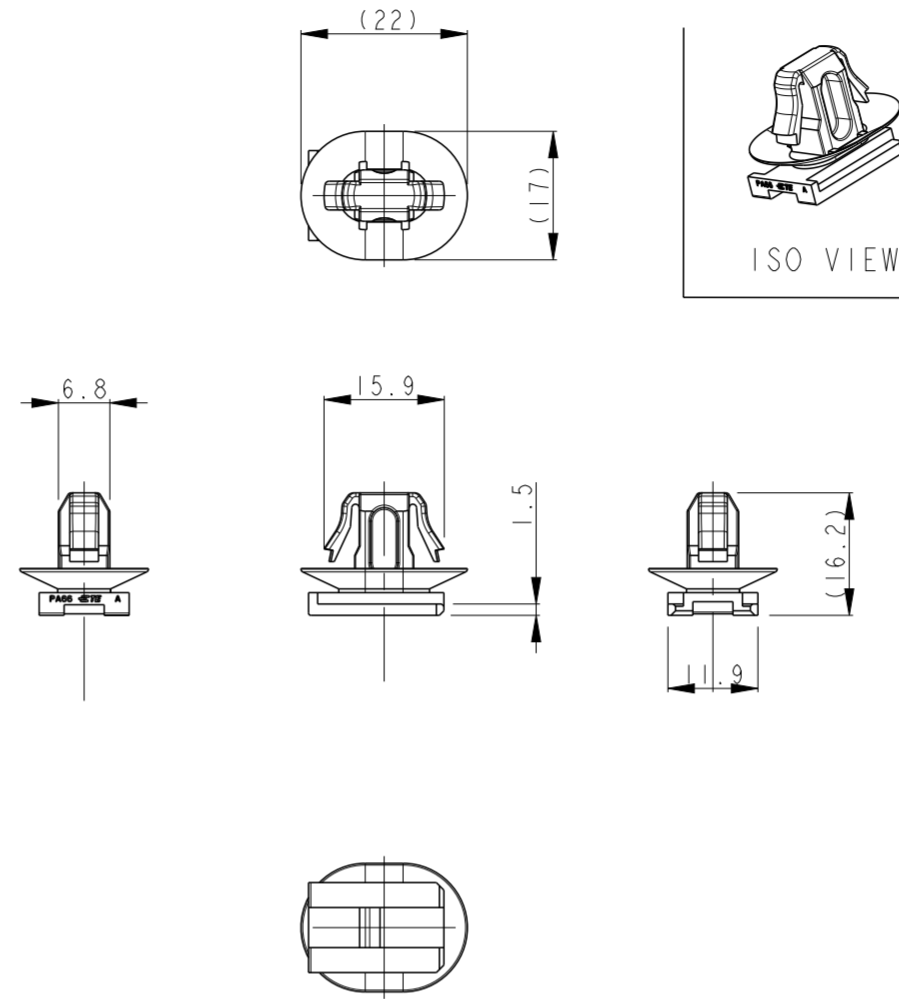
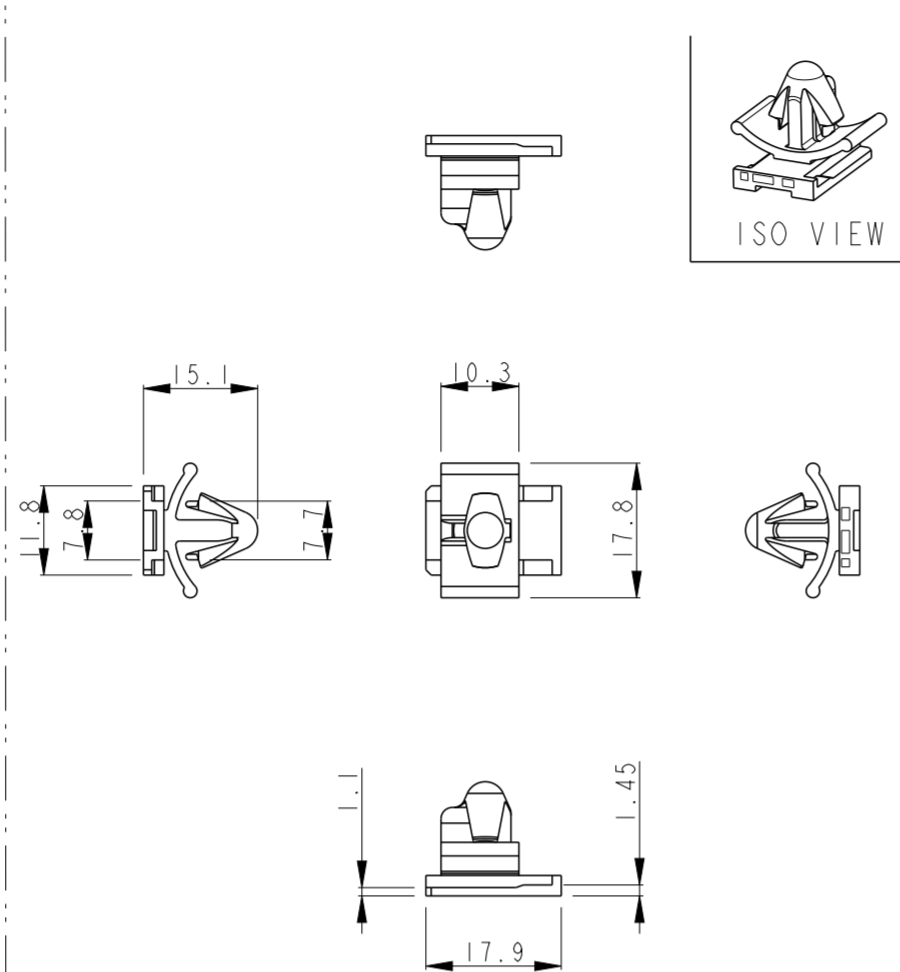
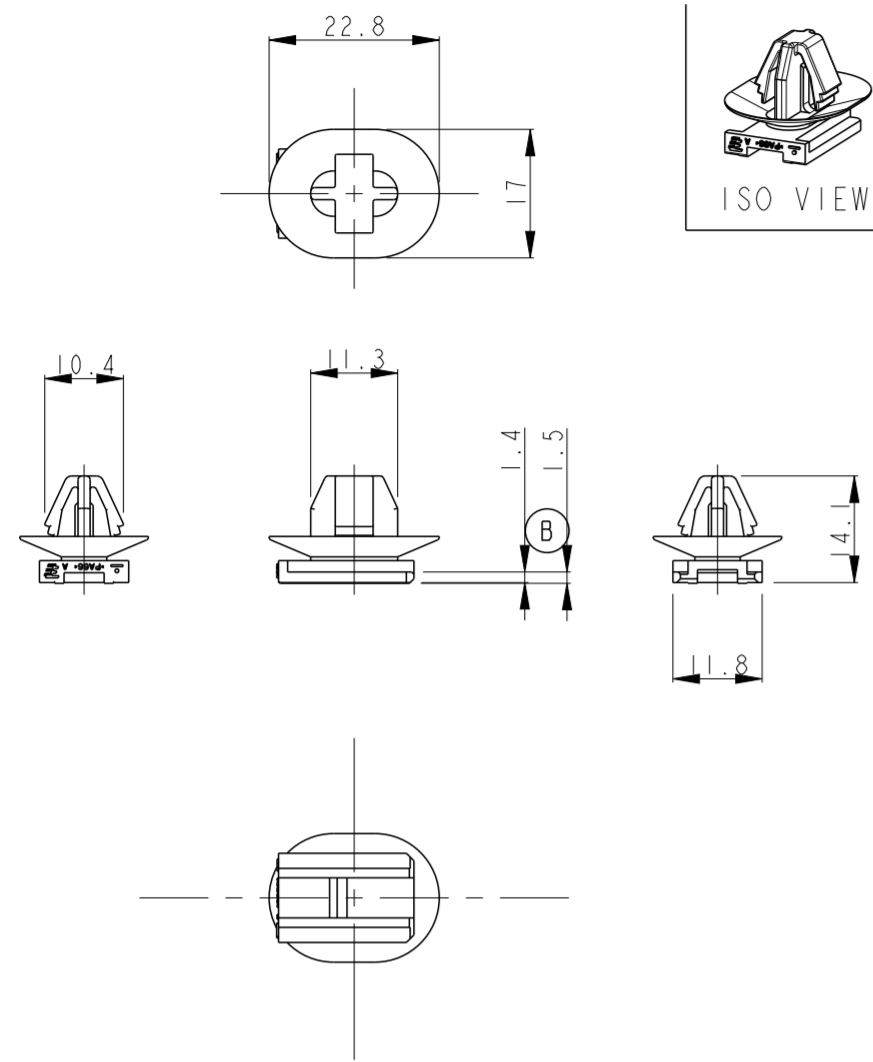
REVISIONS					
P	LTR	DESCRIPTION	DATE	DWN	APVD
B3		REVISED (ECR-20-013599)	25SEP2020	SY	YJ
B4		REVISED (ECR-22-127887)	23AUG2021	CH	YJ
B5		REVISED ECR-23-171026	31MAR2023	CI	KT

<2188213-X>

<1-2188213-X>

<2-2188213-X>

<3-2188213-X>



< TABLE 1 >

	(B)	(B1)	(B2)	(B4)	(B4)
P/N : 2188213-3/2188213-2	P/N : 1-2188213-3	P/N : 2-2188213-3	P/N : 3-2188213-3	P/N : 4-2188213-2	P/N : 5-2188213-2
APPLICATION PANEL SIZE (THICKNESS : 0.7~2.0 mm)	APPLICATION PANEL SIZE (THICKNESS : 0.7~1.6 mm)	APPLICATION PANEL SIZE (THICKNESS : 2.8~3.2mm)	APPLICATION PANEL SIZE (THICKNESS : 0.7~1.2 mm) (B5)		

NOTE

1. GENERAL TOLERANCE : ±0.3 , ±3°
2. APPLICATION PANEL SIZE : SEE < TABLE 1 >

(B4)	5-2188213-2	CLIP FOR 26P CONNECTOR	PK	BLACK
(B4)	4-2188213-2	CLIP FOR 36P CONNECTOR	PA66	BLACK
(B3)	3-2188213-3	CLIP FOR JOINT CONNECTOR ASS'Y	PK	GRAY
(B1)	2-2188213-3	CLIP FOR MT11 JPT SLD 16P PLUG	PA66	GRAY
(B)	1-2188213-3	CLIP FOR JOINT CONNECTOR ASS'Y	PA66	GRAY
(B2)	2188213-2	CLIP FOR JOINT CONNECTOR ASS'Y	PA66	BLACK
	2188213-3	CLIP FOR JOINT CONNECTOR ASS'Y	PA66	GRAY
	PART NO.	DESCRIPTION	MATERIAL	COLOR

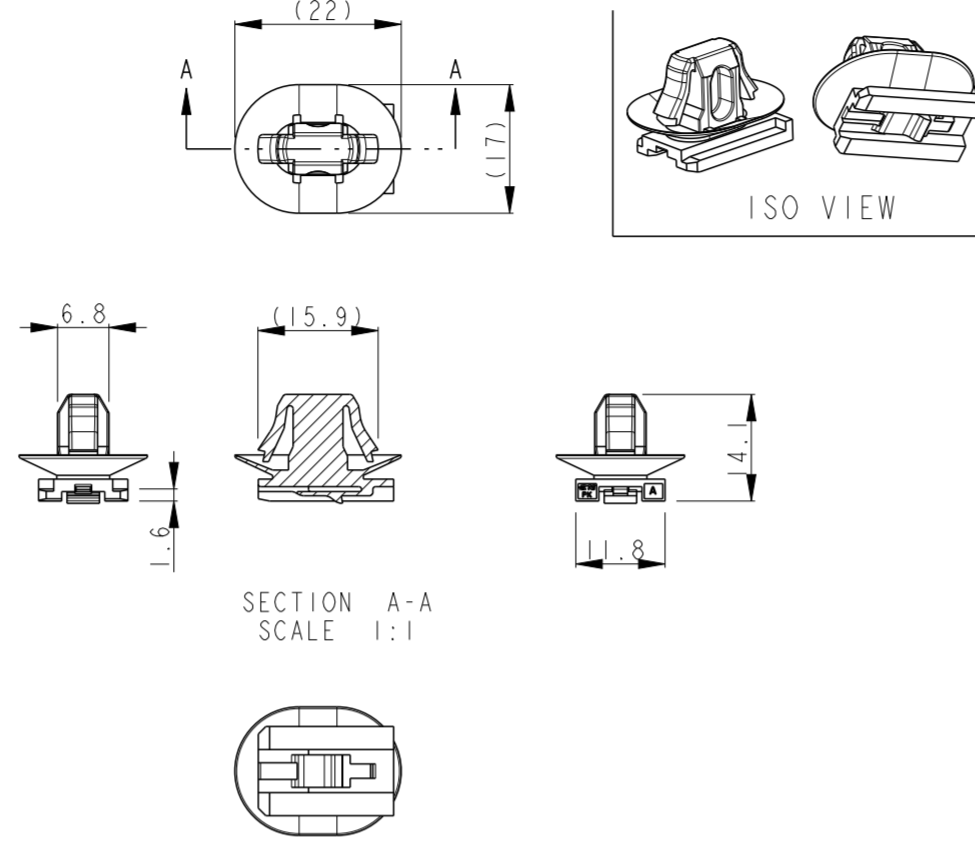
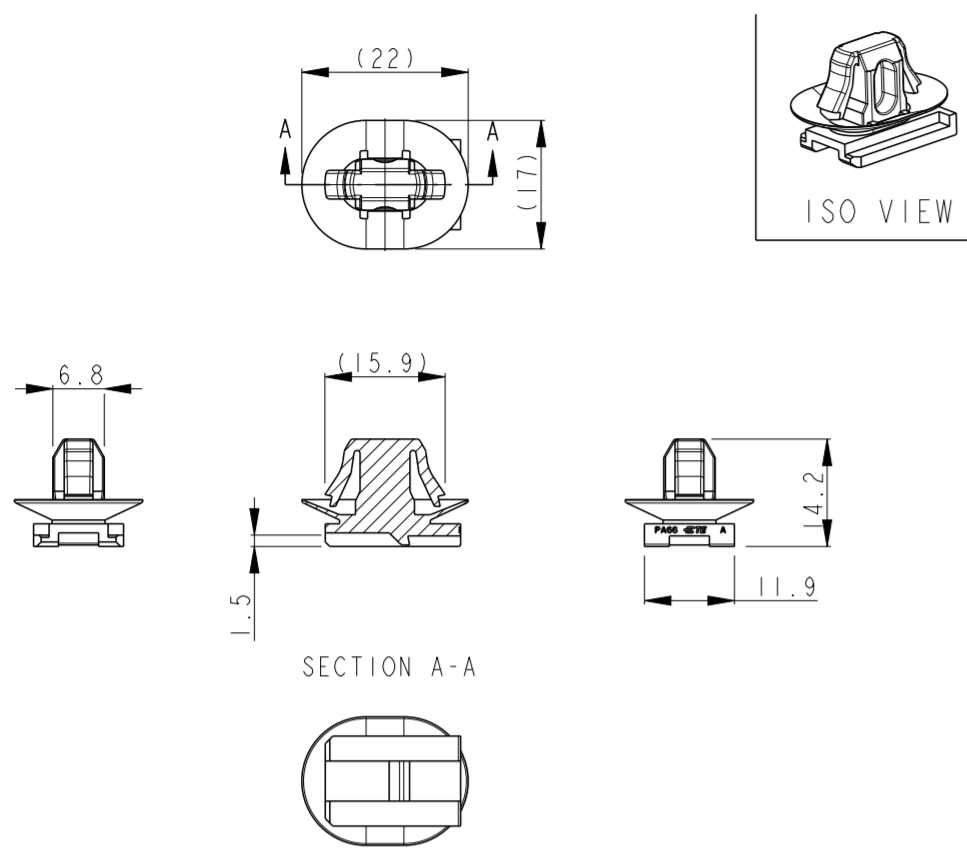
THIS DRAWING IS A CONTROLLED DOCUMENT.

DIMENSIONS: mm	TOLERANCES UNLESS OTHERWISE SPECIFIED	DWN: SM LEE	 TE Connectivity
	0 PLC ±	CHK: YH MA	
	1 PLC ±	APVD: KT LIM	
	2 PLC ±	PRODUCT SPEC	
MATERIAL: SEE TABLE	3 PLC ±	APPLICATION SPEC	NAME: CLIP FOR JOINT CONNECTOR ASSY AND MT11 JPT SLD 16P PLUG ASSY
	4 PLC ±	WEIGHT	SIZE: A2
	ANGLES ±	CUSTOMER DRAWING; RESTRICTED CUSTOMER	CAGE CODE: 00779
	FINISH -	SCALE: 4:1	DRAWING NO: C-2188213
		SHEET: 1 OF 2	RESTRICTED TO: B5

REVISIONS				
P	LTR	DESCRIPTION	DATE	APVD
		SEE SHEET 1		

<4-2188213-X> (B4)

<5-2188213-X> (B4)



THIS DRAWING IS A CONTROLLED DOCUMENT.		DWN SM LEE	<b>STE</b> TE Connectivity	
DIMENSIONS: mm		CHK YH MA		
TOLERANCES UNLESS OTHERWISE SPECIFIED:		APVD KT LIM	NAME CLIP FOR JOINT CONNECTOR ASSY AND MT11 JPT SLD 16P PLUG ASSY	
0 PLC ±		PRODUCT SPEC	SIZE	CAGE CODE
1 PLC ±		APPLICATION SPEC	A2	00779
2 PLC ±		WEIGHT	DRAWING NO	RESTRICTED TO
3 PLC ±			C-2188213	
4 PLC ±			CUSTOMER DRAWING; RESTRICTED CUSTOMER	SCALE 4:1
ANGLES ±			SHEET 2 OF 2	REV B5
FINISH -				