

2178506-3 ✓ ACTIVE

TE Internal #: 2178506-3

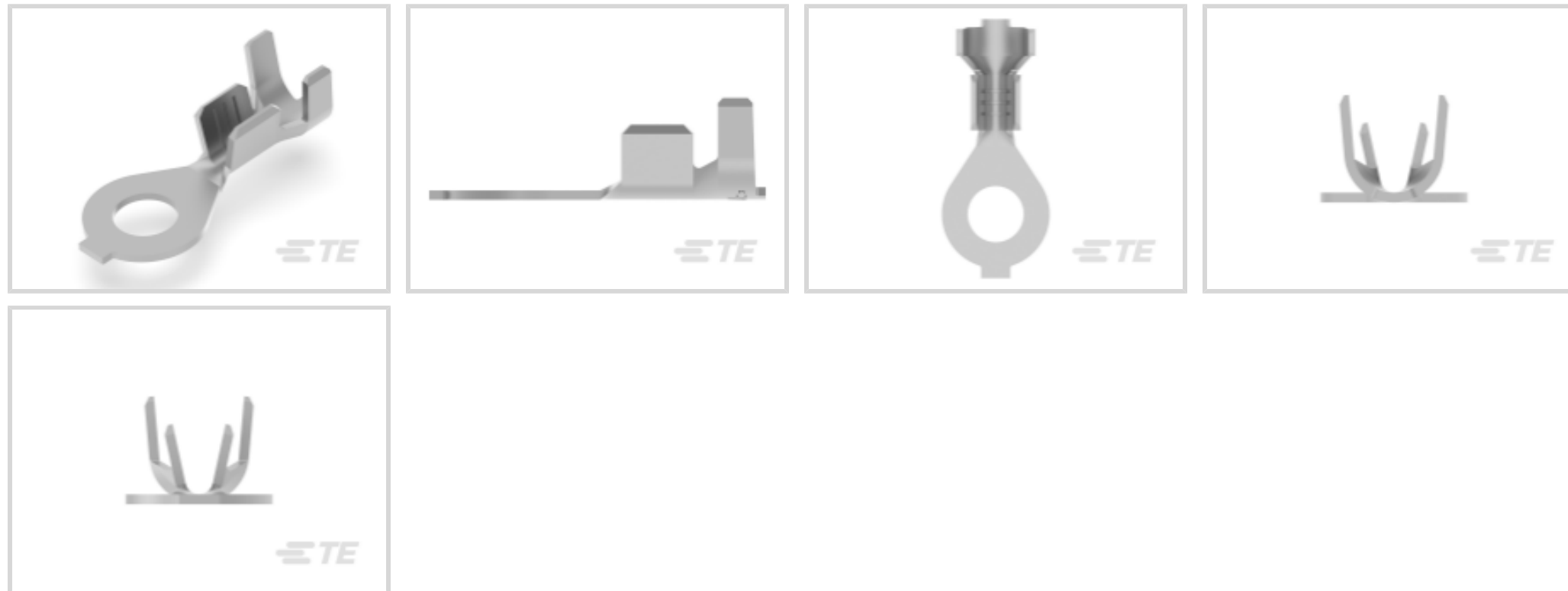
Rings & Spades, Ring Tongue, 18 – 14AWG Wire Size, .8 – 2mm²

Wire Size, 1600 – 4234CMA Wire Size, M3.5 / #6, Stud Diameter 3.9 mm [.154 in]

[View on TE.com >](#)



Terminals & Splices > Rings & Spades



Terminal & Splice Type: **Ring Tongue**

Wire Size: **1600 – 4234 CMA**

Stud Size: **#6, M3.5**

Features

Product Type Features

Shape Description	Circular/Oval
Stud Size	#6, M3.5
Barrel Type	Open Barrel
Sealable	No
Insulated	No
Wire/Cable Type	Regular Wire
Support Style	Insulation Support

Configuration Features

Number of Holes	1
Terminal Angle	Straight

Body Features

Inspection Slot	No
Weight per Piece	.4 g [.014108 oz]
Plating Material	Tin

Contact Features

Contact Base Material	Brass
-----------------------	-------



Terminal & Splice Type	Ring Tongue
------------------------	-------------

Terminal Orientation	Straight
----------------------	----------

Underplating Material	None
-----------------------	------

Mechanical Attachment

Wire Insulation Support	With
-------------------------	------

Dimensions

	.105 in
--	---------

Wire Size	1600 – 4234 CMA
-----------	-----------------

Stud Diameter	3.9 mm [.154 in]
---------------	------------------

Tongue Thickness	.51 mm [.02 in]
------------------	-----------------

Overall Length	16.76 mm [.66 in]
----------------	-------------------

Barrel Inside Diameter	1.42 mm, 4.06 mm [.055 in] [.159 in]
------------------------	--------------------------------------

Wire Insulation Diameter (Max)	4.318 mm [.17 in]
--------------------------------	-------------------

Wire Insulation Diameter	2.67 – 4.32 mm [.105 – .17 in]
--------------------------	--------------------------------

Usage Conditions

Operating Temperature Range	-40 – 110 °C [-40 – 230 °F]
-----------------------------	-----------------------------

Operation/Application

Heavy Duty	No
------------	----

Industry Standards

Government Qualified	No
----------------------	----

Packaging Features

Packaging Quantity	8000
--------------------	------

Packaging Method	Strip/Reel
------------------	------------

Product Compliance

[For compliance documentation, visit the product page on TE.com>](#)

EU RoHS Directive 2011/65/EU	Compliant
------------------------------	-----------

EU ELV Directive 2000/53/EC	Compliant
-----------------------------	-----------

China RoHS 2 Directive MIIT Order No 32, 2016	No Restricted Materials Above Threshold
---	---

EU REACH Regulation (EC) No. 1907/2006	Current ECHA Candidate List: JUN 2020 (209) Candidate List Declared Against: JAN 2020 (205)
--	--



Does not contain REACH SVHC

Halogen Content

Low Halogen - Br, Cl, F, I < 900 ppm per homogenous material. Also BFR/CFR/PVC Free

Solder Process Capability

Not applicable for solder process capability

Product Compliance Disclaimer

This information is provided based on reasonable inquiry of our suppliers and represents our current actual knowledge based on the information they provided. This information is subject to change. The part numbers that TE has identified as EU RoHS compliant have a maximum concentration of 0.1% by weight in homogenous materials for lead, hexavalent chromium, mercury, PBB, PBDE, DBP, BBP, DEHP, DIBP, and 0.01% for cadmium, or qualify for an exemption to these limits as defined in the Annexes of Directive 2011/65/EU (RoHS2). Finished electrical and electronic equipment products will be CE marked as required by Directive 2011/65/EU. Components may not be CE marked. Additionally, the part numbers that TE has identified as EU ELV compliant have a maximum concentration of 0.1% by weight in homogenous materials for lead, hexavalent chromium, and mercury, and 0.01% for cadmium, or qualify for an exemption to these limits as defined in the Annexes of Directive 2000/53/EC (ELV). Regarding the REACH Regulation, the information TE provides on SVHC in articles for this part number is based on the latest European Chemicals Agency (ECHA) 'Guidance on requirements for substances in articles' posted at this URL: <https://echa.europa.eu/guidance-documents/guidance-on-reach>

Compatible Parts



KIT

REPRESENTATION ONLY

TE Model / Part # 7-2150956-7
OCEAN_2.0_SPARE_PART_KIT-120F180F



TE Model / Part # 2150956-1
OCEAN_2.0_APPLICATOR-E-120F180F

Customers Also Bought



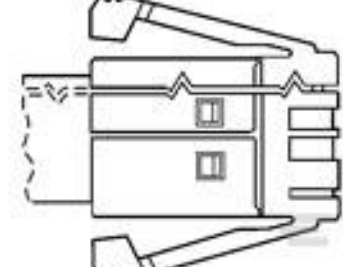
TE Model / Part #41580
RING TERMINAL 24-20 AWG TPBR



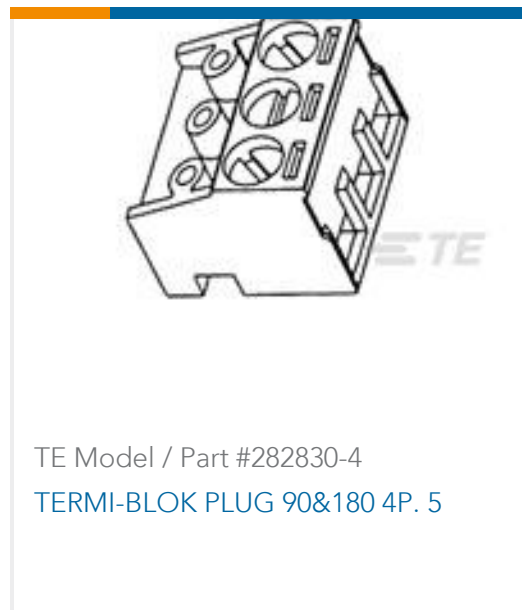
TE Model / Part #4-745130-3
SHLDING FERRULE,PLTD,BULK PKG



TE Model / Part #8-1625868-3
RP 2A 0.25W 38R3 0.1% 25PPM 1K RL



TE Model / Part #5-1761184-3
8 SDL FLAT PLUG ASSY



TE Model / Part #282830-4
TERMI-BLOK PLUG 90&180 4P. 5



TE Model / Part #7-1123724-5
3.96EP HDR ASSY 5(9)P NATURAL



TE Model / Part #60385-2
.250 FAST REC IS 18-2/17 TPBR



TE Model / Part #2178505-3
RING TONGUE TERMINAL 0.8-2.0
MM2 PTPBR



TE Model / Part #40668
RING TERMINAL 22-16 AWG BR



TE Model / Part #3-644469-2
02P MTA156 CONN ASSY 18AWG LF

Documents

Product Drawings

RING TONGUE TERMINAL 0.8-2.0 MM2 PTPBR

English

CAD Files

3D PDF

3D

Customer View Model

[ENG_CVM_CVM_2178506-3_B.2d_dxf.zip](#)

English

Customer View Model

[ENG_CVM_CVM_2178506-3_B.3d_igs.zip](#)

English

Customer View Model

[ENG_CVM_CVM_2178506-3_B.3d_stp.zip](#)

English

By downloading the CAD file I accept and agree to the [Terms and Conditions](#) of use.

Product Specifications

Application Specification

English