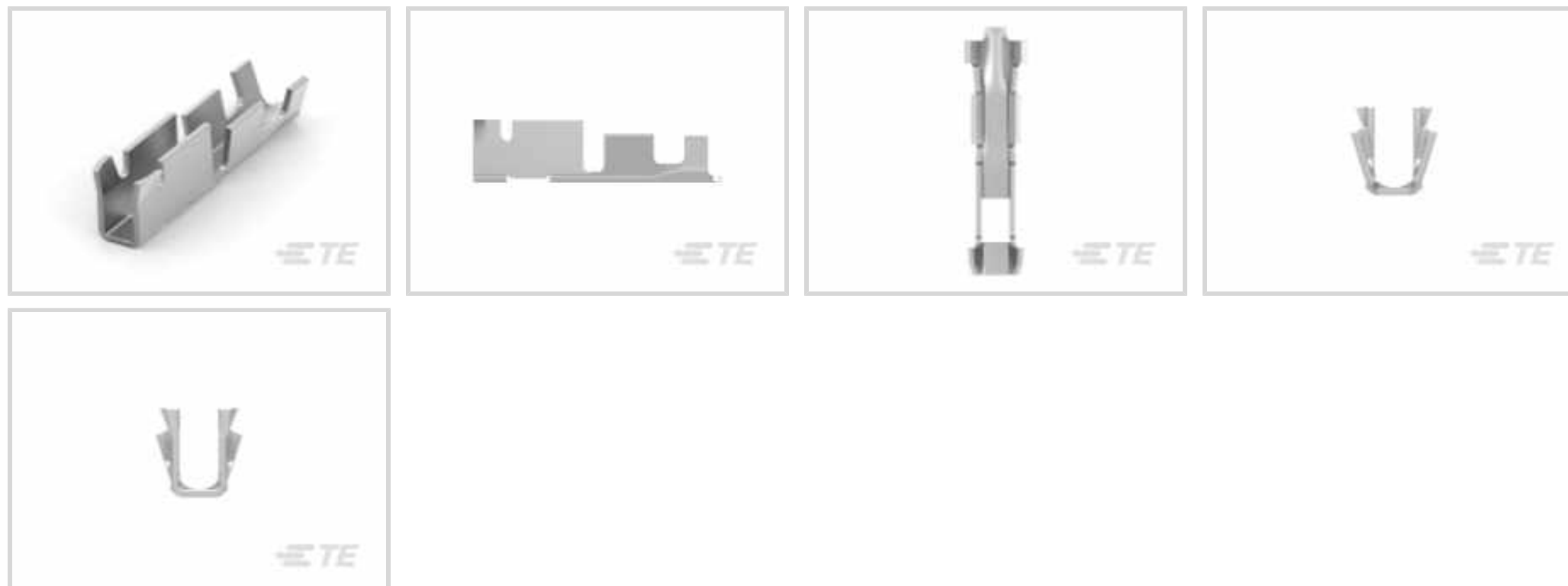




Terminals & Splices > Magnet Wire Terminals



Magnet Wire Terminal Type: **Receptacle**

Mating Pin Diameter: **2.29 mm [.09 in]**

Accepts Wire Insulation Diameter (Max): **2.62 mm [.103 in]**

Accepts Wire Insulation Diameter Range: **1.5 – 2.62 mm [.059 – .103 in]**

Magnet Wire Size: **18 – 16 AWG**

Features

Product Type Features

Wire Insulation Support Retention Type	Insulation Support
Compatible With Discrete Wire Type	Stranded

Configuration Features

Compatible With Wire & Cable Type	Discrete Wire
-----------------------------------	---------------

Contact Features

Magnet Wire Terminal Type	Receptacle
Mating Pin Diameter	2.29 mm [.09 in]
Terminal Plating Material	Tin
Terminal Orientation	Straight

Termination Features

Termination Method to Wire & Cable	Insulation Displacement (IDC)
Crimp Area Length	7.5 mm [.295 in]

Housing Features

Housing Retention Force	Standard Force
-------------------------	----------------

Dimensions



Terminal Height	4.57 mm[.18 in]
Accepts Wire Insulation Diameter (Max)	2.62 mm[.103 in]
Accepts Wire Insulation Diameter Range	1.5 – 2.62 mm[.059 – .103 in]
Magnet Wire Size	.82 – 1.3 mm
Stock Thickness (Magnet Wire Side)	.41 mm[.016 in]
Overall Product Length	17.02 mm[.67 in]

Usage Conditions

Insulation Option	Uninsulated
-------------------	-------------

Operation/Application

Compatible With Wire Base Material	Copper
------------------------------------	--------

Packaging Features

Packaging Quantity	12500
Packaging Method	Reel

Product Compliance

[For compliance documentation, visit the product page on TE.com>](#)

EU RoHS Directive 2011/65/EU	Compliant
EU ELV Directive 2000/53/EC	Compliant
China RoHS 2 Directive MIIT Order No 32, 2016	No Restricted Materials Above Threshold
EU REACH Regulation (EC) No. 1907/2006	Current ECHA Candidate List: JUNE 2022 (224) Candidate List Declared Against: JUNE 2022 (224) Does not contain REACH SVHC
Halogen Content	Low Halogen - Br, Cl, F, I < 900 ppm per homogenous material. Also BFR/CFR/PVC Free
Solder Process Capability	Not reviewed for solder process capability

Product Compliance Disclaimer

This information is provided based on reasonable inquiry of our suppliers and represents our current actual knowledge based on the information they provided. This information is subject to change. The part numbers that TE has identified as EU RoHS compliant have a maximum concentration of 0.1% by weight in homogenous materials for lead, hexavalent chromium, mercury, PBB, PBDE, DBP, BBP, DEHP, DIBP, and 0.01% for cadmium, or qualify for an exemption to these limits as defined in the Annexes of Directive 2011/65/EU (RoHS2). Finished electrical and electronic equipment products will be CE marked as required by Directive 2011/65/EU. Components may not be CE marked. Additionally, the part numbers that TE has identified as EU ELV compliant have a maximum concentration of 0.1% by weight in homogenous materials for lead, hexavalent chromium, and mercury, and 0.01% for cadmium, or qualify for an exemption to these limits as defined in the Annexes of Directive 2000/53/EC (ELV). Regarding the REACH Regulation, the information TE provides on SVHC in articles for this part number is based on the latest European Chemicals Agency (ECHA) 'Guidance on

requirements for substances in articles' posted at this URL: <https://echa.europa.eu/guidance-documents/guidance-on-reach>

Compatible Parts



TE Part # 141101-2
RECEPT CLUSTER



TE Part # 2-2150436-2
OCEAN_2.0_APPLICATOR-E-110F140F



TE Part # 2150436-2
OCEAN_2.0_APPLICATOR-E-110F140F

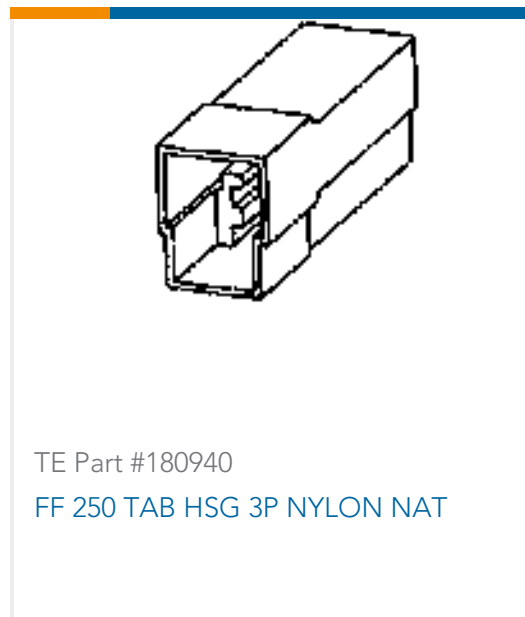


TE Part # 62131-8
CLSTR PIN RCPT



TE Part # 7-2150436-7
OCEAN_2.0_SPARE_PART_KIT-110F140F

Customers Also Bought



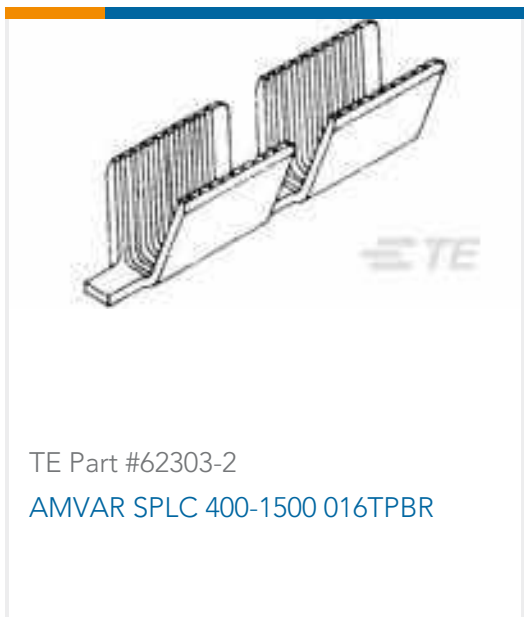
TE Part #180940
FF 250 TAB HSG 3P NYLON NAT



TE Part #170224-2
250 FASTON,REC.,16-10 AWG,BR



TE Part #42563-2
250 FASTON FLAG REC 12-10 AWG TPBR



TE Part #62303-2
AMVAR SPLC 400-1500 016TPBR



TE Part #170213-2
250 FASTON,REC.,18-14 AWG,TPBR



TE Part #41802
250 FASTON FLAG REC 18-12 AWG TPBR



TE Part #62304-2
AMVAR SPLC 600-3000 020TPBR



TE Part #284406-3
CLUSTER BLOCK HSG .090 DIA. RE

Documents

[Product Drawings](#)
[.090 CLUSTER REC.](#)

English



CAD Files

3D PDF

3D

Customer View Model

[ENG_CVM_CVM_2178453-1_A.2d_dxf.zip](#)

English

Customer View Model

[ENG_CVM_CVM_2178453-1_A.3d_igs.zip](#)

English

Customer View Model

[ENG_CVM_CVM_2178453-1_A.3d_stp.zip](#)

English

By downloading the CAD file I accept and agree to the [Terms and Conditions](#) of use.

Product Specifications

Application Specification

English

Product Environmental Compliance

TE Material Declaration

English