



Micro Motor

TE Internal #: 2174053-1

Standard Rectangular Connectors, Connector Kit, Receptacle / Plug, Mating Retention, Crimp, Wire-to-Wire / Wire-to-Motor, Shielded, Gold, Micro Motor

[View on TE.com >](#)

Connectors > Rectangular Connectors > Standard Rectangular Connectors



Connector Product Type: **Connector Kit**

Connector & Housing Type: **Plug, Receptacle**

Mating Alignment: **Without**

Mating Retention: **With**

Mating Retention Type: **Screw**

**Features**

**Product Type Features**

Connector Product Type	Connector Kit
Connector & Housing Type	Plug, Receptacle
Connector System	Wire-to-Motor, Wire-to-Wire
Insertion Force Type	Normal
Sealable	Yes
Connector & Contact Terminates To	Wire & Cable

**Configuration Features**

Number of Positions	8
Number of Rows	2

**Electrical Characteristics**

Operating Voltage	10 VAC
-------------------	--------

**Body Features**

Seal Type	Panel Gasket
-----------	--------------



### Contact Features

Wire Contact Termination Area Plating Material	Gold
Contact Mating Area Plating Material	Gold
Contact Retention Within Housing	With
Contact Current Rating (Max)	1 A

### Termination Features

Termination Method to Wire & Cable	Crimp
------------------------------------	-------

### Mechanical Attachment

Mating Alignment	Without
Mating Retention	With
Mating Retention Type	Screw
Connector Mounting Type	Panel Mount

### Housing Features

Centerline (Pitch)	2 mm[.079 in]
--------------------	---------------

### Dimensions

Row-to-Row Spacing	2.4 mm[.09 in]
--------------------	----------------

### Usage Conditions

Operating Temperature Range	-30 – 105 °C[-22 – 221 °F]
-----------------------------	----------------------------

### Operation/Application

Shielded	Yes
Circuit Application	Signal

### Industry Standards

UL Flammability Rating	UL 94V-0
------------------------	----------

### Product Compliance

[For compliance documentation, visit the product page on TE.com>](#)

EU RoHS Directive 2011/65/EU	Compliant
EU ELV Directive 2000/53/EC	Compliant
China RoHS 2 Directive MIIT Order No 32, 2016	No Restricted Materials Above Threshold
EU REACH Regulation (EC) No. 1907/2006	Current ECHA Candidate List: JUNE 2024 (241) Candidate List Declared Against: JAN 2024 (240)



Does not contain REACH SVHC

Halogen Content Not Low Halogen - contains Br or Cl > 900 ppm.

Solder Process Capability Not applicable for solder process capability

Product Compliance Disclaimer

This information is provided based on reasonable inquiry of our suppliers and represents our current actual knowledge based on the information they provided. This information is subject to change. The part numbers that TE has identified as EU RoHS compliant have a maximum concentration of 0.1% by weight in homogenous materials for lead, hexavalent chromium, mercury, PBB, PBDE, DBP, BBP, DEHP, DIBP, and 0.01% for cadmium, or qualify for an exemption to these limits as defined in the Annexes of Directive 2011/65/EU (RoHS2). Finished electrical and electronic equipment products will be CE marked as required by Directive 2011/65/EU. Components may not be CE marked. Additionally, the part numbers that TE has identified as EU ELV compliant have a maximum concentration of 0.1% by weight in homogenous materials for lead, hexavalent chromium, and mercury, and 0.01% for cadmium, or qualify for an exemption to these limits as defined in the Annexes of Directive 2000/53/EC (ELV). Regarding the REACH Regulation, the information TE provides on SVHC in articles for this part number is based on the latest European Chemicals Agency (ECHA) 'Guidance on requirements for substances in articles' posted at this URL: https://echa.europa.eu/guidance-documents/guidance-on-reach

### Compatible Parts

TE Part # 1554877-1  
MICRO MOTOR CONNECTOR MAINTENANCE KIT

TE Part # 1596847-1  
SAHT MICRO MOTOR REC 26-22 ASSY

### Also in the Series | Micro Motor

Connector Caps & Covers(3)

Connector Contacts(3)

Rectangular Connector Housings(1)

Rectangular Power Connectors(3)

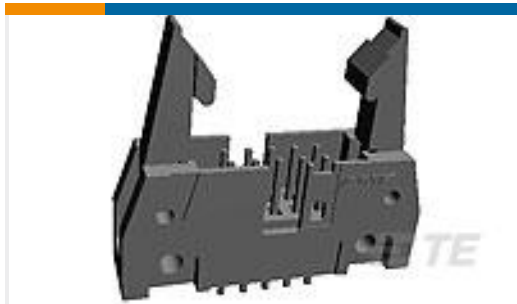


Special Purpose Terminals(1)



Standard Rectangular Connectors(4)

## Customers Also Bought



TE Part #5499206-4  
A/L UNIV HDR 20P VERT LG LAT



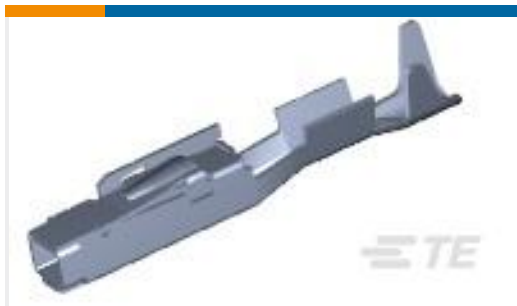
TE Part #1318095-1  
DYNAMIC D-3500 REC HSG 6P



TE Part #179955-6  
Contact: Component To Wire ; 20-45A , 20-8 wire size



TE Part #4-794632-2  
12P MICRO MNL ASSY,VRT,HDR,LF



TE Part #7-1452656-2  
MCON 1.2 LL REC SRC AU



TE Part #4-1419144-7  
OJE-SH-112HMF,F095



TE Part #1649222-1  
OJE-SS-112DM,801



TE Part #BEA088N00000222000  
923 RECEPTACLE, SPEEDTEC-READY



TE Part #CUA481N00450030000  
940 PLUG, ANGLED, SPEEDTEC

## Documents

### CAD Files

3D PDF

3D

### Customer View Model

[ENG\\_CVM\\_CVM\\_2174053-1\\_A.2d\\_dxf.zip](#)

English

### Customer View Model

[ENG\\_CVM\\_CVM\\_2174053-1\\_A.3d\\_igs.zip](#)



English

**Customer View Model**

[ENG\\_CVM\\_CVM\\_2174053-1\\_A.3d\\_stp.zip](#)

English

By downloading the CAD file I accept and agree to the [Terms and Conditions](#) of use.

---

**Product Specifications**

[Application Specification](#)

English

[Application Specification](#)

English

---

**Instruction Sheets**

[Instruction Sheet \(U.S.\)](#)

English