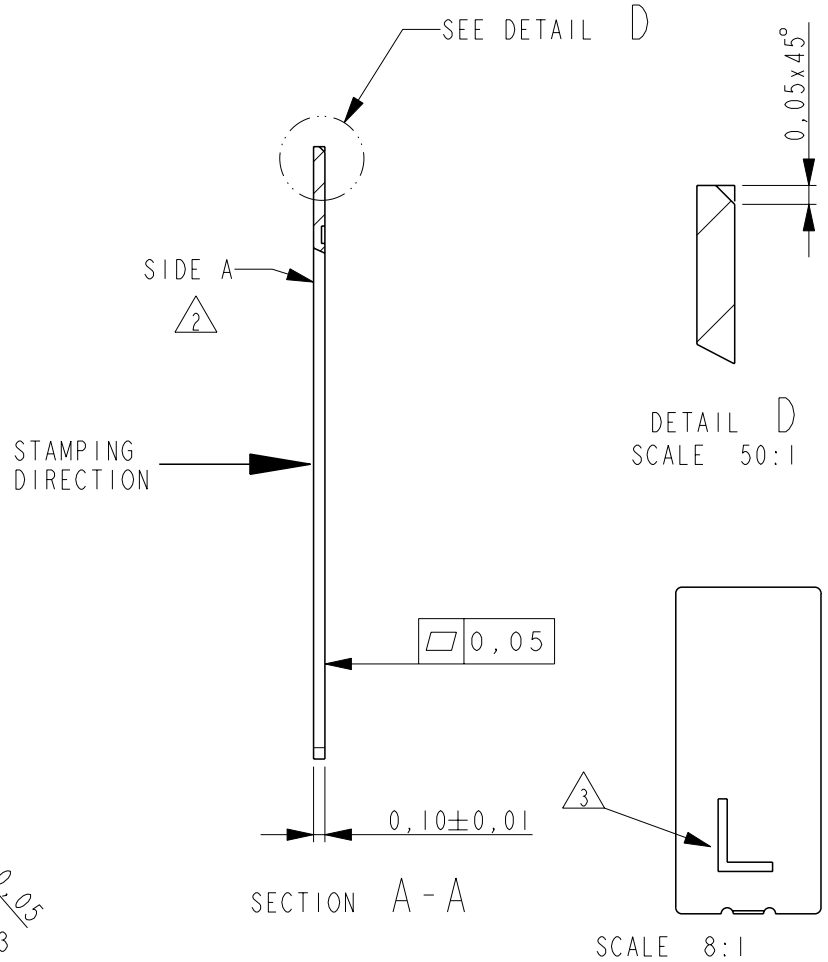
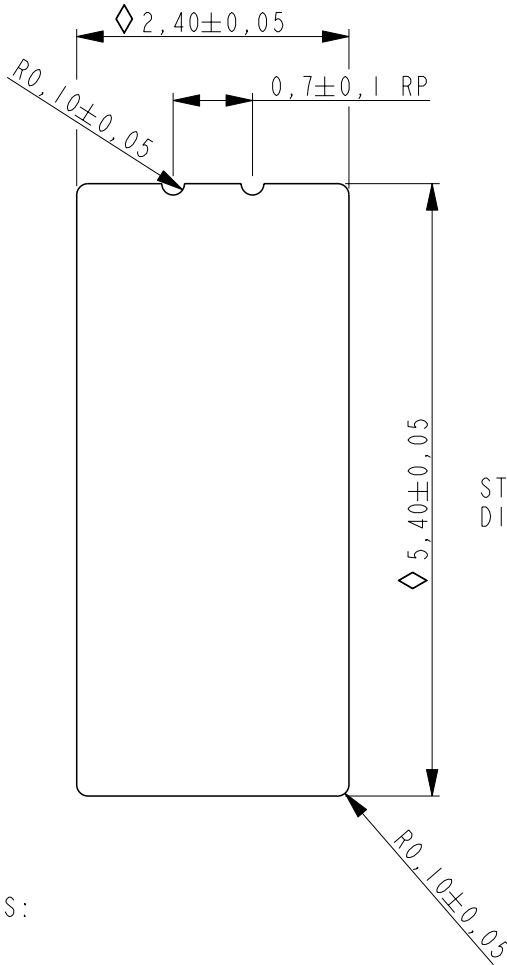


LOC	DIST	REVISIONS					
		P	LTR	DESCRIPTION	DATE	DWN	APVD
H	-		5	STAMPING DIRECTION + MAX BURR ADDED	23MAY2012	JvH	AL



NOTES:

- 1 PART NUMBER AS SHOWN: 2173616-3
- 2 PLATING:
1,2µm MIN. NICKEL ALL OVER.
SIDE A (CONTACT SURFACE): 0,50µm MIN. PdNi
0,2µm GOLD FLASH ALL OVER
- 3 SOLDER SURFACE MARKED WITH SMALL STAMPED LETTER "L" FOR IDENTIFICATION OF PLATED SURFACE.
- 4 \diamond = Cpk DIMENSION
- 5 MAX. CUTTING BURR 0,02mm.

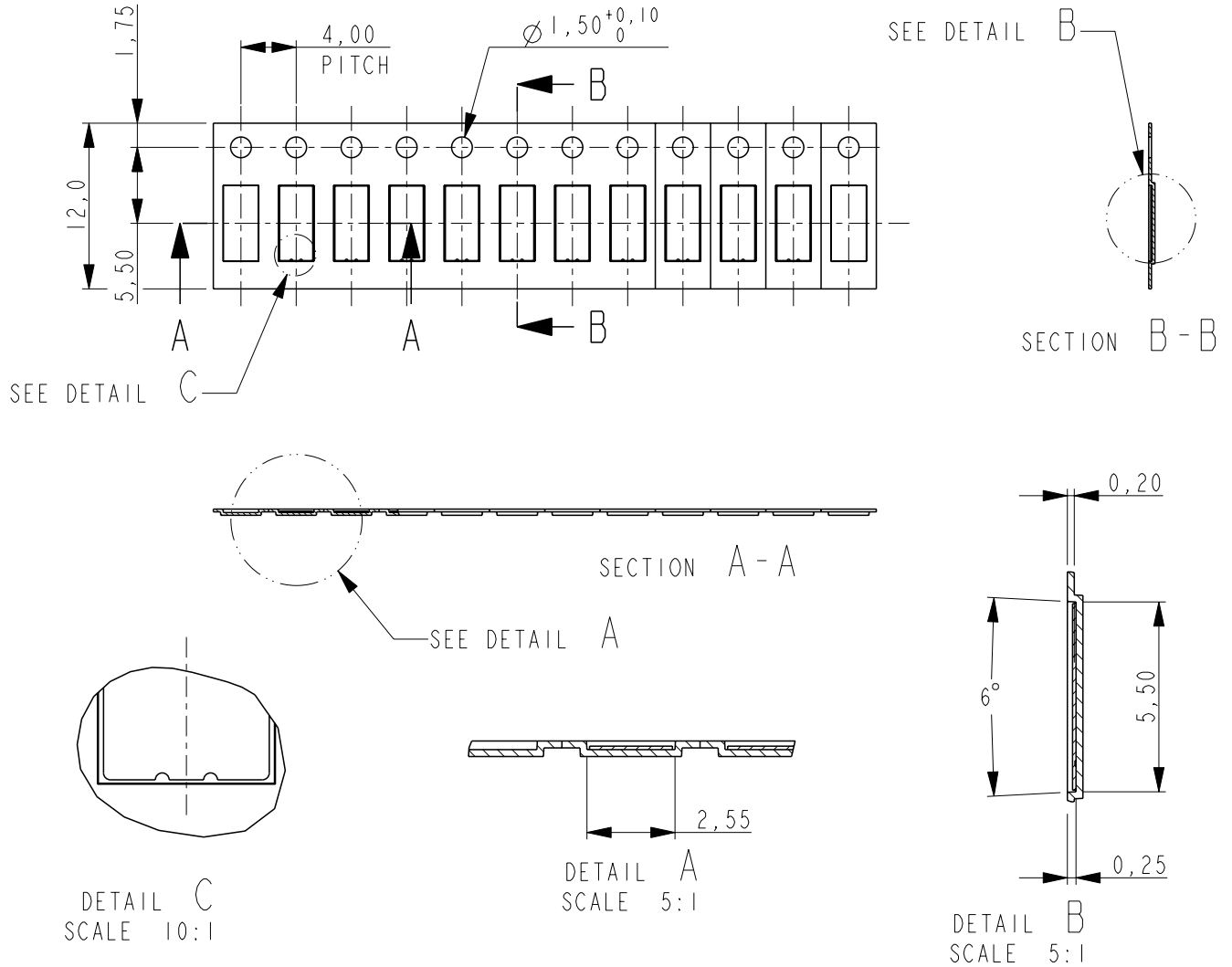
**PRELIMINARY PART
NOT RELEASED FOR PRODUCTION**

**THIS PRODUCT HAS NOT COMPLETED
VALIDATION TESTING**

THIS DRAWING IS UNPUBLISHED. BY - ALL RIGHTS RESERVED. COPYRIGHT -

DIMENSIONS: mm	DWN	16APR2012	MATERIAL	Cu ALLOY	FINISH	2
	CHK	16APR2012				
TOLERANCES UNLESS OTHERWISE SPECIFIED:	APVD	16APR2012				
0 PLC ±0,2	PRODUCT SPEC	-	NAME	SOLDER PAD		
1 PLC ±0,1	APPLICATION SPEC	-	SIZE	CAGE CODE	DRAWING NO	RESTRICTED TO
2 PLC ±0,05	WEIGHT	-	A 4	00779	G-2173616	-
3 PLC ±-	CUSTOMER DRAWING	-	SCALE	15:1	SHEET	1 OF 2
4 PLC ±-						REV 5
ANGLES ±-						

LOC	DIST	REVISIONS					
		P	LTR	DESCRIPTION	DATE	DWN	APVD
H	-		-	SEE SHEET 1	-	-	-



**PRELIMINARY PART
NOT RELEASED FOR PRODUCTION**

**THIS PRODUCT HAS NOT COMPLETED
VALIDATION TESTING**

NOTES:

- 1 REEL DIMENSIONS: 330x100x12,4mm.
- 2 QUANTITY PER REEL: 20000 PIECES.

THIS DRAWING IS UNPUBLISHED. ALL RIGHTS RESERVED. BY - COPYRIGHT -

DIMENSIONS: mm	DWN	J. van Hoek	16APR2012	MATERIAL	Cu ALLOY	FINISH	-
	CHK	S. Zwartkruis	16APR2012	TE TE Connectivity			
TOLERANCES UNLESS OTHERWISE SPECIFIED:	APVD	A. Ligthart	16APR2012				
0 PLC ±-	PRODUCT SPEC	-		NAME	SOLDER PAD		
1 PLC ±0,2	APPLICATION SPEC	-		SIZE	A 4	CAGE CODE	00779
2 PLC ±0,1				DRAWING NO	C=2173616		RESTRICTED TO
3 PLC ±-				WEIGHT	-		
4 PLC ±-				CUSTOMER DRAWING	SCALE	20:1	SHEET 2 OF 2
ANGLES ±-							REV 5