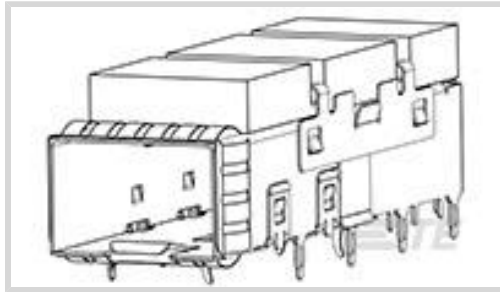




Connectors > Pluggable IO Connectors & Cages

Pluggable I/O Product Type: **Cage Assembly**Sealable: **No**Circuit Application: **Signal**Operating Temperature Range: **-55 – 105 °C [-67 – 221 °F]**Data Rate (Max): **16 Gb/s**

Features

Product Type Features

Thermal Accessory Type Included	Heat Sink
Cage Type	Single
Pluggable I/O Product Type	Cage Assembly
Sealable	No
Form Factor	SFP+

Configuration Features

Number of Ports	1
Port Matrix Configuration	1 x 1

Electrical Characteristics

Data Rate (Max)	16 Gb/s
-----------------	---------

Body Features

Heat Sink Finish	Anodized Black
Heat Sink Height	5.5 mm[.216 in]
Heat Sink Height Class	Custom
Heat Sink Style	Slug

Termination Features

Termination Post & Tail Length	3 mm[.118 in]
Termination Method to Printed Circuit Board	Through Hole - Press-Fit

Housing Features



Cage Material	Nickel Silver
---------------	---------------

Dimensions

PCB Thickness (Recommended)	1.5 mm[.059 in]
-----------------------------	-----------------

Usage Conditions

Operating Temperature Range	-55 – 105 °C[-67 – 221 °F]
-----------------------------	----------------------------

Operation/Application

Pluggable I/O Applications	SFP+
----------------------------	------

Heat Sink Compatible	Yes
----------------------	-----

Circuit Application	Signal
---------------------	--------

Packaging Features

Packaging Method	Box & Tray
------------------	------------

Other

Included Lightpipe	No
--------------------	----

EMI Containment Feature Type	Internal/External EMI Springs
------------------------------	-------------------------------

Product Compliance

[For compliance documentation, visit the product page on TE.com>](#)

EU RoHS Directive 2011/65/EU	Compliant
------------------------------	-----------

EU ELV Directive 2000/53/EC	Compliant
-----------------------------	-----------

China RoHS 2 Directive MIIT Order No 32, 2016	No Restricted Materials Above Threshold
---	---

EU REACH Regulation (EC) No. 1907/2006	Current ECHA Candidate List: JUNE 2024 (241) Candidate List Declared Against: JUNE 2024 (241) Does not contain REACH SVHC
--	---

Halogen Content	Low Halogen - Br, Cl, F, I < 900 ppm per homogenous material. Also BFR/CFR/PVC Free
-----------------	---

Solder Process Capability	Not applicable for solder process capability
---------------------------	--

Product Compliance Disclaimer

This information is provided based on reasonable inquiry of our suppliers and represents our current actual knowledge based on the information they provided. This information is subject to change. The part numbers that TE has identified as EU RoHS compliant have a maximum concentration of 0.1% by weight in homogenous materials for lead, hexavalent chromium, mercury, PBB, PBDE, DBP, BBP, DEHP, DIBP, and 0.01% for cadmium, or qualify for an exemption to these limits as defined in the Annexes of Directive 2011/65/EU (RoHS2). Finished electrical and electronic equipment products will be CE marked as required by Directive 2011/65/EU. Components may not be CE marked. Additionally, the part numbers that TE has identified as EU ELV compliant have a maximum concentration of 0.1% by weight in homogenous materials for lead, hexavalent chromium, and mercury, and 0.01% for cadmium, or qualify for an exemption to these limits

as defined in the Annexes of Directive 2000/53/EC (ELV). Regarding the REACH Regulation, the information TE provides on SVHC in articles for this part number is based on the latest European Chemicals Agency (ECHA) 'Guidance on requirements for substances in articles' posted at this URL: <https://echa.europa.eu/guidance-documents/guidance-on-reach>

Compatible Parts



TE Part # CAT-C11-H5062
SFP+ to SFP+ I/O Cable Assembly: 30 AWG



TE Part # CAT-C11-N490333
QSFP28-Four SFP+ Cable Assembly: 30 AWG



TE Part # CAT-C11-N490325
QSFP28-Four SFP+ Cable Assembly: 26 AWG



TE Part # 2334985-2
SFP28 DIRECT ATTACH CA, 1M, 32AWG



TE Part # CAT-C11-N4901114
SFP28 to SFP28 Cable Assembly: 30 AWG



TE Part # CAT-C11-N49011
SFP28 to SFP28 Cable Assembly: 26 AWG



TE Part # CAT-Q17-N49011
QSFP56-Four SFP56 Cable Assembly: 30 AWG



TE Part # CAT-Q17-N490333
QSFP56-Four SFP56 Cable Assembly: 26 AWG



TE Part # 4-2821224-5
SFP56 DIRECT ATTACH CA, 3M, 26AWG



TE Part # 4-2334985-2
SFP56 DIRECT ATTACH CA, 1M, 32AWG



TE Part # CAT-C11-H5
SFP+ to SFP+ I/O Cable Assembly: 24 AWG



TE Part # CAT-C11-H506
SFP+ to SFP+ I/O Cable Assembly: 26 AWG



TE Part # CAT-C11-H5062
SFP+ to SFP+ I/O Cable Assembly: 28 AWG



TE Part # 4-2821222-5
SFP56 DIRECT ATTACH CA, 2M, 30AWG



TE Part # 2057500-1
Light Pipe, Ganged SFP+



TE Part # 2142970-1
CABLE ASSY, MICRO SFP+ TO STD SFP+, 0.5M



TE Part # 2142970-2
CABLE ASSY, MICRO SFP+ TO STD SFP+, 1M



TE Part # 2142970-3
CABLE ASSY, MICRO SFP+ TO STD SFP+, 2M



TE Part # 2142970-4
CABLE ASSY, MICRO SFP+ TO STD SFP+, 3M



TE Part # 2142970-5
CABLE ASSY, MICRO SFP+ TO STD SFP+, 4M

Customers Also Bought



TE Part #640457-3
03P MTA100 HDR ASSY SQ R/A F/L



TE Part #2176070-4
3521 13R 1% 2W



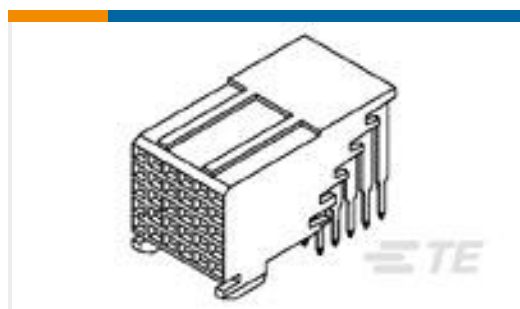
TE Part #3-520406-2
ULTRA-FAST 250 ASY REC 16-14 AWG TPBR



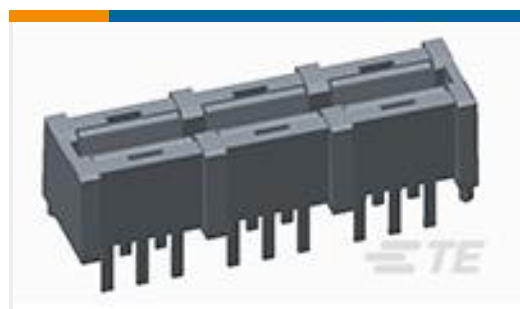
TE Part #2170808-6
QSFP28, 1X2, CAGE ASSY, SPRING, HS, LP



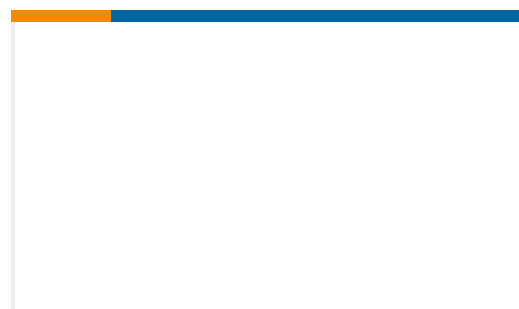
TE Part #1489951-1
XFP CAGE ASSEMBLY



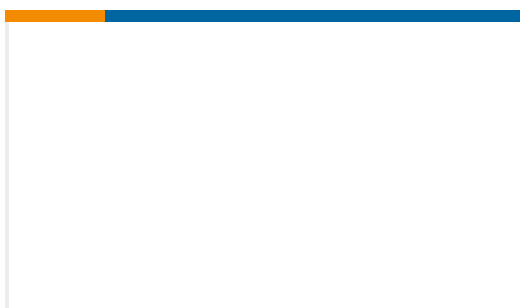
TE Part #5223008-1
FB-5R,ASY,030,SIG,REC,EN,3.55



TE Part #1766685-1
CONN,SKT,LONG SLDR,MC-P3S0



TE Part #1714846-1
INTCCPU CABLE



TE Part #2073569-1
CPU3 TO RAC.BOX

Documents

Product Drawings

[SFP+ 1X1 CAGE ASSY, HEATSINK SLUG](#)

English

CAD Files

[3D PDF](#)

[3D](#)

[Customer View Model](#)

[ENG_CVM_CVM_2170618-1_2_c-2170618-1-2.2d_dxf.zip](#)



English

Customer View Model

[ENG_CVM_CVM_2170618-1_2_c-2170618-1-2.3d_igs.zip](#)

English

Customer View Model

[ENG_CVM_CVM_2170618-1_2_c-2170618-1-2.3d_stp.zip](#)

English

By downloading the CAD file I accept and agree to the [Terms and Conditions](#) of use.

Product Specifications

[Product Specification](#)

English