



Connectors > Pluggable IO Connectors & Cages



Pluggable I/O Product Type: **Cage Assembly**

Form Factor: **QSFP**

Features

Product Type Features

Pluggable I/O Product Type	Cage Assembly
Form Factor	QSFP

Product Compliance

[For compliance documentation, visit the product page on TE.com>](#)

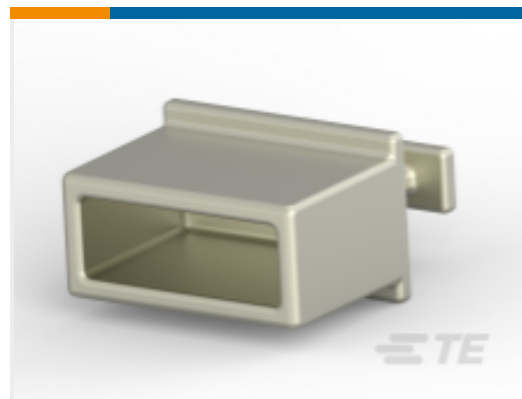
EU RoHS Directive 2011/65/EU	Compliant
EU ELV Directive 2000/53/EC	Compliant
China RoHS 2 Directive MIIT Order No 32, 2016	No Restricted Materials Above Threshold
EU REACH Regulation (EC) No. 1907/2006	Current ECHA Candidate List: JUNE 2023 (235) Candidate List Declared Against: JAN 2021 (211) Does not contain REACH SVHC
Halogen Content	Not Low Halogen - contains Br or Cl > 900 ppm.
Solder Process Capability	Not applicable for solder process capability

Product Compliance Disclaimer

This information is provided based on reasonable inquiry of our suppliers and represents our current actual knowledge based on the information they provided. This information is subject to change. The part numbers that TE has identified as EU RoHS compliant have a maximum concentration of 0.1% by weight in homogenous materials for lead, hexavalent chromium, mercury, PBB, PBDE, DBP, BBP, DEHP, DIBP, and 0.01% for cadmium, or qualify for an exemption to these limits as defined in the Annexes of Directive 2011/65/EU (RoHS2). Finished electrical and electronic equipment products

will be CE marked as required by Directive 2011/65/EU. Components may not be CE marked. Additionally, the part numbers that TE has identified as EU ELV compliant have a maximum concentration of 0.1% by weight in homogenous materials for lead, hexavalent chromium, and mercury, and 0.01% for cadmium, or qualify for an exemption to these limits as defined in the Annexes of Directive 2000/53/EC (ELV). Regarding the REACH Regulation, the information TE provides on SVHC in articles for this part number is based on the latest European Chemicals Agency (ECHA) 'Guidance on requirements for substances in articles' posted at this URL: <https://echa.europa.eu/guidance-documents/guidance-on-reach>

Compatible Parts



TE Part # 1888810-2
EMI/Dust Cover,XFP And QSFP

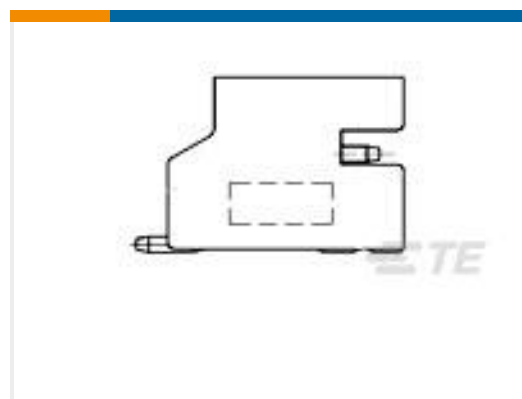


TE Part # 2110819-1
QSFP+ Enh EVERCLEAR PT Conn

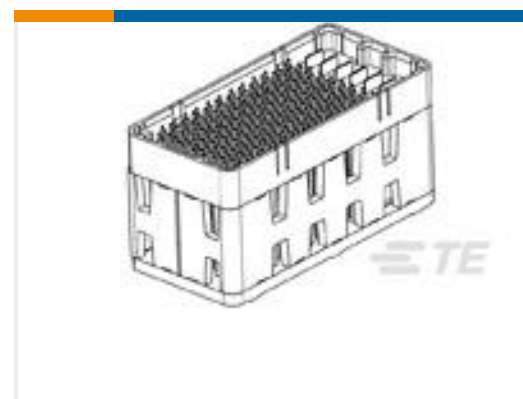


TE Part # 2215040-1
ASSY, STNG TL, CONN 2170378-2

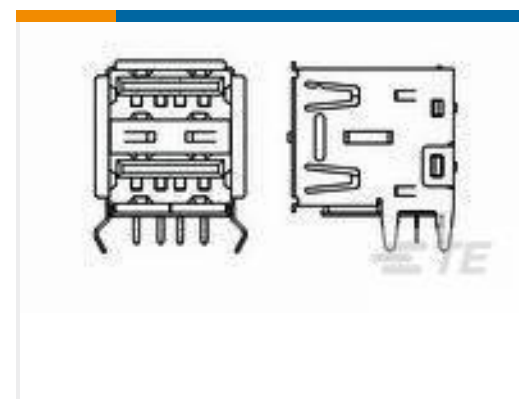
Customers Also Bought



TE Part #2-1775469-5
HPI CONN., 2.0MM, R/A, SMT, 5P, GF



TE Part #9-2110480-0
STRADA MESA,HD,ST,096,000,06,SN,
N,40



TE Part #1775468-2
Dual Stack USB,G/F, w/o spring, R/A,
DIP



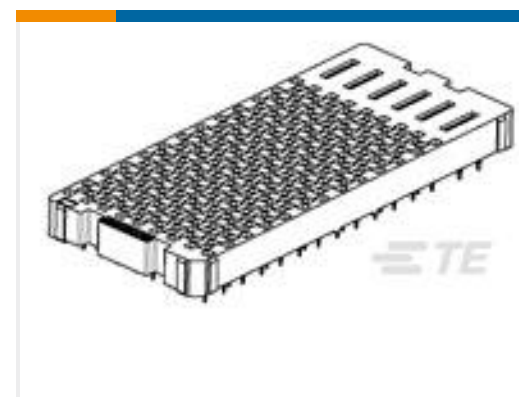
TE Part #2007099-4
SFP+ 1x4 Light Pipe Assembly



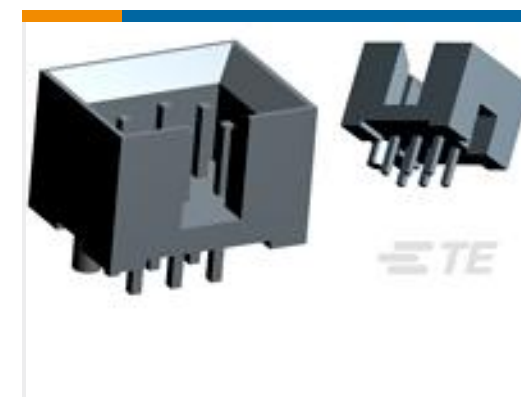
TE Part #2204929-3
MATING BLADE, CROWN CLIP
SOCKET



TE Part #2309502-1
SFP+ 1X2 CAGE ASSEMBLY, 1
DEGREE



TE Part #5-2110481-1
STRADA MESA,RC,ST,096,000,06,SN,
N,NA



TE Part #2041540-1
2.0mm Box Header, 6 Pos. Vertical, DIP

Documents

Product Drawings

[1X4 QSFP KIT ASSY LP&HS&ORG](#)

English

CAD Files

[3D PDF](#)

[3D](#)

[Customer View Model](#)

[ENG_CVM_CVM_2170378-3_A.2d_dxf.zip](#)



English

Customer View Model

[ENG_CVM_CVM_2170378-3_A.3d_igs.zip](#)

English

Customer View Model

[ENG_CVM_CVM_2170378-3_A.3d_stp.zip](#)

English

By downloading the CAD file I accept and agree to the [Terms and Conditions](#) of use.

Product Specifications

[Application Specification](#)

English

[Application Specification](#)

English