

# 2170231-2 ✓ ACTIVE

TE Internal #: 2170231-2

Card Edge Power Connectors, Board-to-Board, 20 Position, 8.24 mm / 6.84 mm [.324 in / .27 in] Centerline, Power & Signal, 16 Power Positions

[View on TE.com >](#)



Connectors > PCB Connectors > Card Edge Connectors > Card Edge Power Connectors



Connector System: **Board-to-Board**

Number of Positions: **20**

Centerline (Pitch): **6.84 mm, 8.24 mm [ .27 in, .324 in ]**

Connector & Contact Terminates To: **Printed Circuit Board**

Contact Current Rating (Max): **15 A**

## Features

### Product Type Features

Connector System	Board-to-Board
Connector & Contact Terminates To	Printed Circuit Board

### Configuration Features

PCB Mount Orientation	Vertical
Number of Positions	20
Number of Power Positions	16
Number of Signal Positions	4
Number of Dual Positions	8

### Electrical Characteristics

Operating Voltage	300 V
-------------------	-------

### Body Features

Primary Product Color	Black
-----------------------	-------

### Contact Features

Contact Mating Area Plating Material Thickness	.76 $\mu$ m[30 $\mu$ in]
Contact Underplating Material	Nickel
PCB Contact Termination Area Plating Material	Tin
Contact Base Material	Phosphor Bronze
Contact Current Rating (Max)	15 A



Contact Mating Area Plating Material	Gold
--------------------------------------	------

### Termination Features

Termination Post & Tail Length	3.5 mm[.138 in]
Termination Method to Printed Circuit Board	Through Hole - Press-Fit

### Mechanical Attachment

PCB Mount Retention	With
Connector Mounting Type	Board Mount

### Housing Features

Housing Material	Polyester GF
Centerline (Pitch)	6.84 mm, 8.24 mm[.27 in][.324 in]

### Dimensions

Power Contact Centerline	2 mm[.078 in]
--------------------------	---------------

### Usage Conditions

Operating Temperature Range	-55 – 105 °C[-67 – 221 °F]
-----------------------------	----------------------------

### Operation/Application

Circuit Application	Power & Signal
---------------------	----------------

### Industry Standards

UL Flammability Rating	UL 94V-0
------------------------	----------

### Other

Position Locations Omitted	0
----------------------------	---

### Product Compliance

[For compliance documentation, visit the product page on TE.com>](#)

EU RoHS Directive 2011/65/EU	Compliant
EU ELV Directive 2000/53/EC	Compliant
China RoHS 2 Directive MIIT Order No 32, 2016	No Restricted Materials Above Threshold
EU REACH Regulation (EC) No. 1907/2006	Current ECHA Candidate List: JUNE 2023 (235) Candidate List Declared Against: JUNE 2023 (235) Does not contain REACH SVHC
Halogen Content	Not Low Halogen - contains Br or Cl > 900 ppm.



Solder Process Capability

Not applicable for solder process capability

Product Compliance Disclaimer


This information is provided based on reasonable inquiry of our suppliers and represents our current actual knowledge based on the information they provided. This information is subject to change. The part numbers that TE has identified as EU RoHS compliant have a maximum concentration of 0.1% by weight in homogenous materials for lead, hexavalent chromium, mercury, PBB, PBDE, DBP, BBP, DEHP, DIBP, and 0.01% for cadmium, or qualify for an exemption to these limits as defined in the Annexes of Directive 2011/65/EU (RoHS2). Finished electrical and electronic equipment products will be CE marked as required by Directive 2011/65/EU. Components may not be CE marked. Additionally, the part numbers that TE has identified as EU ELV compliant have a maximum concentration of 0.1% by weight in homogenous materials for lead, hexavalent chromium, and mercury, and 0.01% for cadmium, or qualify for an exemption to these limits as defined in the Annexes of Directive 2000/53/EC (ELV). Regarding the REACH Regulation, the information TE provides on SVHC in articles for this part number is based on the latest European Chemicals Agency (ECHA) 'Guidance on requirements for substances in articles' posted at this URL: <https://echa.europa.eu/guidance-documents/guidance-on-reach>

### Compatible Parts



TE Part # 2343428-1  
HD+ CE, RA, CRPS

### Customers Also Bought



TE Part #2227728-1  
zSFP+ 1x2 Cage Assy, Press-Fit



TE Part #5646731-1  
Z-PACK 2MM HM TYPE A/B 125P



TE Part #5646574-1  
Z-PACK A/B REC ASY 125P 2MMHM



TE Part #2-1462051-4  
HF3 93S=50OHM140MW 5V BIST 2CO



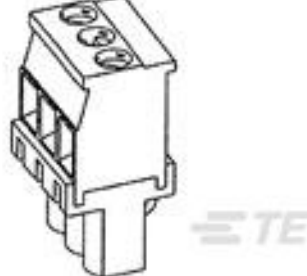
TE Part #5-1437719-7  
T01-0560-S04-FEMALE REC PANEL-PCB MNT RA



TE Part #6469048-1  
HMZD 4PR RA HDR 80P ASSY LF



TE Part #2065657-1  
zd Plus, 4 pair, receptacle assy



TE Part #284041-2  
TERMINAL BLOCK VERTICAL PLUG S



## Documents

### Product Drawings

[Hybrid Card Edge Power Connect](#)

English

### CAD Files

[3D PDF](#)

3D

[Customer View Model](#)

[ENG\\_CVM\\_CVM\\_2170231-2\\_B.2d\\_dxf.zip](#)

English

[Customer View Model](#)

[ENG\\_CVM\\_CVM\\_2170231-2\\_B.3d\\_stp.zip](#)

English

By downloading the CAD file I accept and agree to the [Terms and Conditions](#) of use.

### Product Specifications

[Application Specification](#)

English

### Agency Approvals

[UL Report](#)

English