

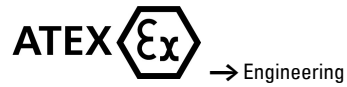
## Emergency stop button non-illumin.

Part no.

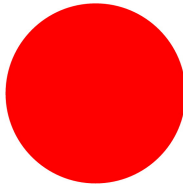
M22-PV

Article no.

216876



### Delivery programme

Range			RMQ-Titan (drilling dimensions 22.5 mm)
Basic function			Emergency stop buttons
Description			Pull to release
Construction type			Mushroom-shaped
Diameter		mm	38
Colour mushroom head			Red
Colour mushroom head			
Illumination			Without illumination
RAL Value			RAL 3000
Front ring			Bezel: Silver
Connection to SmartWire-DT			yes
Instructions			Release by pulling

#### Notes



### Approbationen

Product Standards  
UL File No.  
UL CCN  
CSA File No.  
CSA Class No.  
NA Certification  
Degree of Protection

IEC/EN 60947-5; UL 508; CSA-C22.2 No. 14-05; CSA-C22.2 No. 94-91; CE marking  
E29184  
NKCR  
012528  
3211-03  
UL Listed, CSA certified  
UL/CSA Type 3R, 4X, 12, 13

### General

Standards			IEC/EN 60947 VDE 0660
-----------	--	--	--------------------------

Lifespan, mechanical	Operations	$\times 10^6$	> 0.1
Operating frequency	Operations/h		$\frac{1}{600}$
Actuating force		n	50
Protection type			IP66, IP69K
Climatic proofing			Damp heat, constant to IEC 60068-2-78 Damp heat, cyclic to IEC 60068-2-30
Ambient temperature		°C	
Open		°C	- 25 - + 70
Mounting position			As required
Mechanical shock resistance		g	50 Shock duration 11 ms Sinusoidal according to IEC 60068-2-27

## Technische Daten nach ETIM 4.0

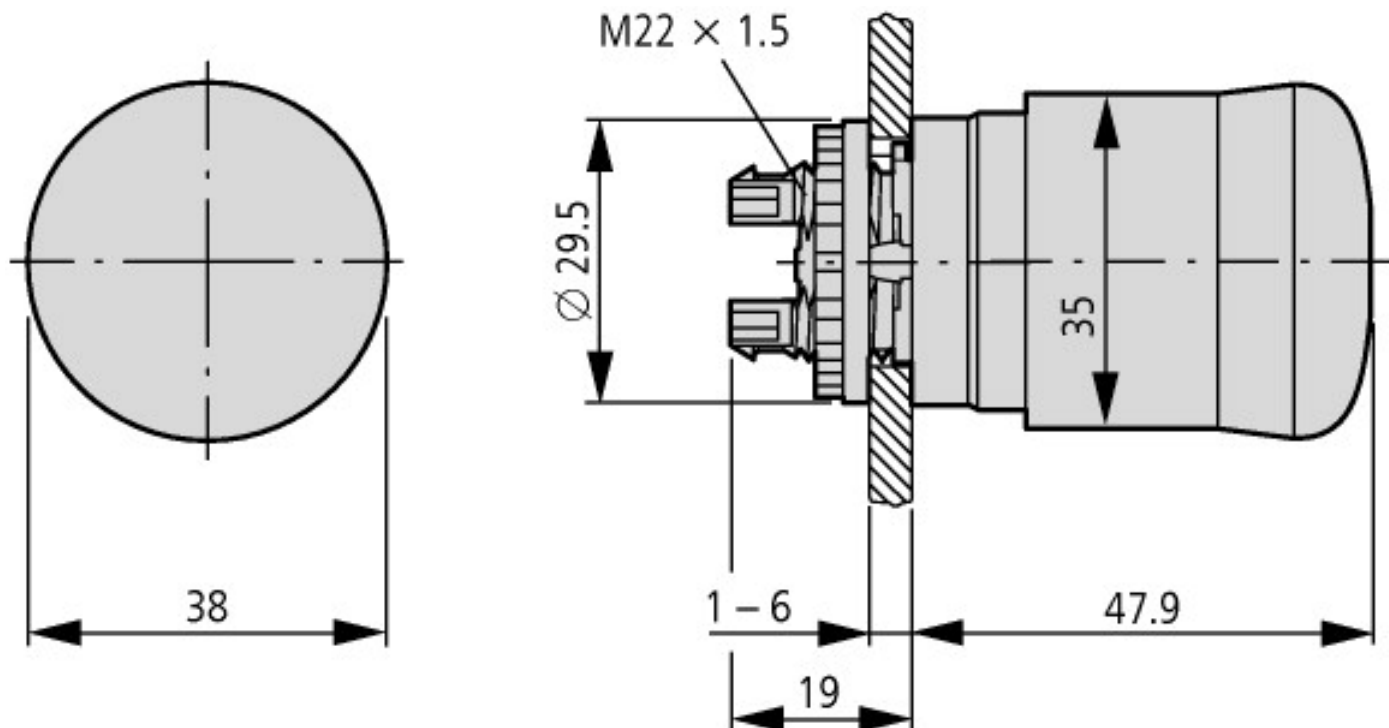
With bezel			No
Unlocking method			Pull release
Lens design			Round
Suitable for illumination			No
Hole diameter		mm	22
Suitable for emergency switching off			YES
Color button			red
Color bezel			Chrome
Width of opening		mm	22
Height meter opening		mm	6
Protection type (IP)			IP66
Material front ring			Insulated material
Diameter cap		mm	38
Momentary			No
Switching function latching			YES
Design of button			flush

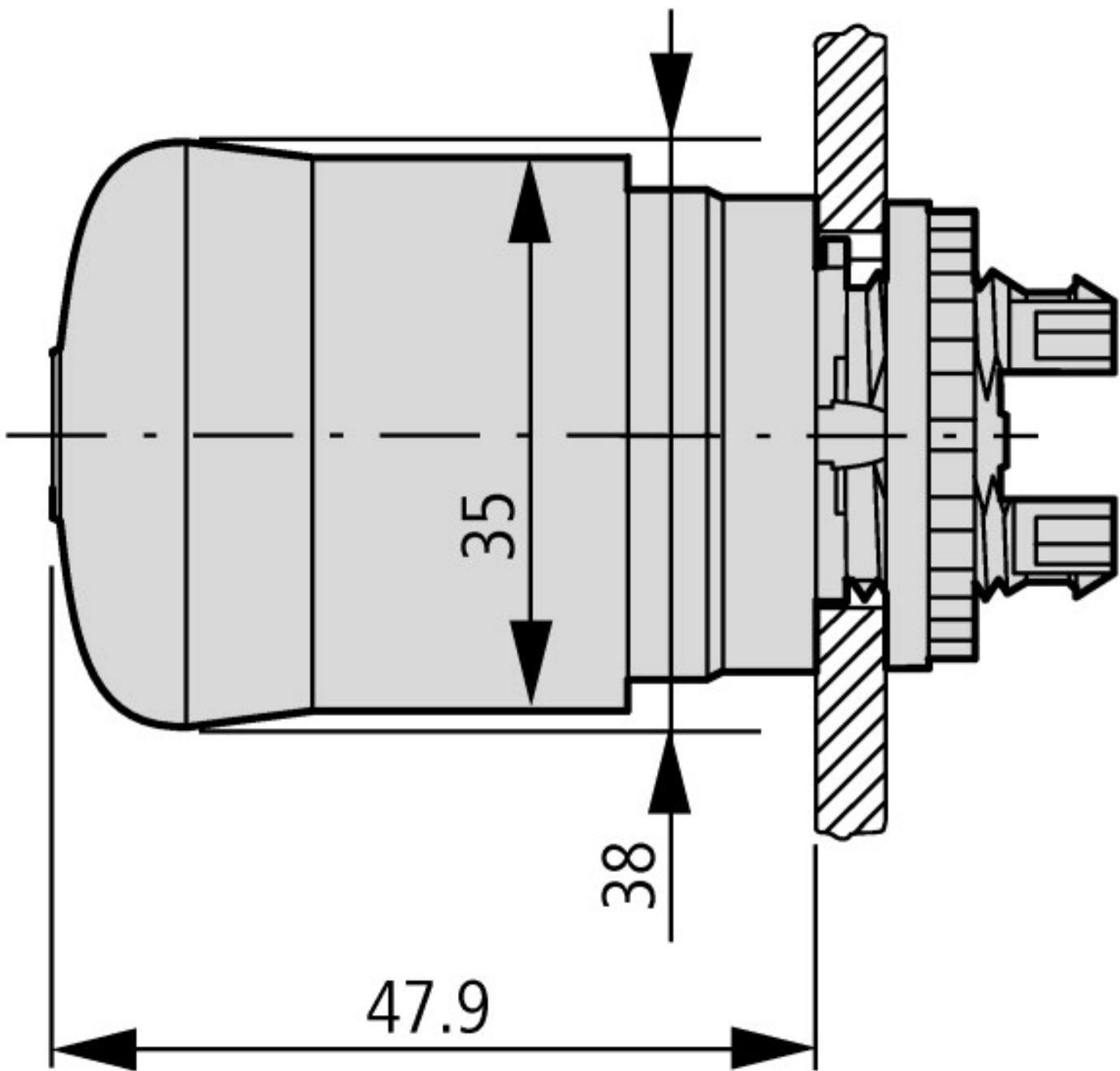
## CAD-Daten

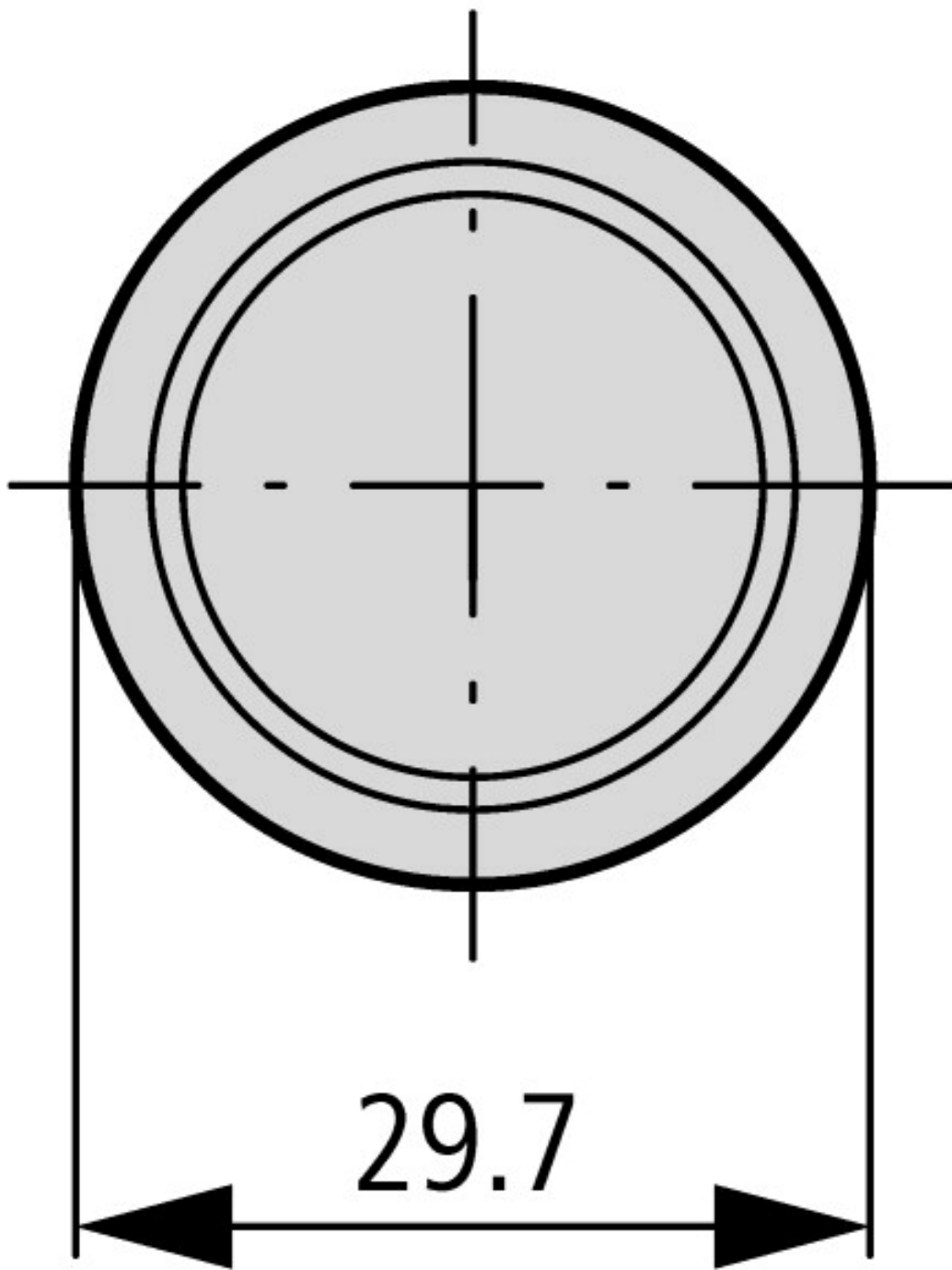
Product standards CAD data:

<http://eaton-moeller.partcommunity.com>

## Dimensions







**Additional product information (links)**

AWA1160-1745 (IL04716002Z) The RMQ-Titan system

[ftp://ftp.moeller.net/DOCUMENTATION/AWA\\_INSTRUCTIONS/17450510.pdf](ftp://ftp.moeller.net/DOCUMENTATION/AWA_INSTRUCTIONS/17450510.pdf)