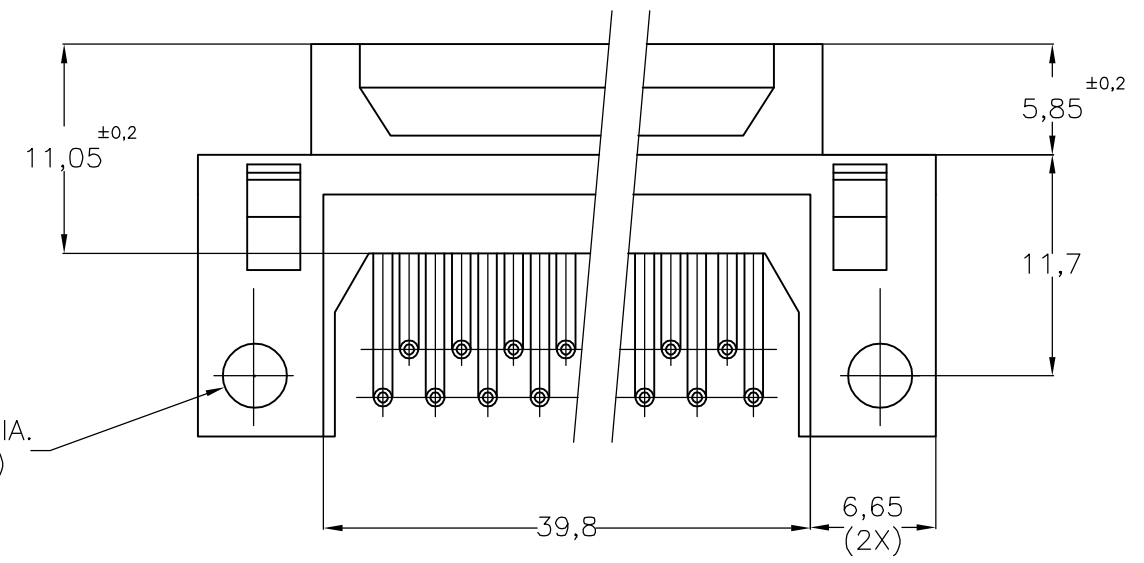
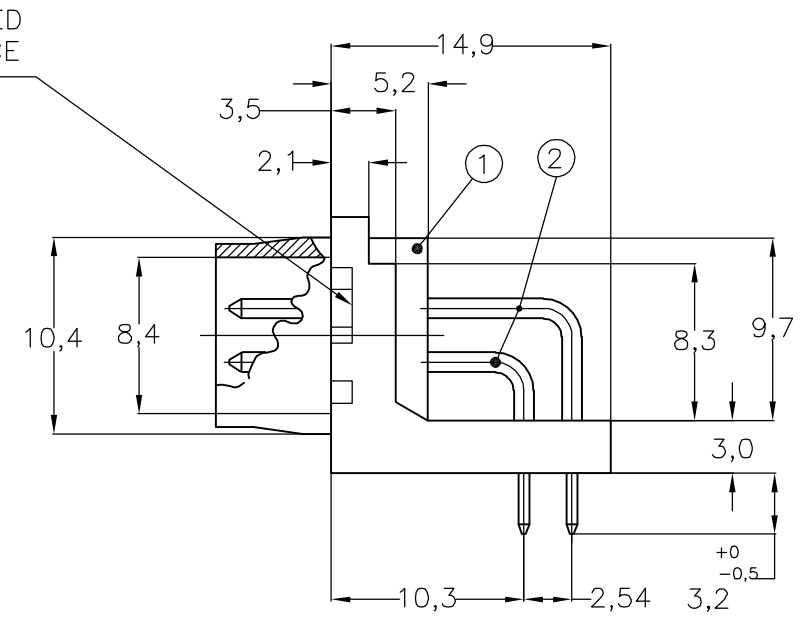
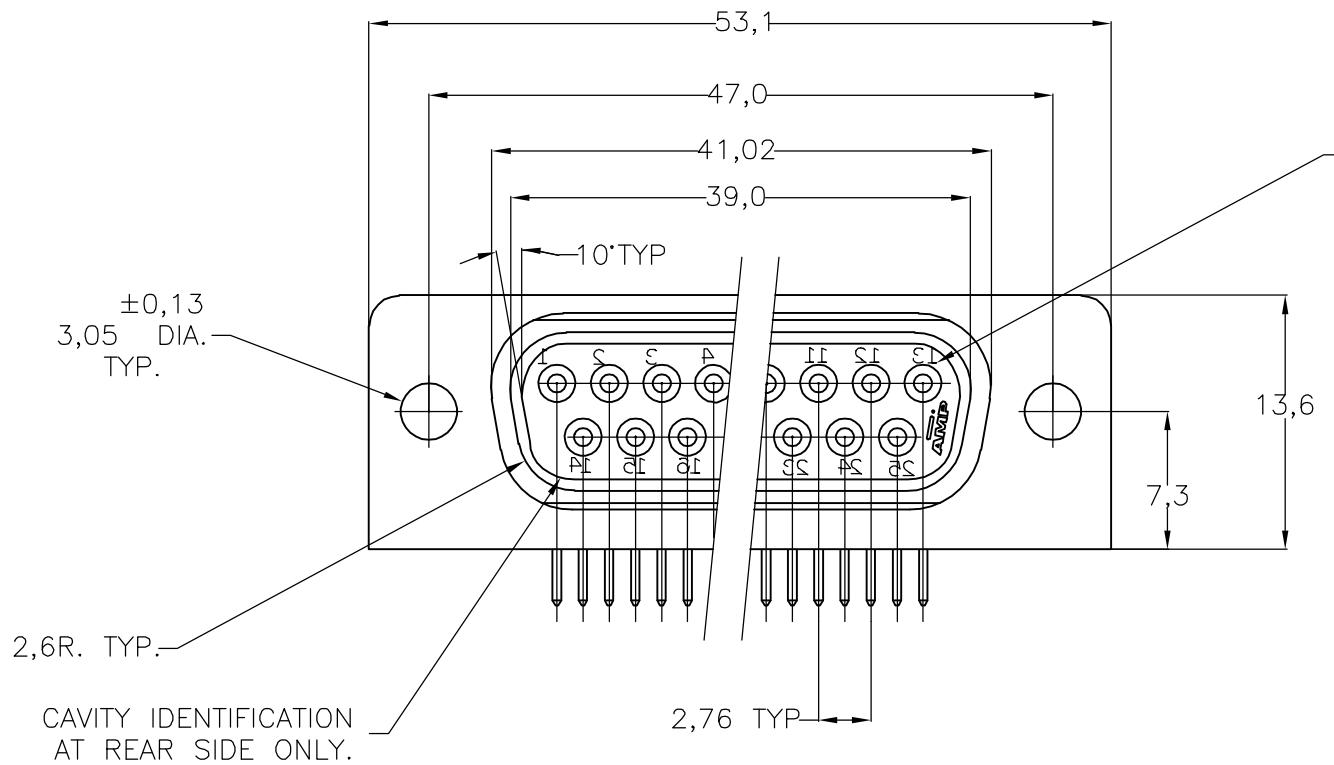
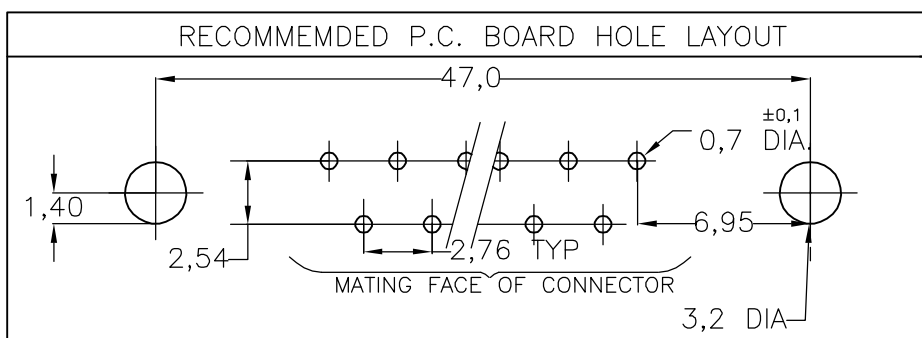


THIS DRAWING IS UNPUBLISHED. RELEASED FOR PUBLICATION  
 © COPYRIGHT - BY TYCO ELECTRONICS CORPORATION. ALL RIGHTS RESERVED.

LOC	DIST	REVISIONS					
		P	LTR	DESCRIPTION	DATE	DWN	APVD
-	-		G	EHCO-0317-04	10-06-04	JvdH	-
			H	EHCO-0357-04	24-06-04	JvdH	-
			J	ECR-07-002492	12-02-07	BSV	MK



- NOTES:
- HOUSING: BLACK GLASSFILLED POLYESTER.
  - CONTACT MATERIAL: BRASS.  
 PLATING: UNDERCOATING: 1,3um Ni.  
 SELECTIVE: 1,3um Au.  
 SOLDER PART: 2,5um BRIGHT TIN.



THIS DRAWING IS A CONTROLLED DOCUMENT.		DWN P.BEIJNON 03JAN90	Tyco Electronics Corporation s-HertogenBosch, Nederlands,	
DIMENSIONS: MM	TOLERANCES UNLESS OTHERWISE SPECIFIED:	CHK R.FIJTEN 10MAY00	NAME	
	0 PLC $\pm -$	APVD R.FIJTEN 10MAY00	25 POS. HDP-20 PLUG ASS'Y	
	1 PLC $\pm -$	PRODUCT SPEC	RIGHT ANGLE, SIZE 3	
	2 PLC $\pm -$	APPLICATION SPEC	MARK II, ALL-PLASTIC	
	3 PLC $\pm -$		SIZE	CAGE CODE
	4 PLC $\pm -$		A3	00779
	ANGLES $\pm -$		DRAWING NO	C-216850
MATERIAL -	FINISH -	WEIGHT -	RESTRICTED TO -	
CUSTOMER DRAWING			SCALE NTS	SHEET 1 OF 1
			REV J	



Have a Question?  
Chat with a Product  
Information Specialist

My Cart | My Part Lists | [Sign In/Register](#)

English [\(Change\)](#)

Japan  
Update

What can we help you find?



[Products](#) [Industries](#) [Resources](#) [About TE](#) [Support Center](#) [My Account](#)

## 216850-3 Product Details

Share Print Email

Detailed product features are not currently available online.

Product features can often be found by referring to the available documents. [Contact us](#) for information about this product.

No Image Available

### 25P.HDP20 PLUG ASSY

Always EU RoHS/ELV Compliant ([Statement of Compliance](#))

#### Quick Links

- [Check Pricing & Availability](#)
- [Search for Tooling](#)
- [Contact Us About This Product](#)

### 216850-3

TE Internal Number: 216850-3

[Active](#)

[Add to My Part List](#)

[Buy Product](#)

#### Documentation & Additional Information

##### Product Drawings:

- [25 POS. HDP-20 PLUG ASS'Y RIGHT ANGLE, SIZE 3 MARK I...](#) (PDF, English)

##### Catalog Pages/Data Sheets:

- None Available

##### Product Specifications:

- None Available

##### Application Specifications:

- None Available

##### Instruction Sheets:

- None Available

##### CAD Files:

- None Available

[List all Documents](#)

##### Related Products:

- [Tooling](#)

#### Corporate Information

[Who We Are](#)

[Investors](#)

[News Room](#)

[Supplier Portal](#)

[Careers](#)

#### Quick Links

[Check Distributor Inventory](#)

[Cross Reference](#)

[Find Documents & Drawings](#)

[Product Compliance Support Center](#)

[Site Map](#)

#### Customer Support

[Email or Chat With Us](#)

[Find a Phone Number](#)

[Search Knowledge Base](#)

[Manage your Account](#)

#### Sign up for our eNewsletter

Enter your email address

#### Follow Us On:

[Twitter](#) [Facebook](#) [Flickr](#) [LinkedIn](#) [YouTube](#)

#### Visit Us On:

