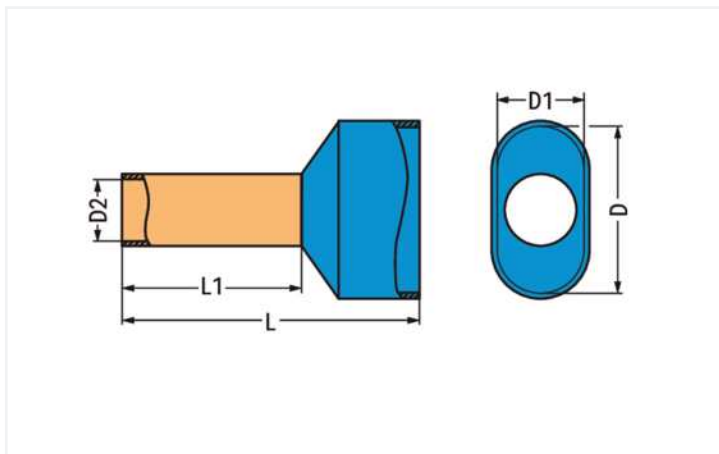


Data Sheet | Item Number: 216-542

Twin ferrule; Sleeve for 2 x 1 mm² / AWG 2 x 18; red, insulated; 12 mm long; red



<https://www.wago.com/216-542>



Technical data

Main product function	Ferrule
Sleeve cross-section (AWG)	18 AWG
Sleeve for	1 mm ²

Connection data

Strip length	12 mm / 0.47 inches
Fine-stranded conductor	1 mm ² / 18 AWG

Physical data

Length	19 mm
Length 1	12 mm
Diameter	5.8 mm
Diameter 1	3.2 mm
Diameter 2	2 mm

Material Data

Color	red
Fire load	0 MJ
Weight	0.2 g

Commercial data

Product Group	2 (Terminal Block Accessories)
eCl@ss 10.0	27-40-02-01
eCl@ss 9.0	27-40-02-01
ETIM 8.0	EC000005
ETIM 7.0	EC000005
PU (SPU)	500 pcs
Packaging type	Box
Country of origin	DE
GTIN	4045454331542
Customs tariff number	85369010000

Downloads

Environmental Product Compliance

Compliance Search

Environmental Product
Compliance 216-542



Documentation

Bid Text

216-542	19.02.2019	xml 2.57 KB	
216-542	04.01.2018	doc 22.00 KB	

Installation Notes

