

Data Sheet | Item Number: 216-413

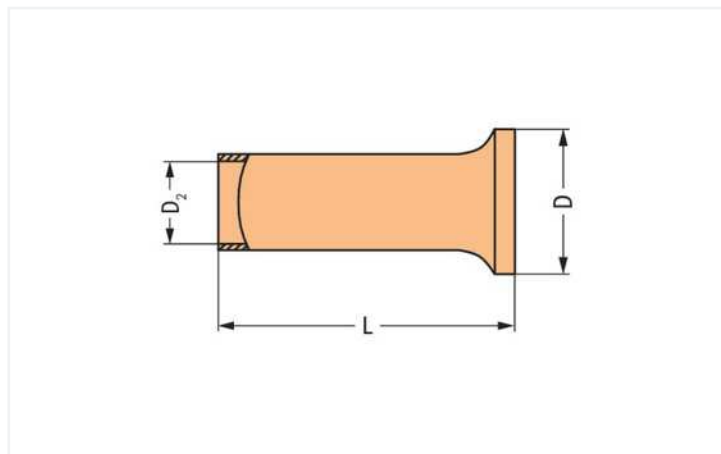
Ferrule; Sleeve for 25 mm² / AWG 4; uninsulated; electro-tin plated; electrolytic copper; gastight crimped; acc. to DIN 46228, Part 1/08.92; silver-colored



<https://www.wago.com/216-413>



Color:  silver-colored



Dimensions in mm

Technical data

Main product function	Ferrule
Sleeve cross-section (AWG)	4 AWG
Sleeve for	25 mm ²

Connection data

Strip length	25 mm / 0.98 inches
--------------	---------------------

Physical data

Length	25 mm
Diameter	9.5 mm
Diameter 2	7.3 mm

Material Data

Color	silver-colored
Fire load	0 MJ
Weight	1.1 g

Commercial data

Product Group	2 (Terminal Block Accessories)
eCl@ss 10.0	27-40-02-01
eCl@ss 9.0	27-40-02-01
ETIM 8.0	EC000005
ETIM 7.0	EC000005
PU (SPU)	50 pcs
Packaging type	Box
Country of origin	DE
GTIN	4050821134176
Customs tariff number	85369010000

Downloads

Environmental Product Compliance

Compliance Search

Environmental Product
Compliance 216-413



Documentation

Bid Text

216-413	11.09.2017	doc 24.00 KB	
216-413	19.02.2019	xml 2.77 KB	

Installation Notes

