

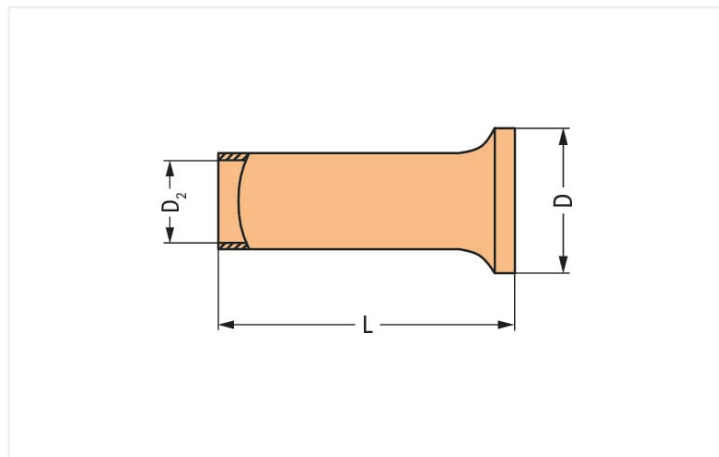
## Data Sheet | Item Number: 216-108

Ferrule; Sleeve for 6 mm<sup>2</sup> / AWG 10; uninsulated; electro-tin plated; silver-colored

<https://www.wago.com/216-108>



Color: ■ silver-colored



Dimensions in mm

### Technical data

Sleeve cross-section (AWG)	10 AWG
Sleeve for	6 mm <sup>2</sup>

### Connection data

Strip length	12 mm / 0.47 inches
--------------	---------------------

### Physical data

Length	12 mm
Diameter	4.7 mm
Diameter crimp sleeve inside	3.5 mm

### Material data

Color	silver-colored
Fire load	0 MJ
Weight	0.2 g

### Commercial data

Product Group	2 (Terminal Block Accessories)
eCl@ss 10.0	27-40-02-01
eCl@ss 9.0	27-40-02-01
ETIM 9.0	EC000005
ETIM 8.0	EC000005
PU (SPU)	1000 (250) pcs
Packaging type	Box
Country of origin	DE
GTIN	4017332277709
Customs tariff number	85369010000

### Environmental Product Compliance

RoHS Compliance Status	Compliant, No Exemption
------------------------	-------------------------

### Downloads

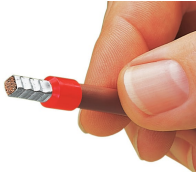
#### Environmental Product Compliance

Compliance Search	
Environmental Product Compliance 216-108	<a href="#">↓</a>

### Documentation

Bid Text			
216-108	11.09.2017	doc 24.00 KB	<a href="#">↓</a>
216-108	19.02.2019	xml 2.77 KB	<a href="#">↓</a>

### Installation Notes



A perfect gas-tight crimp – both electrically and mechanically reliable