

2154857-3 ✓ ACTIVE

LUMAWISE | LUMAWISE LED Holders

TE Internal #: 2154857-3

LED Holders, Bridgelux V22, No Driver on Board, 250 VDC, Poke-In, 1 mm, Wire-to-Component, Power, -40 – 105 °C, LUMAWISE LED Holders

[View on TE.com >](#)



Connectors > Lighting Connectors > LED Holders



Compatible LED: **Bridgelux V22**

Lighting Connector Features Included: **No Driver on Board**

Operating Voltage: **250 VDC**

Termination Method to Wire & Cable: **Poke-In**

COB Substrate Thickness: **1 mm**

## Features

### Product Type Features

Product Type	LED Holder
COB Substrate Thickness	1 mm
Connector System	Wire-to-Component
Sealable	No

### Configuration Features

Lighting Connector Features Included	No Driver on Board
--------------------------------------	--------------------

### Electrical Characteristics

Operating Voltage	250 VDC
-------------------	---------

### Body Features

Compatible LED	Bridgelux V22
----------------	---------------

### Contact Features

Contact Current Rating (Max)	4 A
------------------------------	-----

### Termination Features



Termination Method to Wire & Cable	Poke-In
------------------------------------	---------

### Usage Conditions

Operating Temperature Range	-40 – 105 °C
-----------------------------	--------------

### Operation/Application

Circuit Application	Power
---------------------	-------

## Product Compliance

[For compliance documentation, visit the product page on TE.com>](#)

EU RoHS Directive 2011/65/EU	Compliant
EU ELV Directive 2000/53/EC	Compliant
China RoHS 2 Directive MIIT Order No 32, 2016	No Restricted Materials Above Threshold
EU REACH Regulation (EC) No. 1907/2006	Current ECHA Candidate List: JAN 2023 (233) Candidate List Declared Against: JAN 2021 (211) Does not contain REACH SVHC
Halogen Content	Low Halogen - Br, Cl, F, I < 900 ppm per homogenous material. Also BFR/CFR/PVC Free
Solder Process Capability	Not applicable for solder process capability

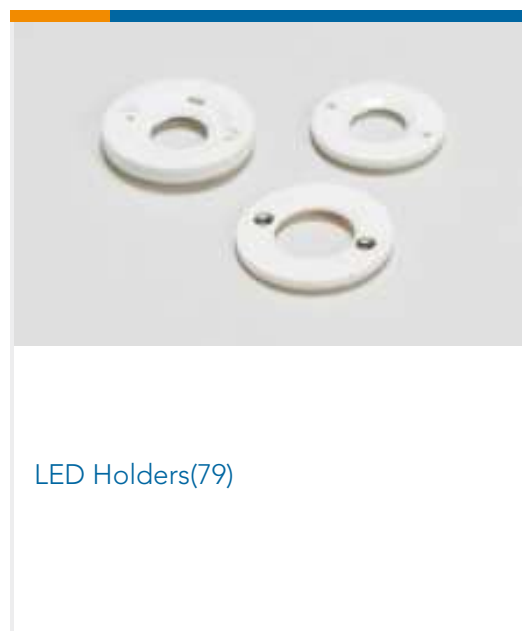
#### Product Compliance Disclaimer

This information is provided based on reasonable inquiry of our suppliers and represents our current actual knowledge based on the information they provided. This information is subject to change. The part numbers that TE has identified as EU RoHS compliant have a maximum concentration of 0.1% by weight in homogenous materials for lead, hexavalent chromium, mercury, PBB, PBDE, DBP, BBP, DEHP, DIBP, and 0.01% for cadmium, or qualify for an exemption to these limits as defined in the Annexes of Directive 2011/65/EU (RoHS2). Finished electrical and electronic equipment products will be CE marked as required by Directive 2011/65/EU. Components may not be CE marked. Additionally, the part numbers that TE has identified as EU ELV compliant have a maximum concentration of 0.1% by weight in homogenous materials for lead, hexavalent chromium, and mercury, and 0.01% for cadmium, or qualify for an exemption to these limits as defined in the Annexes of Directive 2000/53/EC (ELV). Regarding the REACH Regulation, the information TE provides on SVHC in articles for this part number is based on the latest European Chemicals Agency (ECHA) 'Guidance on requirements for substances in articles' posted at this URL: <https://echa.europa.eu/guidance-documents/guidance-on-reach>

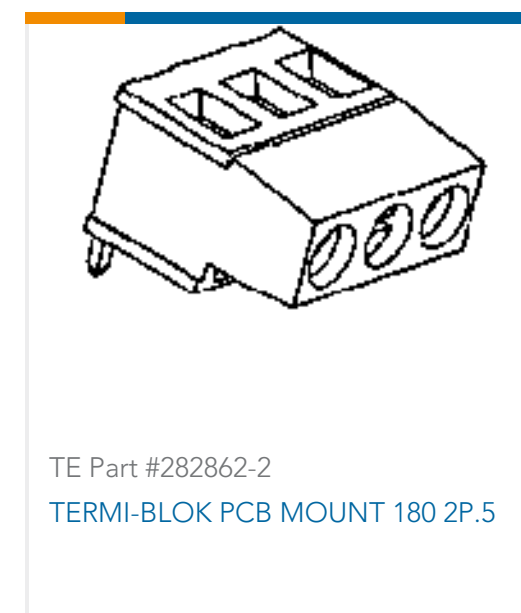
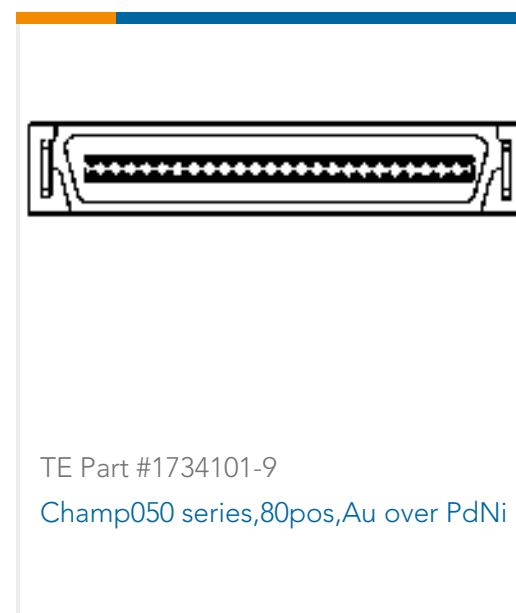
## Compatible Parts



## Also in the Series | LUMAWISE LED Holders



## Customers Also Bought



## Documents

### Product Drawings

HOLDER, SCALABLE LED, 2PC

English

### CAD Files

3D PDF

3D

Customer View Model

[ENG\\_CVM\\_CVM\\_2154857-3\\_A\\_c-2154857-3-a.2d\\_dxf.zip](#)

English

Customer View Model

[ENG\\_CVM\\_CVM\\_2154857-3\\_A\\_c-2154857-3-a.3d\\_igs.zip](#)

English

Customer View Model

[ENG\\_CVM\\_CVM\\_2154857-3\\_A\\_c-2154857-3-a.3d\\_stp.zip](#)



English

By downloading the CAD file I accept and agree to the [Terms and Conditions](#) of use.

[Product Specifications](#)

[Application Specification](#)

English