

2150960-1 ✓ ACTIVE

AMP

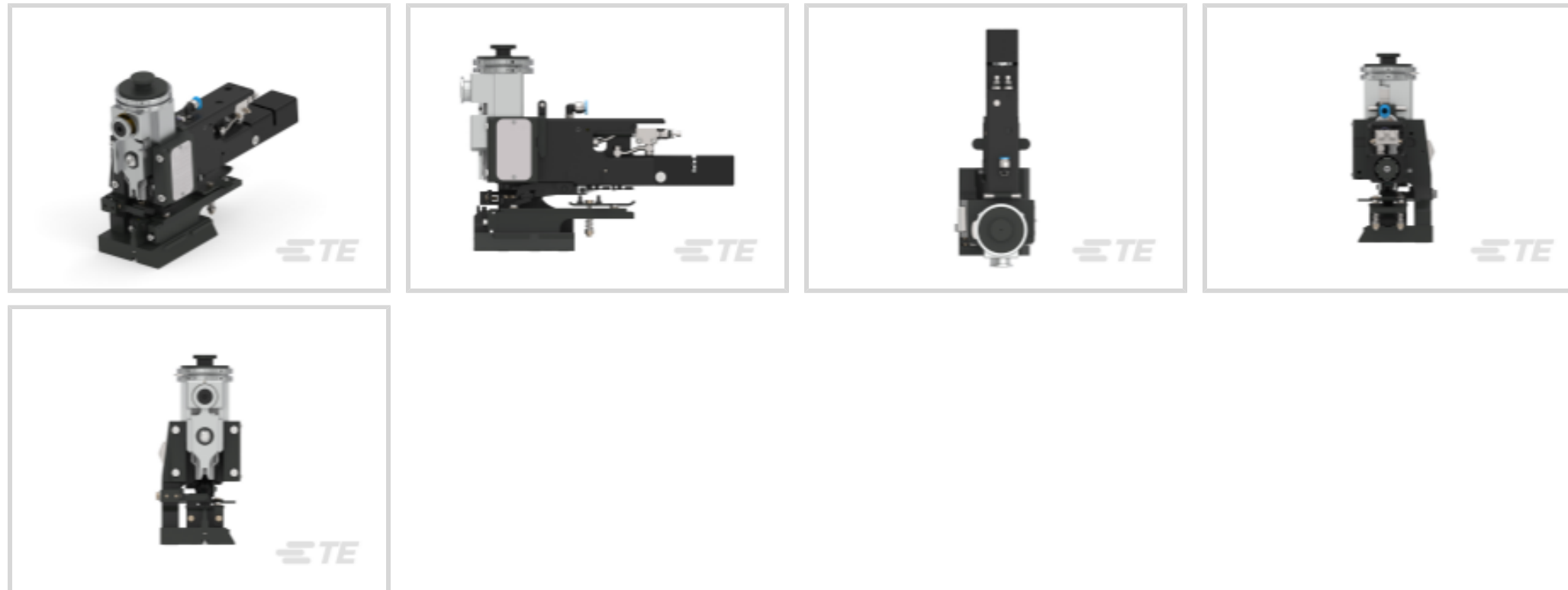
TE Internal #: 2150960-1

Mechanical Feed, OCEAN, Male Adapter Post - Atlantic Style Interface, 30 mm (1.12") Stroke Terminator / 40 mm (1.62") Stroke Terminator, Applicators

[View on TE.com >](#)



Application Tooling > Applicators



Applicator Feed Type: **Mechanical**

Applicator & Product Style: **OCEAN**

Application Interface: **Male Adapter Post - Atlantic Style**

Terminator Type: **30 mm (1.12") Stroke Terminator, 40 mm (1.62") Stroke Terminator**

Wire Crimp Width: **1.4 mm [.055 in]**

Features

Contact Features

Crimp Type	F-Crimp
------------	---------

Dimensions

Wire Crimp Width	1.4 mm[.055 in]
Insulation Diameter Range	.89 – 1.65 mm[.035 – .065 in]

Other

Applicator Feed Type	Mechanical
Applicator & Product Style	OCEAN
Application Interface	Male Adapter Post - Atlantic Style
Terminator Type	30 mm (1.12") Stroke Terminator, 40 mm (1.62") Stroke Terminator
Service Options	Capability Study, Crimped Samples, Cross Section - Photograph
Alignment Aids	Alignment Gauge, Camera

Product Compliance



[For compliance documentation, visit the product page on TE.com>](#)

EU RoHS Directive 2011/65/EU	Out of Scope
EU ELV Directive 2000/53/EC	Out of Scope
China RoHS 2 Directive MIIT Order No 32, 2016	No Restricted Materials Above Threshold
EU REACH Regulation (EC) No. 1907/2006	Current ECHA Candidate List: JUNE 2024 (241) Candidate List Declared Against: JAN 2022 (223) Does not contain REACH SVHC
Halogen Content	Low Halogen - Br, Cl, F, I < 900 ppm per homogenous material. Also BFR/CFR/PVC Free
Solder Process Capability	Not applicable for solder process capability

Product Compliance Disclaimer

This information is provided based on reasonable inquiry of our suppliers and represents our current actual knowledge based on the information they provided. This information is subject to change. The part numbers that TE has identified as EU RoHS compliant have a maximum concentration of 0.1% by weight in homogenous materials for lead, hexavalent chromium, mercury, PBB, PBDE, DBP, BBP, DEHP, DIBP, and 0.01% for cadmium, or qualify for an exemption to these limits as defined in the Annexes of Directive 2011/65/EU (RoHS2). Finished electrical and electronic equipment products will be CE marked as required by Directive 2011/65/EU. Components may not be CE marked. Additionally, the part numbers that TE has identified as EU ELV compliant have a maximum concentration of 0.1% by weight in homogenous materials for lead, hexavalent chromium, and mercury, and 0.01% for cadmium, or qualify for an exemption to these limits as defined in the Annexes of Directive 2000/53/EC (ELV). Regarding the REACH Regulation, the information TE provides on SVHC in articles for this part number is based on the latest European Chemicals Agency (ECHA) 'Guidance on requirements for substances in articles' posted at this URL: <https://echa.europa.eu/guidance-documents/guidance-on-reach>

Compatible Parts




CRIMPER REPRESENTATION ONLY

TE Part # 1633738-4
CRIMPER, WIRE F



TE

TE Part # 61653-1
RING CRIMP 26-24 AWG BR



CRIMPER REPRESENTATION ONLY

TE Part # 1-2119582-1
Crimper, Insulation F Premium



TE

TE Part # 1803366-9
BLADE, SLUG



ANVIL REPRESENTATION ONLY

TE Part # 2-1803615-0
ANVIL, COMBINATION, END FEED



TE

TE Part # 2161500-2
AMP 5K/40 CE TERMINATOR, W/CQM



TE

TE Part # 2161700-4
5K CE STRIPPING MODULE



TE

TE Part # 2161700-5
5K CE STRIPPING MODULE W/ CQM



Customers Also Bought



Documents

Product Drawings

[OCEAN_2.0_Applicator-E-055F090F-REM](#)

English

Datasheets & Catalog Pages

[TE_APPLICATORS_CATALOG](#)

English

Instruction Sheets

[Instruction Sheet \(U.S.\)](#)

English

[Instruction Sheet \(U.S.\)](#)

English