



RAYCHEM

TE Internal #: 808226-000

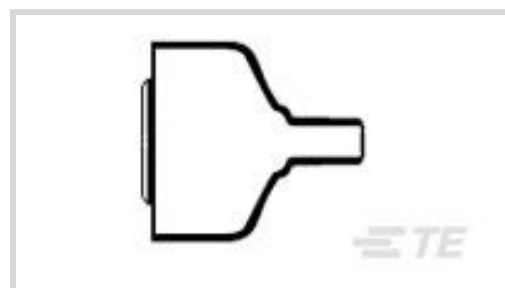
Heat Shrink Boots, Straight, 4, 10, Adhesive Purchased Separately

Adhesive Requirement, -55 – 135 °C [-67 – 275 °F], S1006 / S1125 /

S1048

[View on TE.com >](#)

Wire Protection & Management > Heat Shrink Shapes > Heat Shrink Boots



Body Orientation: **Straight**

Material Code: **4**

Material Systems Code: **10**

Adhesive Requirement: **Adhesive Purchased Separately**

Operating Temperature Range: **-55 – 135 °C [-67 – 275 °F]**

Features

Configuration Features

Adhesive Requirement	Adhesive Purchased Separately
----------------------	-------------------------------

Body Features

Primary Product Material	Polyolefin Flexible Modified
Material Code	4
Material Systems Code	10

Housing Features

Body Orientation	Straight
------------------	----------

Usage Conditions

Operating Temperature Range	-55 – 135 °C[-67 – 275 °F]
-----------------------------	----------------------------

Other

Adhesive Code	S1006, S1017, S1030, S1048, S1125
---------------	-----------------------------------

Product Compliance

[For compliance documentation, visit the product page on TE.com>](#)

EU RoHS Directive 2011/65/EU	Compliant
EU ELV Directive 2000/53/EC	Compliant
China RoHS 2 Directive MIIT Order No 32, 2016	No Restricted Materials Above Threshold
EU REACH Regulation (EC) No. 1907/2006	



Current ECHA Candidate List: JUNE 2024

(241)

Candidate List Declared Against: JAN 2024

(240)

Does not contain REACH SVHC

Halogen Content

Not Low Halogen - contains Br or Cl > 900 ppm.

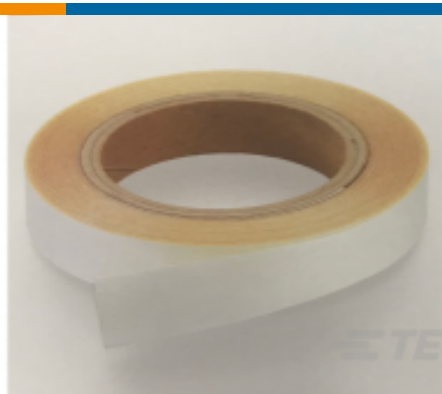
Solder Process Capability

Not applicable for solder process capability

Product Compliance Disclaimer

This information is provided based on reasonable inquiry of our suppliers and represents our current actual knowledge based on the information they provided. This information is subject to change. The part numbers that TE has identified as EU RoHS compliant have a maximum concentration of 0.1% by weight in homogenous materials for lead, hexavalent chromium, mercury, PBB, PBDE, DBP, BBP, DEHP, DIBP, and 0.01% for cadmium, or qualify for an exemption to these limits as defined in the Annexes of Directive 2011/65/EU (RoHS2). Finished electrical and electronic equipment products will be CE marked as required by Directive 2011/65/EU. Components may not be CE marked. Additionally, the part numbers that TE has identified as EU ELV compliant have a maximum concentration of 0.1% by weight in homogenous materials for lead, hexavalent chromium, and mercury, and 0.01% for cadmium, or qualify for an exemption to these limits as defined in the Annexes of Directive 2000/53/EC (ELV). Regarding the REACH Regulation, the information TE provides on SVHC in articles for this part number is based on the latest European Chemicals Agency (ECHA) 'Guidance on requirements for substances in articles' posted at this URL: <https://echa.europa.eu/guidance-documents/guidance-on-reach>

Compatible Parts

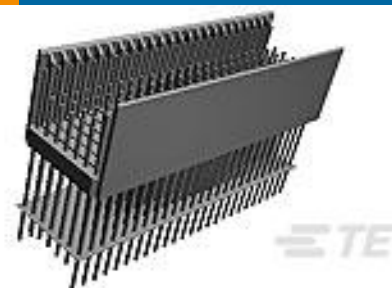


TE Part # 890060-000
S1017-1.0X50

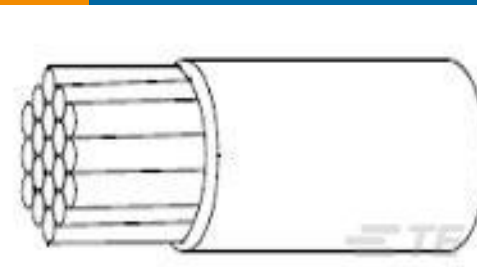
Customers Also Bought



TE Part #6609104-5
PEOSSSS60=C1130



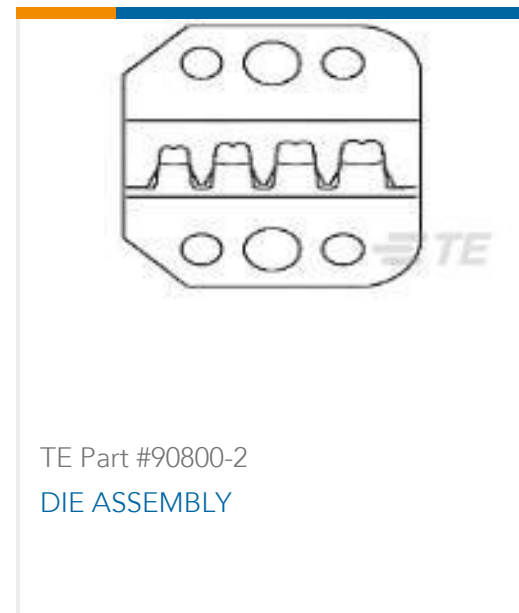
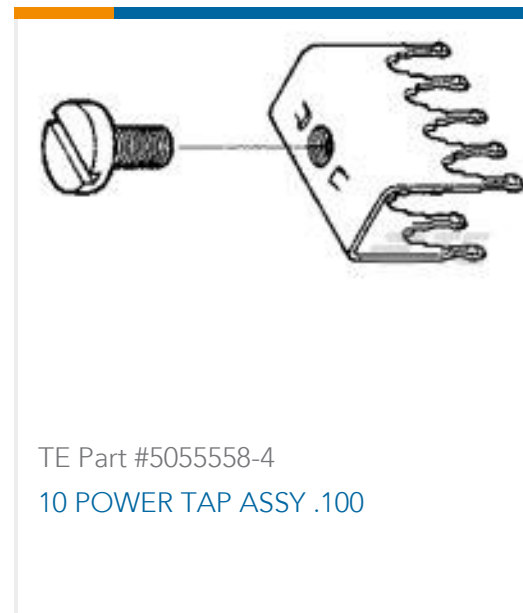
TE Part #352033-1
Z-PACK 2MM HM ASSY,TYPE-B 133P



TE Part #216257-000
55A0111-14-5



TE Part #1-2308265-4
QL SET FOR VARIANT B 4



Documents

Product Drawings

[214A021-4-0](#)

English

Datasheets & Catalog Pages

[1654025_Sec4_-4](#)

English

Raychem Molded Parts Visual Guide

English

Product Specifications

[Product Specification](#)

English