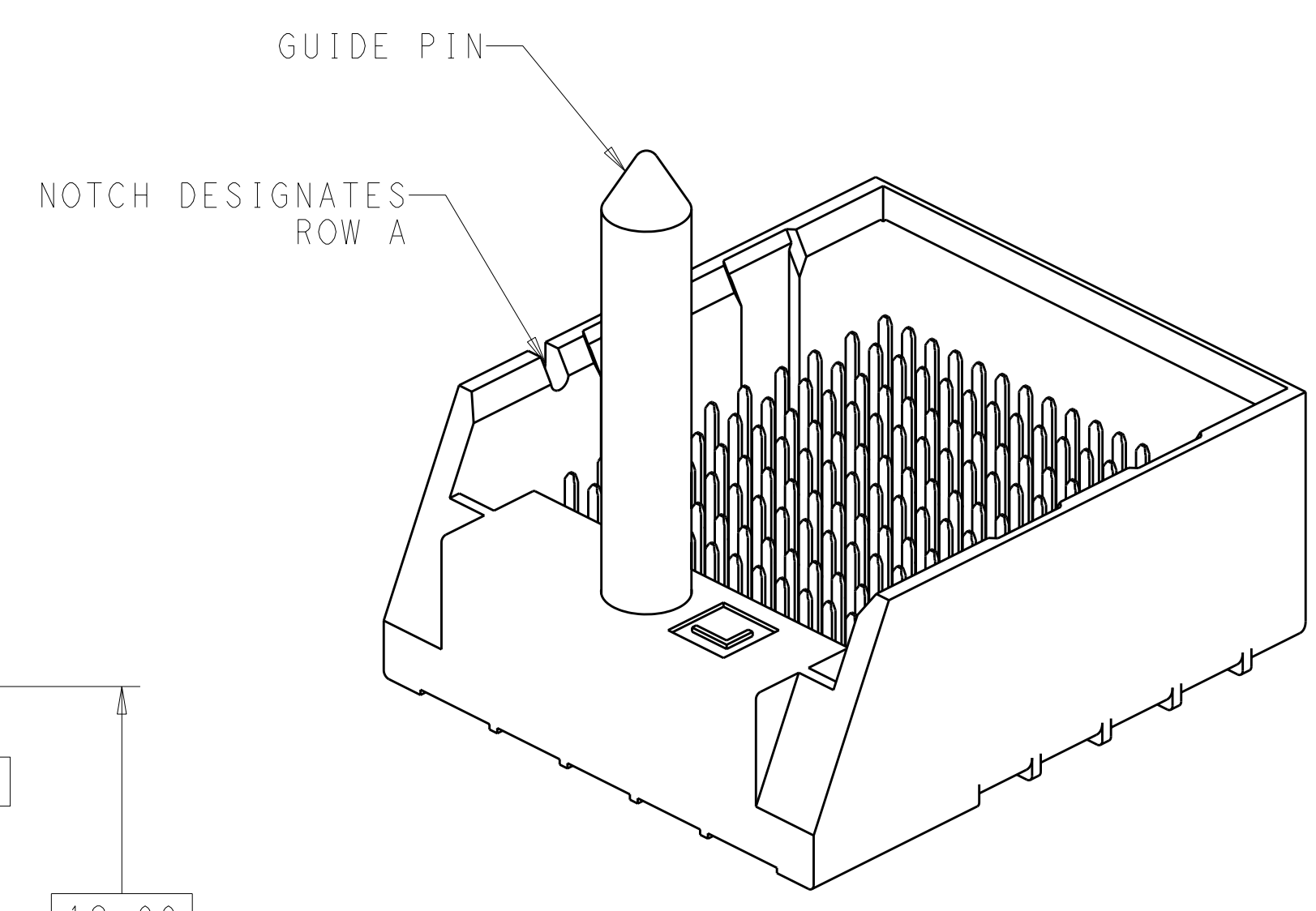
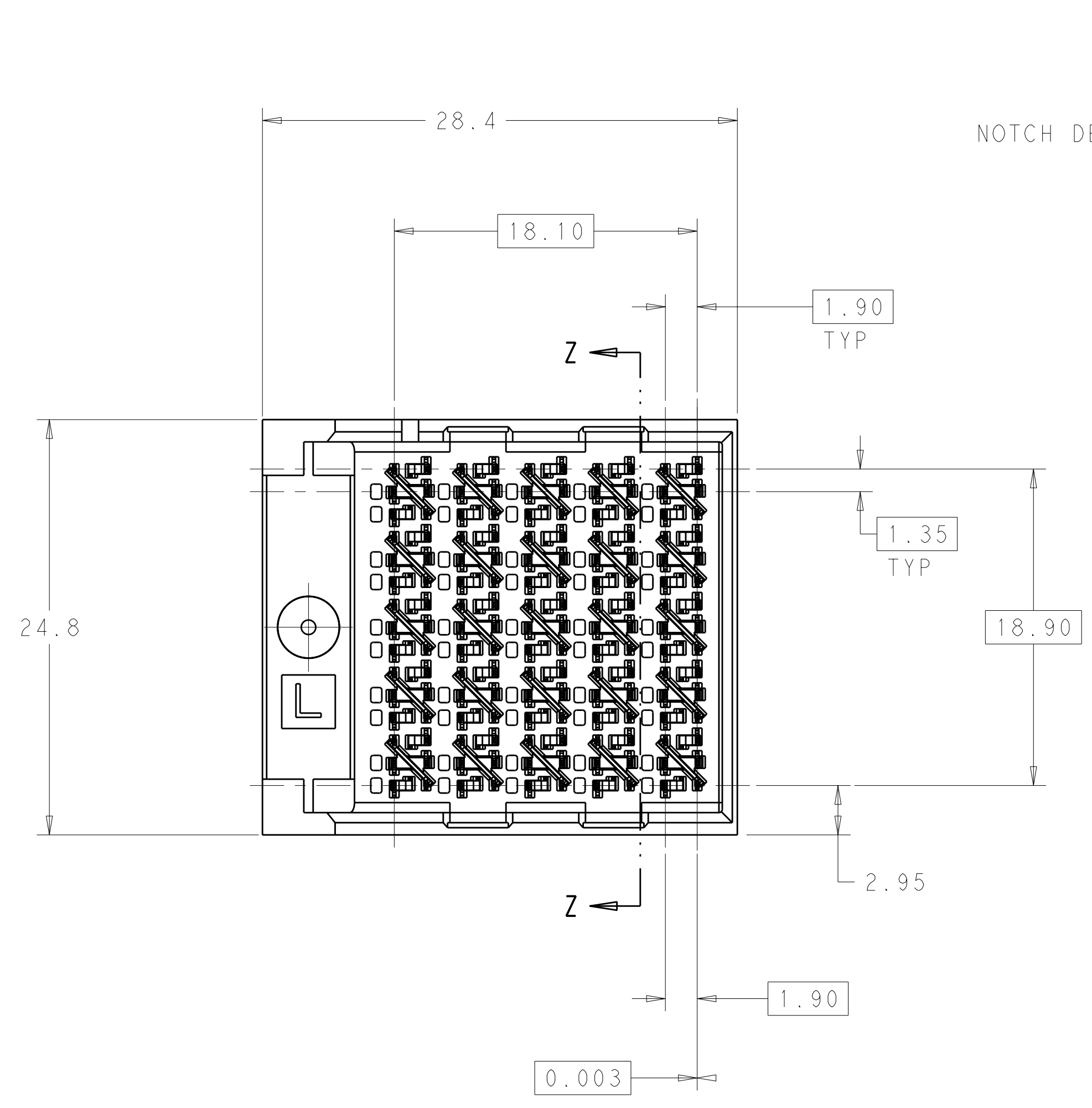


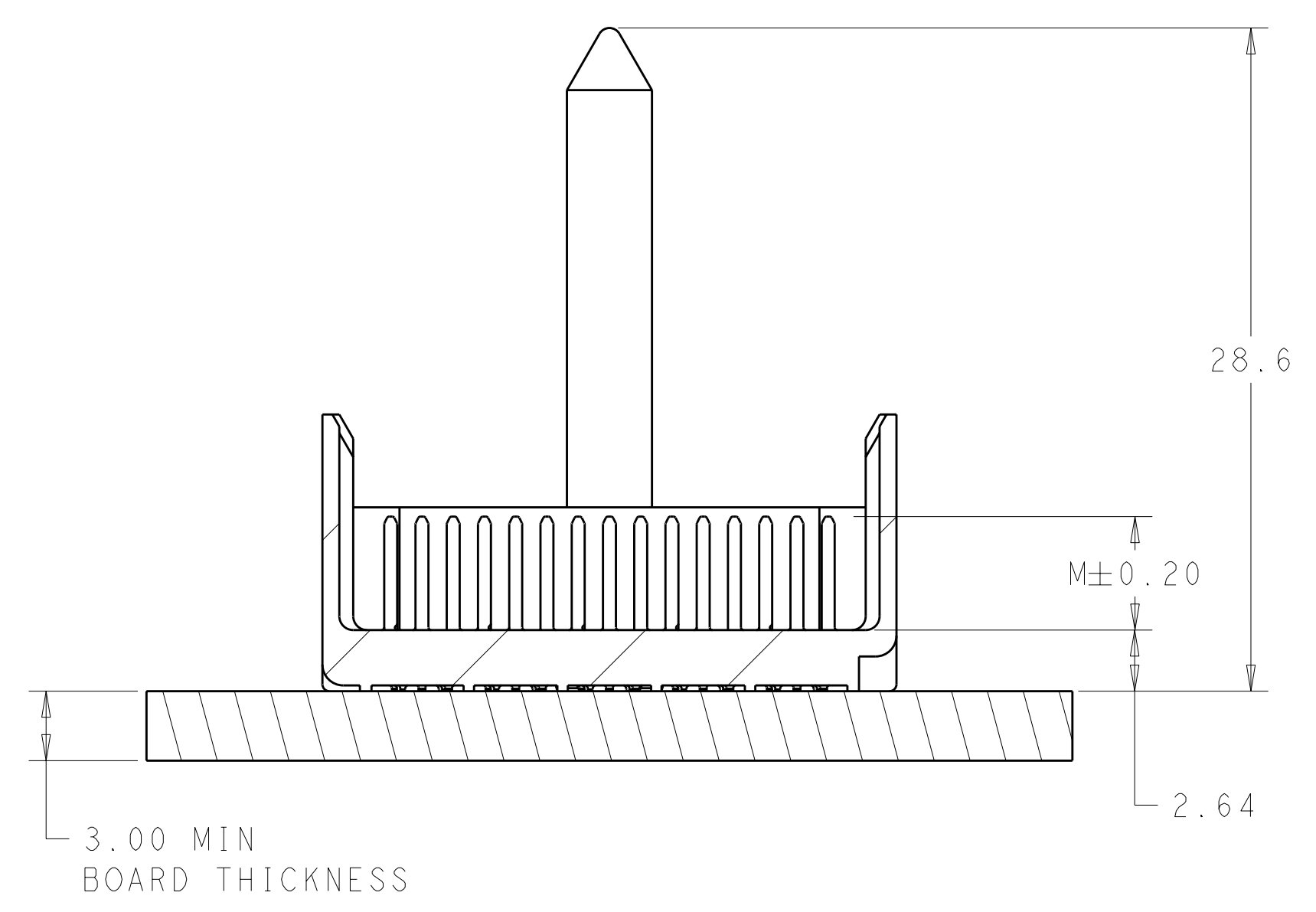
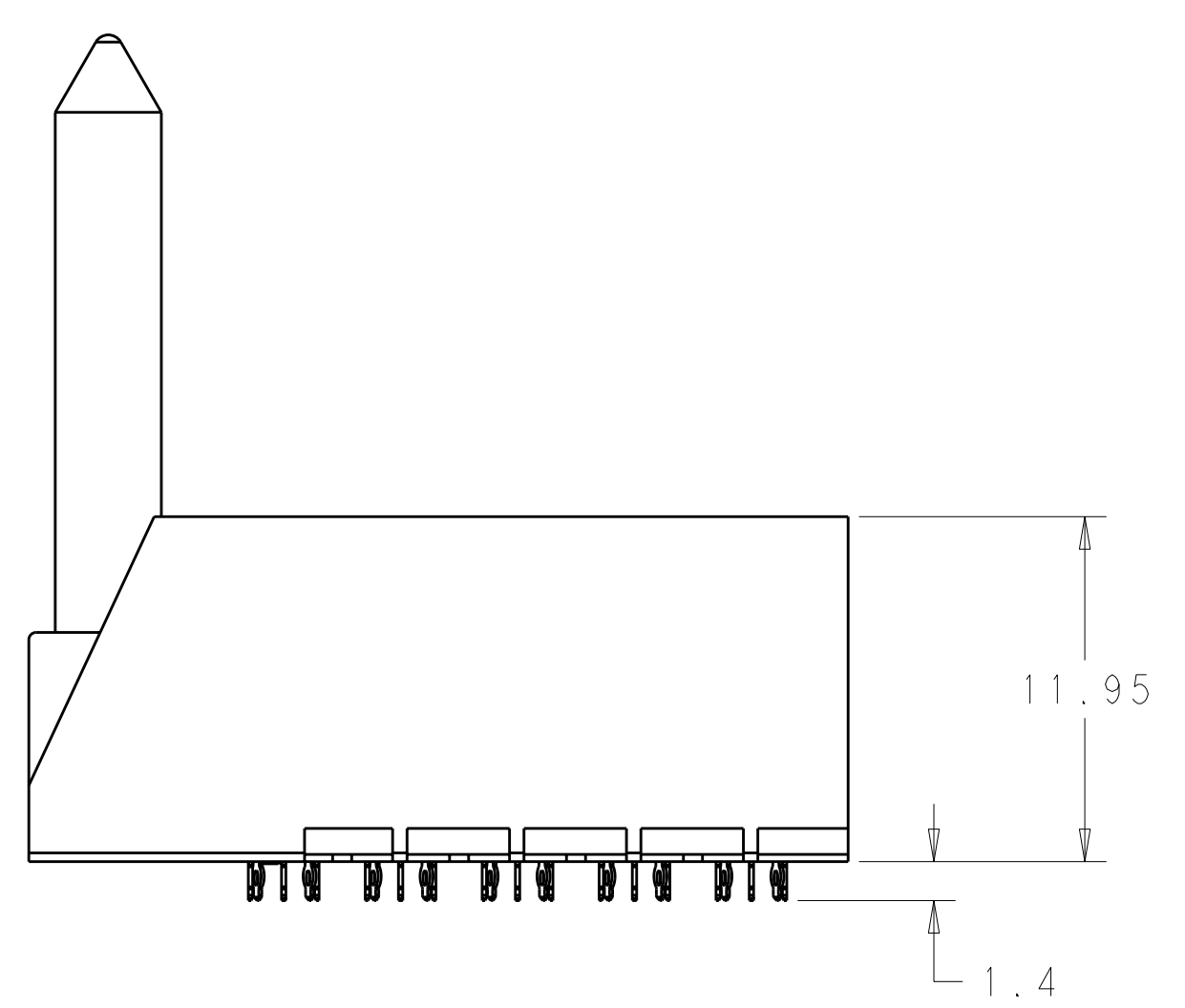
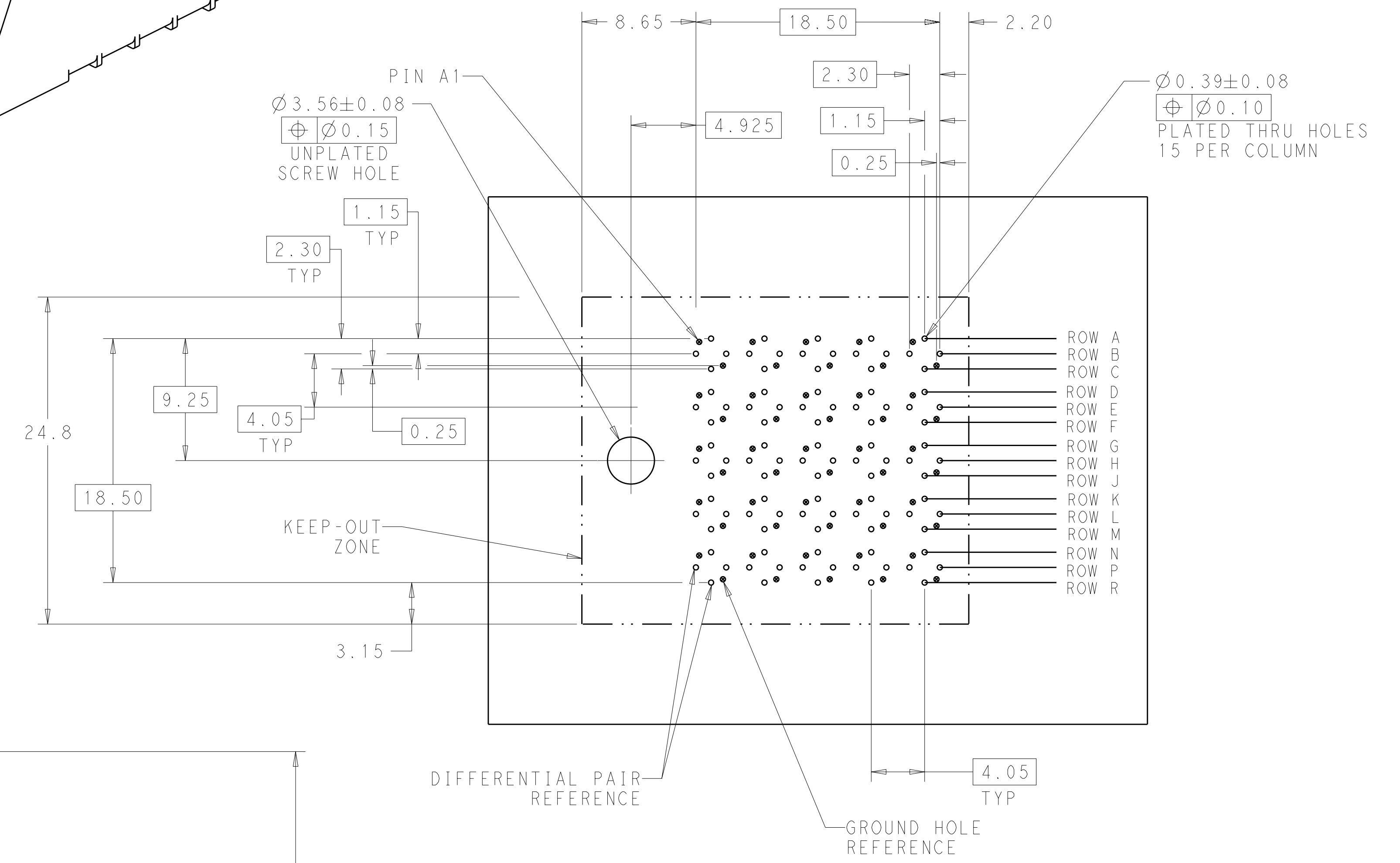
LOC	DIST	REV	DATE	BY	APPD
AD	00	1	29OCT2010	JKS	JE



△ MATERIAL:
 HOUSING: LCP GLASS FILLED UL94V-0
 TERMINALS: HIGH PERFORMANCE COPPER ALLOY

△ FINISH:
 30μ" MIN GOLD IN CONTACT AREA
 SELECTIVE TIN ON PCB TAILS.
 NICKEL OVERALL.

△ FINISH:
 30μ" MIN GOLD IN CONTACT AREA
 SELECTIVE TIN-LEAD ON PCB TAILS.
 NICKEL OVERALL.



LEFT GUIDED
 BACKPLANE HOLE PATTERN
 (CONNECTOR SIDE)
 SCALE 4:1

THIS PRINT IS
PRELIMINARY
 UNQUALIFIED PRODUCT
 CONTACT PRODUCT ENGINEERING
 BEFORE USING THIS PRINT

FINISH	DIM M	PART NUMBER
3	5.5	2143558-4
3	4.9	2143558-3
2	5.5	2143558-2
2	4.9	2143558-1

DIMENSIONS: mm 9 PLC ± 1 PLC ±0.25 5 PLC ±0.13 4 PLC ± ANGLES ± FINISH SEE TABLE		TOLERANCES UNLESS OTHERWISE SPECIFIED: 9 PLC ± 1 PLC ±0.25 5 PLC ±0.13 4 PLC ± ANGLES ± FINISH SEE TABLE		DWN J. K. SHOBER 29OCT2010 CBY J. EARY 29OCT2010 APVD J. EARY 29OCT2010 PRODUCT SPEC APPLICATION SPEC WEIGHT CUSTOMER DRAWING		Tyco Electronics Corporation Harrisburg, PA 17105-3608 IMPACT 5 PAIR, 10 COLUMN, LEFT GUIDED RIGHT END WALL ASSEMBLY, ORTHOGONAL, 0.39 PTH SIZE CAGE CODE DRAWING NO RESTRICTED TO A100779C=2143558 SCALE 4:1 SHEET 1 OF 1 REV 1	
-------------------------------------------------------------------------------------------------------	--	----------------------------------------------------------------------------------------------------------------------------	--	-------------------------------------------------------------------------------------------------------------------------------------------------	--	-------------------------------------------------------------------------------------------------------------------------------------------------------------------------------------------------------------------------------------------------------	--