

2138557-2 ✓ ACTIVE

Generation Y Connector System

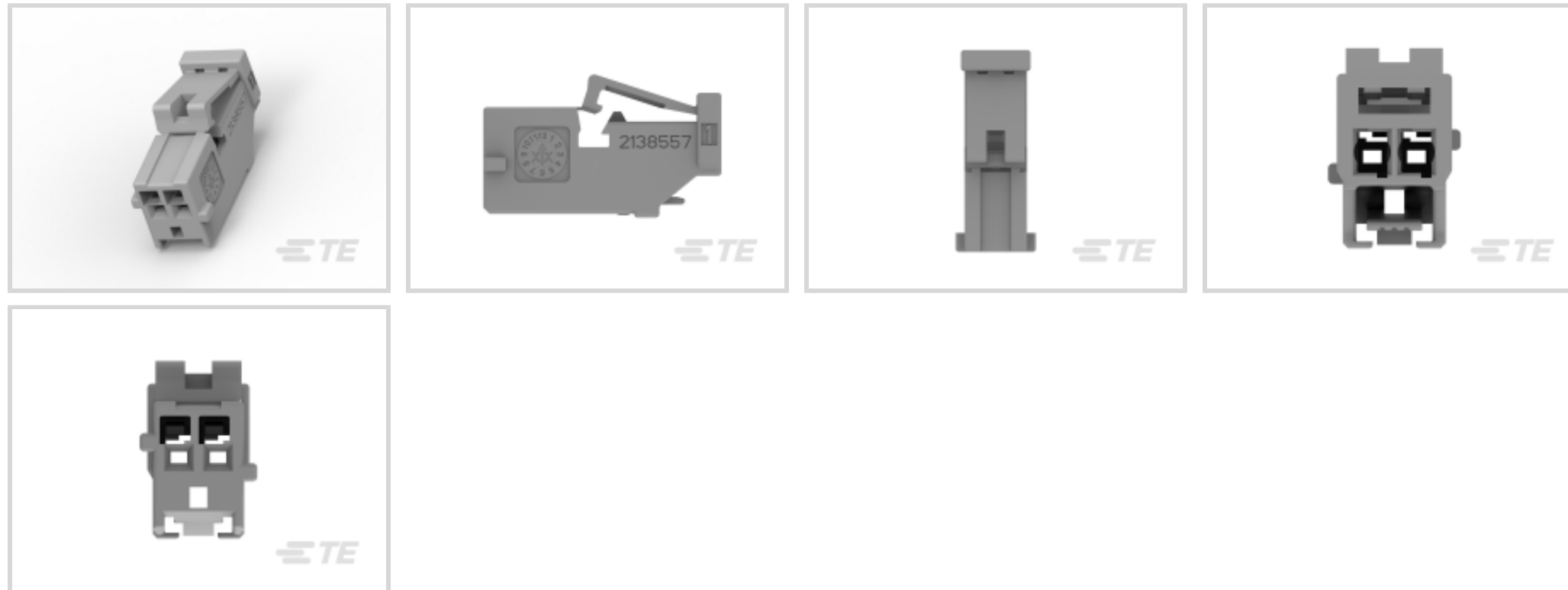
TE Internal #: 2138557-2

Housing for Female Terminals, Wire-to-Device / Wire-to-Board / Wire-to-Wire, 2 Position, .1 in [2.54 mm] Centerline, Generation Y Connector System

[View on TE.com >](#)



Connectors > Automotive Connectors > Automotive Housings



Connector & Housing Type: **Housing for Female Terminals**

Mating Tab Width: **.64 mm [.025 in]**

Connector System: **Wire-to-Board, Wire-to-Device, Wire-to-Wire**

Number of Positions: **2**

Centerline (Pitch): **2.54 mm [.1 in]**

Features

Product Type Features

| | |
|--------------------------|---|
| Connector Shape | Rectangular |
| Connector & Housing Type | Housing for Female Terminals |
| Connector System | Wire-to-Board, Wire-to-Device, Wire-to-Wire |
| Sealable | No |
| Hybrid Connector | No |
| Primary Locking Feature | Integrated in Housing |

Configuration Features

| | |
|---------------------|---|
| Number of Positions | 2 |
| Number of Rows | 1 |

Body Features

| | |
|-------------------------|------|
| Cable Exit Angle | 180° |
| Primary Product Color | Gray |
| Connector & Keying Code | B |



Contact Features

| | |
|------------------|-----------------|
| Contact Size | .64mm |
| Contact Type | Receptacle |
| Mating Tab Width | .64 mm[.025 in] |

Mechanical Attachment

| | |
|-----------------------------|----------------------------|
| Terminal Position Assurance | Yes |
| Strain Relief | Without |
| Mating Alignment Type | Keyed |
| Mating Alignment | With |
| Connector Mounting Type | Cable Mount (Free-Hanging) |

Housing Features

| | |
|--------------------|----------------|
| Housing Material | PBT GF |
| Centerline (Pitch) | 2.54 mm[.1 in] |

Dimensions

| | |
|------------------|-------------------|
| Connector Height | 10.05 mm[.396 in] |
| Product Width | 7.64 mm[.301 in] |
| Product Length | 19.2 mm[.756 in] |

Usage Conditions

| | |
|-----------------------------|---|
| Operating Temperature (Max) | 70 °C, 75 °C, 80 °C, 85 °C, 90 °C, 100 °C [158 °F][167 °F][176 °F][185 °F][194 °F][212 °F] |
| Operating Temperature Range | -40 – 100 °C[-40 – 212 °F] |

Operation/Application

| | |
|---------------------|--------|
| Circuit Application | Signal |
|---------------------|--------|

Other

| | |
|--------------------------------------|-----|
| Serviceable | Yes |
| Connector Position Assurance Capable | No |

Product Compliance

[For compliance documentation, visit the product page on TE.com>](#)

| | |
|---|---|
| EU RoHS Directive 2011/65/EU | Compliant |
| EU ELV Directive 2000/53/EC | Compliant |
| China RoHS 2 Directive MIIT Order No 32, 2016 | No Restricted Materials Above Threshold |



EU REACH Regulation (EC) No. 1907/2006

Current ECHA Candidate List: JAN 2023 (233)

Candidate List Declared Against: JAN 2023 (233)

Does not contain REACH SVHC

Halogen Content

Low Halogen - Br, Cl, F, I < 900 ppm per homogenous material. Also BFR/CFR/PVC Free

Solder Process Capability

Not applicable for solder process capability

Product Compliance Disclaimer

This information is provided based on reasonable inquiry of our suppliers and represents our current actual knowledge based on the information they provided. This information is subject to change. The part numbers that TE has identified as EU RoHS compliant have a maximum concentration of 0.1% by weight in homogenous materials for lead, hexavalent chromium, mercury, PBB, PBDE, DBP, BBP, DEHP, DIBP, and 0.01% for cadmium, or qualify for an exemption to these limits as defined in the Annexes of Directive 2011/65/EU (RoHS2). Finished electrical and electronic equipment products will be CE marked as required by Directive 2011/65/EU. Components may not be CE marked. Additionally, the part numbers that TE has identified as EU ELV compliant have a maximum concentration of 0.1% by weight in homogenous materials for lead, hexavalent chromium, and mercury, and 0.01% for cadmium, or qualify for an exemption to these limits as defined in the Annexes of Directive 2000/53/EC (ELV). Regarding the REACH Regulation, the information TE provides on SVHC in articles for this part number is based on the latest European Chemicals Agency (ECHA) 'Guidance on requirements for substances in articles' posted at this URL: <https://echa.europa.eu/guidance-documents/guidance-on-reach>

Compatible Parts




TE Part # 2138558-2
2P GENERATION Y Cap, Single-Pi




TE Part # CAT-N57-GYTH68
Generation Y Terminals, 68POS Hybrid

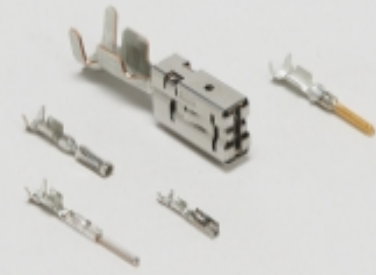
Also in the Series | Generation Y Connector System




Automotive Connector Caps & Covers (17)



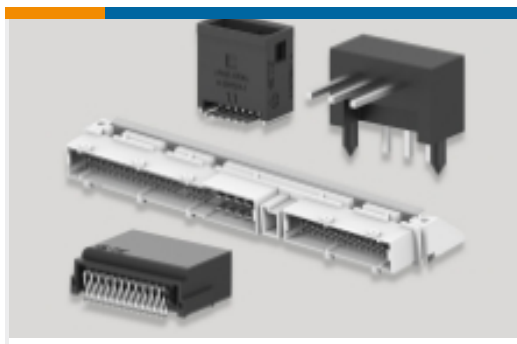
Automotive Housings(154)



Automotive Terminals(39)

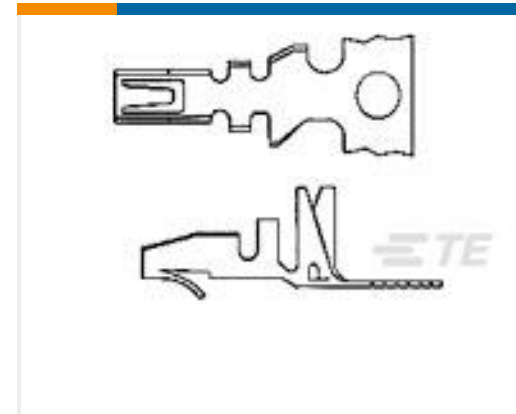
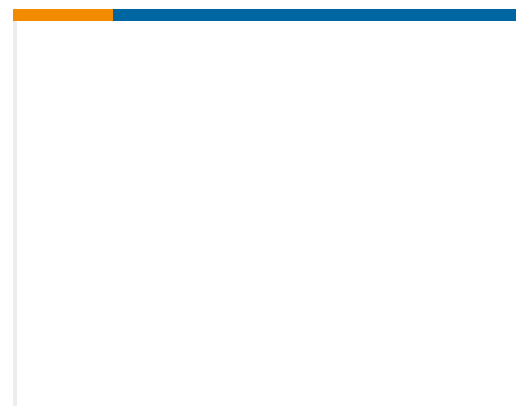
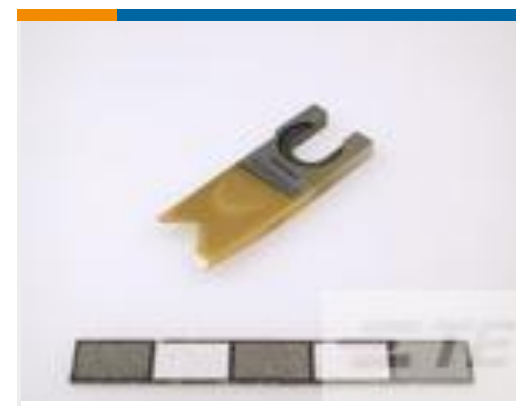
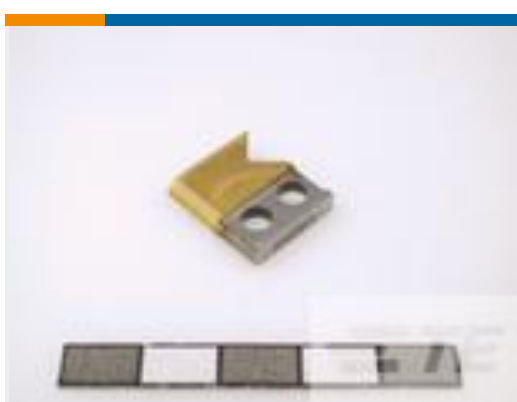


Insertion & Extraction Tools(1)



PCB Headers & Receptacles(15)

Customers Also Bought

TE Part #2138557-1
2P GENERATION Y Plug, Single-PTE Part #936289-5
6POS MQS REC COD ETE Part #2098762-1
Contact,female0.64, 20-22AWG,TE Part #444082-2
MINI AMP IN SHORT VTE Part #8-1608065-4
187-32T200=R3412TE Part #1-511109-5
V-STRIPPING BLADES R0.1TE Part #1-874545-5
FORM STRIPPING BLADES 1.40TE Part #1-874547-3
UPPER CUTTING BLADE R0.5TE Part #1-874547-8
LOWER CUTTING BLADE R0.5TE Part #2-874545-5
FORM BLADE D 2.40

Documents

CAD Files

Customer View Model

[ENG_CVM_CVM_2138557-2_A.2d_dxf.zip](#)

English

3D PDF

3D

Customer View Model

[ENG_CVM_CVM_2138557-2_A.3d_igs.zip](#)



English

Customer View Model

[ENG_CVM_CVM_2138557-2_A.3d_stp.zip](#)

English

By downloading the CAD file I accept and agree to the [Terms and Conditions](#) of use.

Instruction Sheets

[Instruction Sheet \(U.S.\)](#)

English