



M8/M12 CONNECTOR SYSTEM

TE CONNECTIVITY'S M8 / M12

Connector System for machine industrial automation and control applications provides a solution for the increasing needs of sensor connections that safely and reliably ensures the communication in industrial environments. This connector system also finds applications outside of its traditional industries where a compact reliable connection system with environmental protection is required. TE's solution includes an extensive connector range of PCB headers, cable assemblies and I/O boxes, and provides users with an interface that supports higher bandwidth needs - meeting the requirements of up to 10Gb/s.

TE Connectivity also offers shielded and un-shielded Cat5e and Cat6A cable assembly variants. A predefined offering in length of 1, 3, 5 and 10 meters covers a vast range of customer needs on the market. For rewiring on site a range of field serviceable connectors are provided, allowing versatile systems to be quickly and easily established. Additional styles are available on request including alternative mounting arrangements for panel mount connectors and double ended cable assemblies.



TE'S INDUSTRIAL COMMUNICATIONS PRODUCTS PLAY A VITAL ROLE IN FACTORY AUTOMATION.

TE's industrial Communications products are widespread throughout today's networked factories, and play a critical role in driving the efficiency of many manufacturing processes. Used extensively in material handling

equipment, our industrial communications solutions are also found throughout the automotive and food and beverage industries, as well as in the many manufacturing applications of industrial robots.

With the development of smaller industrial Ethernet products, TE's solutions are also ideal for vision systems, common in security equipment and mail sortation devices.

TE M8/M12 CONNECTOR SYSTEM - APPLICATIONS

MACHINERY



FACTORY AUTOMATION



TE's M8/M12 Connector System includes a broad range of straight, angled, LED and multi-position field installable and board connectors that are easily intermateable. Next to cable assemblies for Serial and Bus communication, TE also offers Industrial Ethernet patch cables with overmolded X-coded M12 connectors that are available for future proof applications with up to 10 Gb/s data transmission. Customized cable assemblies offer a solution for your specific needs in different lengths, temperatures or flexibility. When communication simply needs to work in industrial environments, TE's M8/M12 system and complete Industrial Communications portfolio offer proven reliability that meet industry standards. Whether it is for controllers and sensors or robotics and molding machines, the M8/M12 connector system offers you a solution that is time-saving, error-free and without the use of tools.

CONTENTS

| | |
|---|----|
| M8/M12 CONNECTORS | 6 |
| TE Part Number Definition | 7 |
| M8 Straight Field Installable | 10 |
| M8 Angled Field Installable | 11 |
| M8 Panel Mount R/A PCB | 12 |
| M8 Panel Mount Straight PCB | 13 |
| M8 Panel Mount Solder Wire | 14 |
| M8 Panel Mount 200mm Wire | 15 |
| M12 Straight Field Installable A, B, D Coded..... | 16 |
| M12 Panel Mount R/A PCB | 20 |
| M12 Panel Mount Straight PCB - Rear Mounting..... | 22 |
| M12 Panel Mount Straight PCB - Front Mounting..... | 23 |
| M12 Panel Mount Solder Wire - Rear Mounting | 24 |
| M12 Panel Mount Solder Wire - Front Mounting..... | 25 |
| M12 Panel Mount 200mm Wire - Front Mounting | 26 |
| M12 Panel Mount 200mm Wire - Rear Mounting | 27 |
| M12 Power Solutions | 28 |
| M12 S, T coded | 28 |
| M12 X-Coded..... | 29 |
| Accessories | 30 |
| Sensor/Actuator M8/M12 A-Code Cable Assemblies | 33 |
| M8 3-4Pos Single Ended Cable Assemblies..... | 36 |
| M12 A-Code 2-8Pos Single Ended Cable Assemblies..... | 38 |
| M8 3-4Pos Double Ended Cable Assemblies..... | 40 |
| M12 A-Code 2-8Pos Double Ended Cable Assemblies..... | 41 |
| M8 To M12 A-Code 3-4Pos Double Ended Cable Assemblies | 43 |
| M8 Cable Specifications..... | 45 |
| M12 Cable Specifications..... | 46 |



| | |
|--|-----------|
| M12 Fieldbus Cable Assembly Connectivity (Profibus, DeviceNet / CanOpen, CC Link) | 47 |
| M12 CC-Link A-Code 4Pos Cable Assemblies Single Ended PVC. | 49 |
| M12 CC-Link A-Code 4Pos Cable Assemblies Double Ended PVC. | 49 |
| M12 Devicenet A-Code 5Pos Cable Assemblies Single Ended PUR. | 49 |
| M12 Devicenet A-Code 5Pos Cable Assemblies Double Ended PUR. | 50 |
| M12 Devicenet A-Code 5Pos Cable Assemblies Single Ended PVC. | 50 |
| M12 Devicenet A-Code 5Pos Cable Assemblies Double Ended PVC | 50 |
| M12 Profibus B-Code 2Pos Cable Assemblies Single Ended PUR Torsion | 51 |
| M12 Profibus B-Code 2Pos Cable Assemblies Double Ended PUR Torsion. | 51 |
| M12 Profibus B-Code 2Pos Cable Assemblies Single Ended PUR Flex/Drag Chain. | 51 |
| M12 Profibus B-Code 2Pos Cable Assemblies Double Ended PUR Flex/Drag Chain. | 52 |
| | |
| M12 Industrial Ethernet Cable Assembly Connectivity (Profinet, EtherCAT, Ethernet/IP, SERCOS-III). | 53 |
| M12 Ethernet D-Code 4Pos Cable Assemblies Single Ended Type C PUR. | 55 |
| M12 Ethernet D-Code 4Pos Cable Assemblies Double Ended Type C PUR. | 55 |
| M12 Ethernet D-Code 4Pos Cable Assemblies Single Ended Type B FRNC | 55 |
| M12 Ethernet D-Code 4Pos Cable Assemblies Double Ended Type B FRNC. | 56 |
| M12 Ethernet D-Code 4Pos Cable Assemblies Single Ended Type B PVC. | 56 |
| M12 Ethernet D-Code 4Pos Cable Assemblies Double Ended Type B PVC. | 56 |
| M12 Ethernet D-Code 4Pos Cable Assemblies Single Ended Type B PVC Red. | 57 |
| M12 Ethernet D-Code 4Pos Cable Assemblies Double Ended Type B PVC Red. | 57 |

M8/M12 CONNECTORS

TE's M8/M12 connectors continues to fill the ongoing needs for sensor connection in Industrial Machinery and Factory Automation. A connection standard for many years, these products also find applications outside of their traditional industries where a compact reliable connection system with environmental protection is required. TE's M8/M12 connector portfolio includes A, B, D, S, T, and X-coded (up to 10 Gb/s) versions to serve various customer needs. The connectors are also available in shielded and unshielded versions, to support Gigabit Ethernet applications.

M8/M12 - THE CODINGS

A-coding: Actuator-sensor plug connections for DeviceNet, IO link and Profibus



B-coding: Fieldbus connections for Profibus and Interbus



D-coding: Industrial Ethernet, Profinet, Ethernet/IP and EtherCat



S-coding: Motor, Frequency-convertors, motor operated switches, PSUs for Power, 620 V, 12 A



T-coding: Fieldbus comp, passive distribution boxes, motors, PSUs for Power, 63 V, 12 A



X-coding: Cat6A, high-speed 10Gbit rugged industrial Ethernet applications IEC 61076-2-109



Ambient temperature for M8:
-40 °C to 85 °C

Ambient temperature for M12:
-40 °C to 85 °C

Current rating:

4 and 5 pins: 4 A per pin

8 and 12 pins: 2 A per pin

IP rating: IP67/IP68

As specifications vary for different parts, please refer to your TE contact for detailed information.

Application Specifications for M8 M12 Connectors and Cable Assemblies:

114-32127, 114-137008, 114-137144

Product Specifications:

Connectors: 108-3641, 108-19483,

108-106140

X-coded: 108-137008

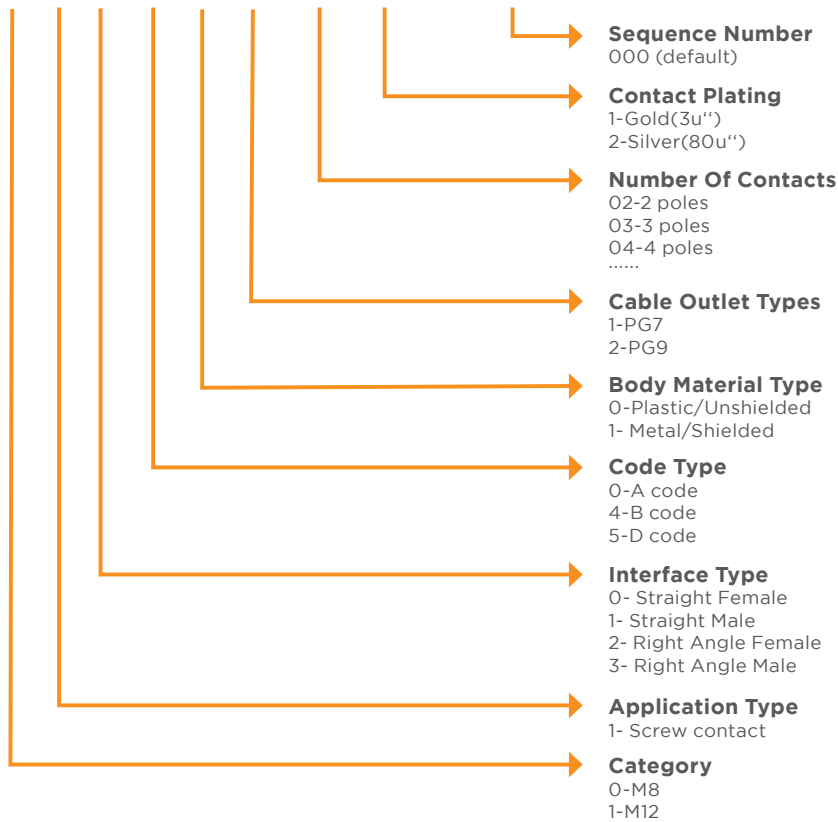


| Size | Pins | Rated | Maximum Current per pin | Polution grade |
|------|------|-------|-------------------------|----------------|
| M8 | 3 | 60V | 4A | 3 |
| M8 | 4 | 30V | 4A | 3 |
| M12 | 3 | 250V | 4A | 3 |
| M12 | 4 | 250V | 4A | 3 |
| M12 | 5 | 125V | 4A | 3 |
| M12 | 8 | 60V | 2A | 3 |
| M12 | 12 | 30V | 2A | 3 |

TE Part Number Definition

M8M12 Field Installable Connector PNs: T401/T411

T 4 X 1 X X X X XX X - XXX



Sequence Number
000 (default)

Contact Plating
1-Gold(3u")
2-Silver(80u")

Number Of Contacts
02-2 poles
03-3 poles
04-4 poles
.....

Cable Outlet Types
1-PG7
2-PG9

Body Material Type
0-Plastic/Unshielded
1- Metal/Shielded

Code Type
0-A code
4-B code
5-D code

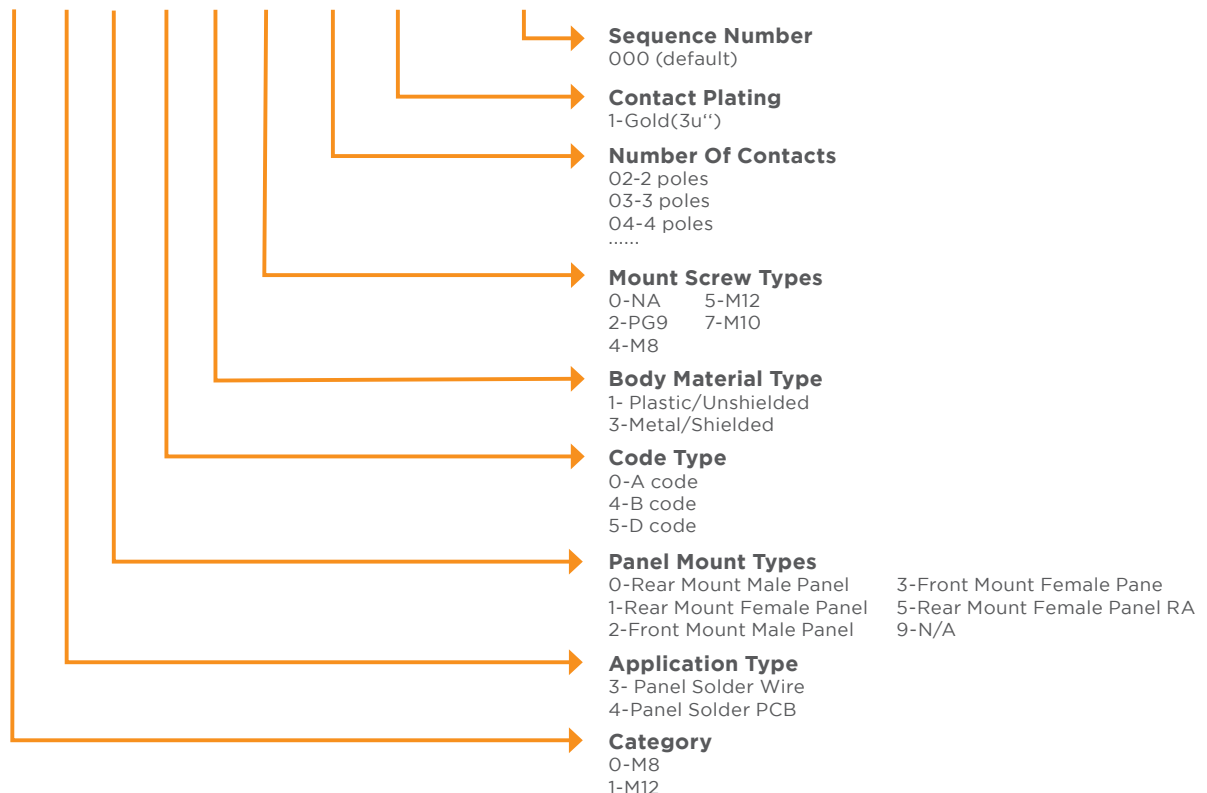
Interface Type
0- Straight Female
1- Straight Male
2- Right Angle Female
3- Right Angle Male

Application Type
1- Screw contact

Category
0-M8
1-M12

M8M12 Panel Mount Connector PNs: T403/T404/T413/T414/T407

T 4 X X X X X X XX X - XXX



Sequence Number
000 (default)

Contact Plating
1-Gold(3u")

Number Of Contacts
02-2 poles
03-3 poles
04-4 poles
.....

Mount Screw Types
0-NA 5-M12
2-PG9 7-M10
4-M8

Body Material Type
1- Plastic/Unshielded
3-Metal/Shielded

Code Type
0-A code
4-B code
5-D code

Panel Mount Types
0-Rear Mount Male Panel
1-Rear Mount Female Panel
2-Front Mount Male Panel
3-Front Mount Female Panel
5-Rear Mount Female Panel RA
9-N/A

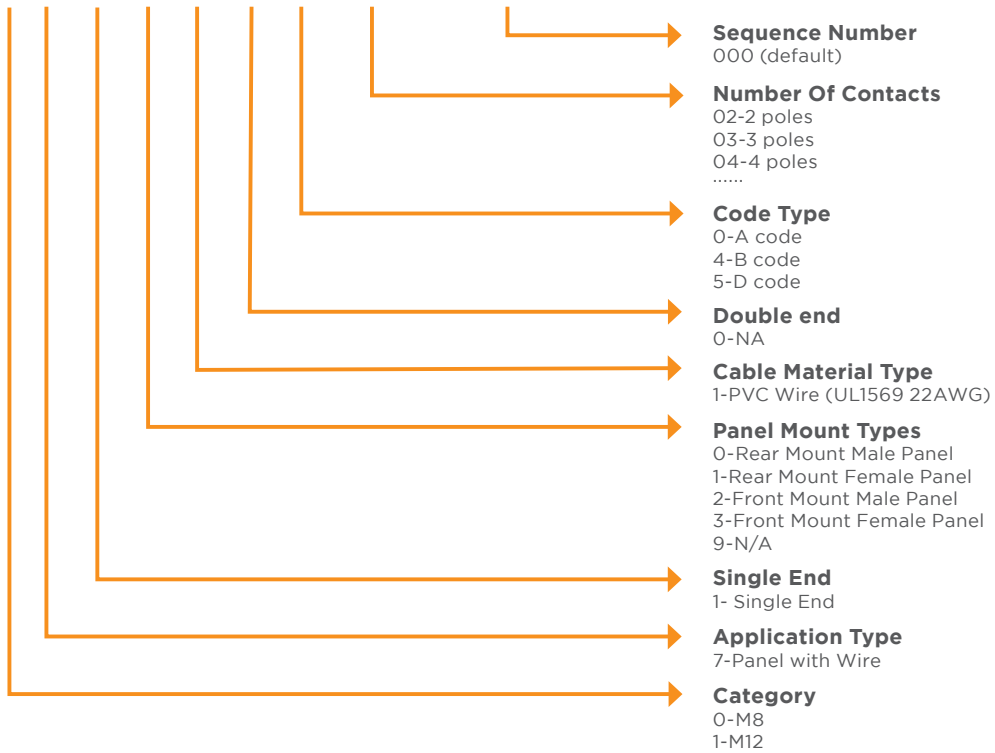
Application Type
3- Panel Solder Wire
4-Panel Solder PCB

Category
0-M8
1-M12

TE Part Number Definition

M8M12 Panel Mount Connector with Wire PNs: T407/T417

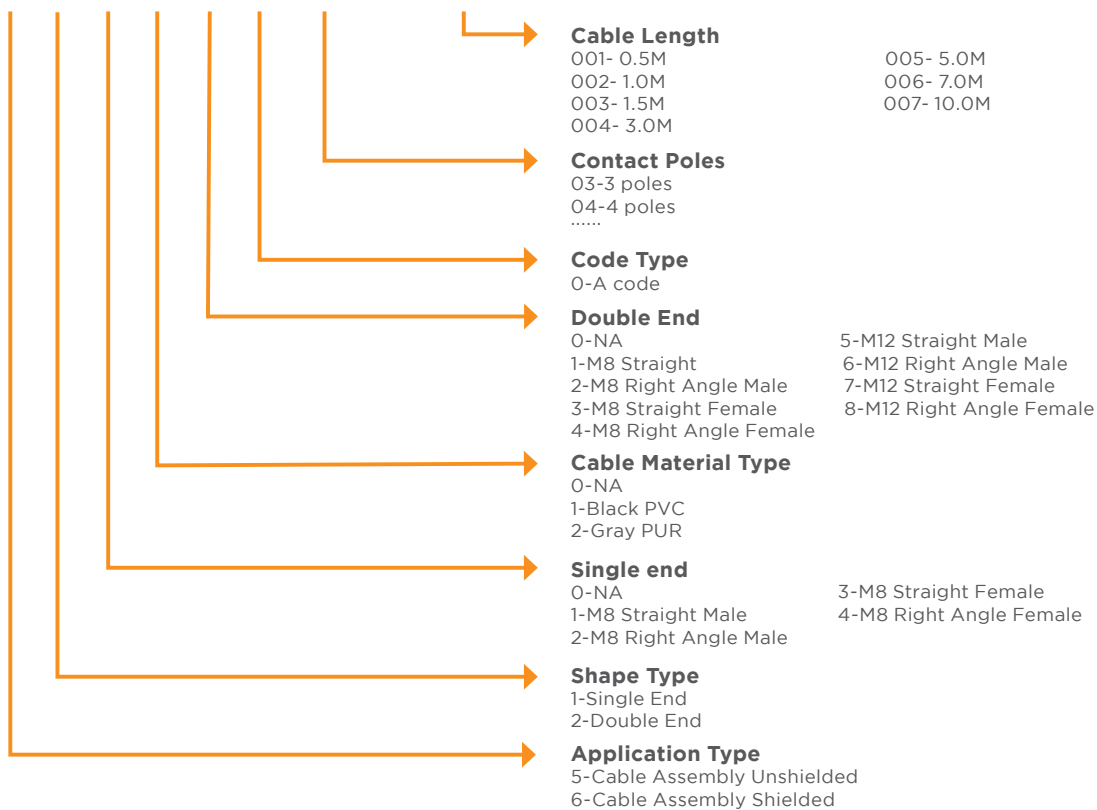
T 4 X 7 X X X X X XX – XXX



TE Part Number Definition

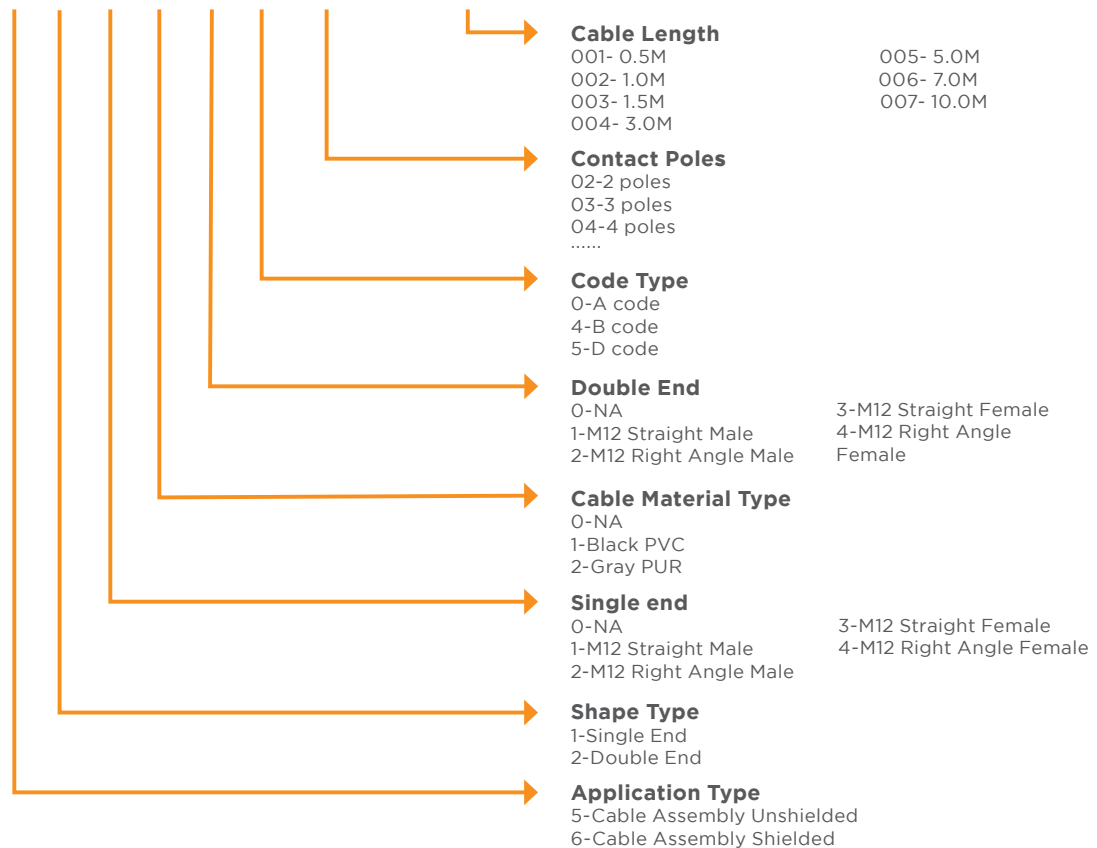
M8 Cable Assembly PNs: T405/T406

T 4 0 X X X X X X XX — OOX



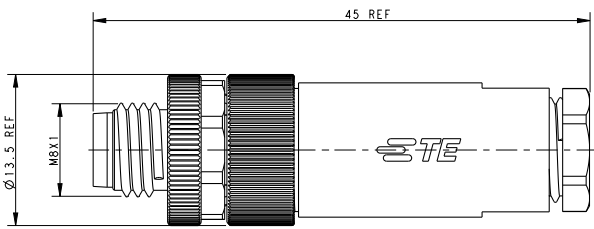
M12 Cable Assembly PNs: T415/T416

T 4 1 X X X X X X XX — OOX

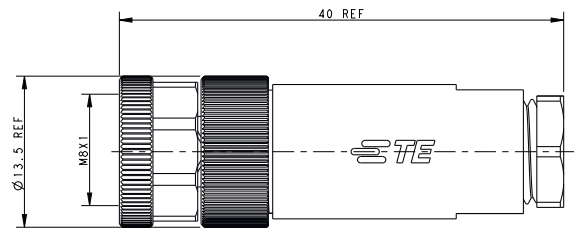


M8 Straight Field Installable

Male Series



Female Series



All dimensions in mm. Temperature range: -40 to +85 degree. Products can also be obtained with silver-plated contacts upon request.

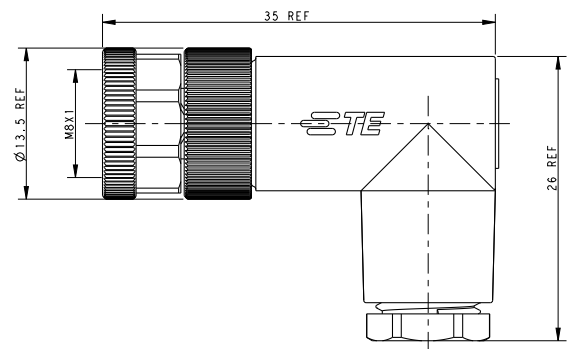
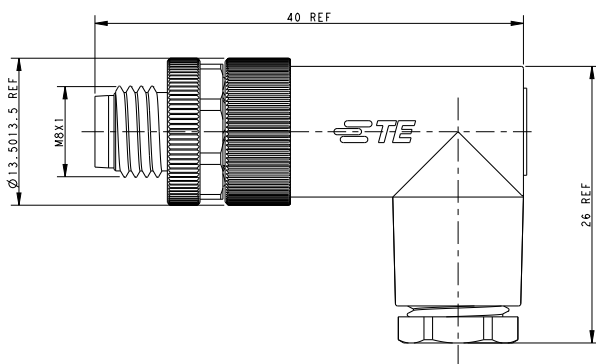
| TE Part Number | | |
|---|--|-----------------|
| M8 Male Screw Connection, Straight, Unshielded | | |
| 3-Pole | | T4011008031-000 |
| 4-Pole | | T4011008041-000 |
| M8 Male Screw Connection, Straight, Shielded | | |
| 3-Pole | | T4011019031-000 |
| 4-Pole | | T4011019041-000 |

| TE Part Number | | |
|---|--|-----------------|
| M8 Female Screw Connection, Straight, Unshielded | | |
| 3-Pole | | T4010008031-000 |
| 4-Pole | | T4010008041-000 |
| M8 Female Screw Connection, Straight, Shielded | | |
| 3-Pole | | T4010019031-000 |
| 4-Pole | | T4010019041-000 |

M8 Angled Field Installable

Male Series

Female Series



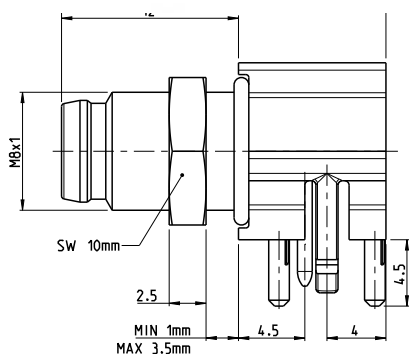
All dimensions in mm. Temperature range: -40 to +85 degree. Products can also be obtained with silver-plated contacts upon request.

| TE Part Number | | |
|---|--|-----------------|
| M8 Male Right Angled, Unshielded | | |
| 3-Pole | | T4013008031-000 |
| 4-Pole | | T4013008041-000 |
| M8 Male Right Angled, Shielded | | |
| 3-Pole | | T4013019031-000 |
| 4-Pole | | T4013019041-000 |

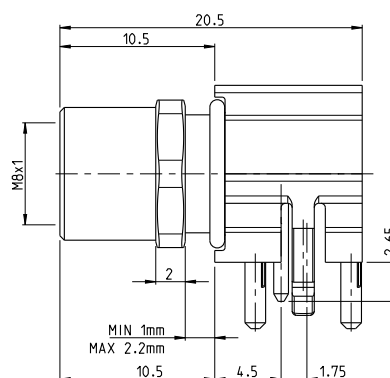
| TE Part Number | | |
|---|--|-----------------|
| M8 Female Right Angled, Unshielded | | |
| 3-Pole | | T4012008031-000 |
| 4-Pole | | T4012008041-000 |
| M8 Female Right Angled, Shielded | | |
| 3-Pole | | T4010019031-000 |
| 4-Pole | | T4010019041-000 |

M8 Panel Mount R/A PCB

Male Series



Female Series



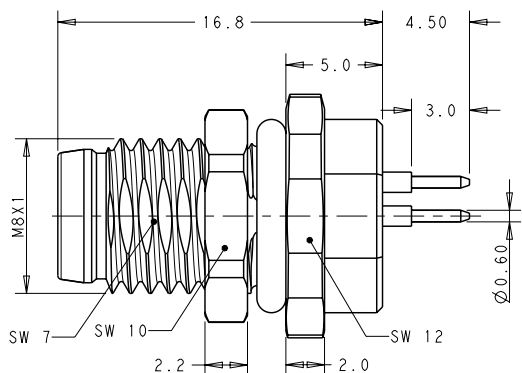
All dimensions in mm. Temperature range: -40 to +85 degree.

| TE Part Number | | |
|---|--|-------------|
| M8, Male, Rear Mount, PCB, R/A, Unshielded | | |
| 3-Pole | | 2-2172067-2 |
| 4-Pole | | 3-2172067-2 |
| M8, Male, Rear Mount, PCB, R/A, Shielded | | |
| 3-Pole | | 2-2172093-2 |
| 4-Pole | | 3-2172093-2 |

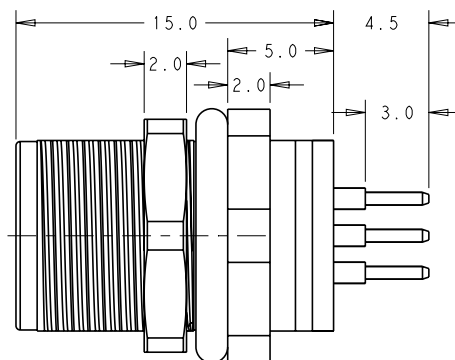
| TE Part Number | | |
|---|--|-------------|
| M8, Female, Rear Mount, PCB, R/A, Unshielded | | |
| 3-Pole | | 2-2172068-2 |
| 4-Pole | | 3-2172068-2 |
| M8, Female, Rear Mount, PCB, R/A, Shielded | | |
| 3-Pole | | 2-2172091-2 |
| 4-Pole | | 3-2172091-2 |

M8 Panel Mount Straight PCB

Male Series



Female Series



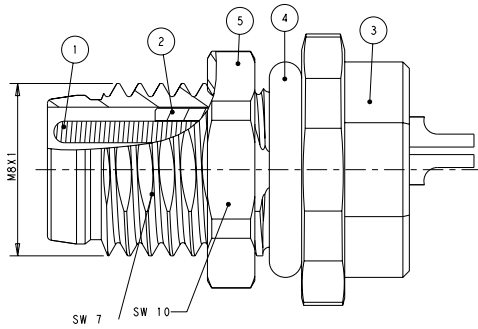
All dimensions in mm. Temperature range: -40 to +85 degree. Products can also be obtained with silver-plated contacts upon request.

| TE Part Number | | |
|---|--|-----------------|
| M8, Male, Rear Mount, PCB, Straight, Unshielded | | |
| 3-Pole | | T4040014031-000 |
| 4-Pole | | T4040014041-000 |
| M8, Male, Front Mount, PCB, Straight, Unshielded | | |
| 3-Pole | | T4042014031-000 |
| 4-Pole | | T4042014041-000 |
| M8, Male, Rear Mount, PCB, Straight, Shielded | | |
| 3-Pole | | T4040034031-000 |
| 4-Pole | | T4040034041-000 |

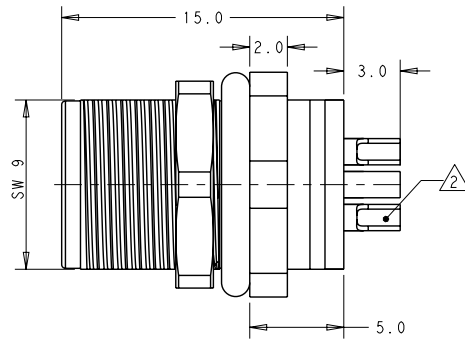
| TE Part Number | | |
|---|--|-----------------|
| M8, Female, Rear Mount, PCB, Straight, Unshielded | | |
| 3-Pole | | T4041017031-000 |
| 4-Pole | | T4041017041-000 |
| M8, Female, Front Mount, PCB, Straight, Unshielded | | |
| 3-Pole | | T4043014031-000 |
| 4-Pole | | T4043014041-000 |
| M8, Female, Rear Mount, PCB, Straight, Shielded | | |
| 3-Pole | | T4041037031-000 |
| 4-Pole | | T4041037041-000 |

M8 Panel Mount Solder Wire

Male Series



Female Series



All dimensions in mm. Temperature range: -40 to +85 degree.

| TE Part Number | | |
|--|--|-----------------|
| M8, Male, Rear Mount, Solder Wire, Straight | | |
| 3-Pole | | T4030014031-000 |
| 4-Pole | | T4030014041-000 |

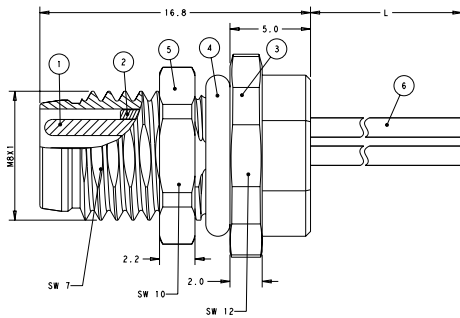
| TE Part Number | | |
|---|--|-----------------|
| M8, Male, Front Mount, Solder Wire, Straight | | |
| 3-Pole | | T4032014031-000 |
| 4-Pole | | T4032014041-000 |

| TE Part Number | | |
|--|--|-----------------|
| M8, Female, Rear Mount, Solder Wire, Straight | | |
| 3-Pole | | T4031017031-000 |
| 4-Pole | | T4031017041-000 |

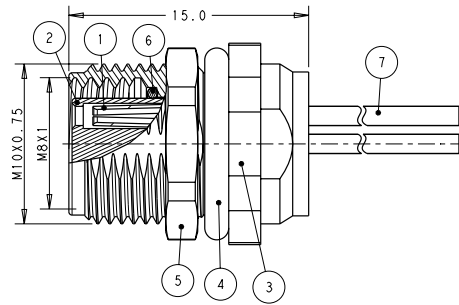
| TE Part Number | | |
|---|--|-----------------|
| M8, Female, Front Mount, Solder Wire, Straight | | |
| 3-Pole | | T4033014031-000 |
| 4-Pole | | T4033014041-000 |

M8 Panel Mount 200mm Wire

Male Series



Female Series



All dimensions in mm. Temperature range: -40 to +85 degree.

| TE Part Number | | |
|---|--|-----------------|
| M8, Male, Rear Mount, 200mm Wire, Straight | | |
| 3-Pole | | T4070014031-001 |
| 4-Pole | | T4070014041-001 |

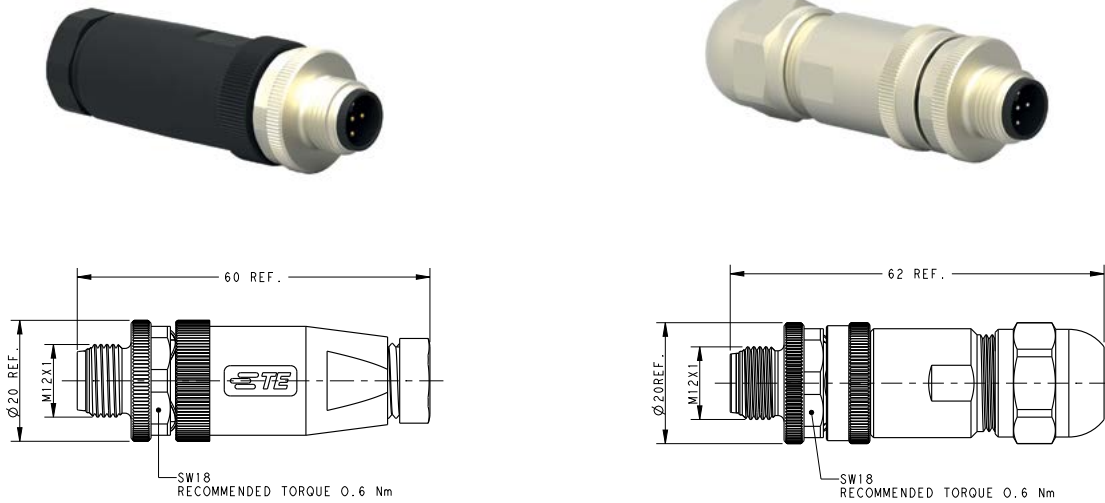
| TE Part Number | | |
|--|--|-----------------|
| M8, Male, Front Mount, 200mm Wire, Straight | | |
| 3-Pole | | T4070014031-001 |
| 4-Pole | | T4070014041-001 |

| TE Part Number | | |
|---|--|-----------------|
| M8, Female, Rear Mount, 200mm Wire, Straight | | |
| 3-Pole | | T4071017031-001 |
| 4-Pole | | T4071017041-001 |

| TE Part Number | | |
|--|--|-----------------|
| M8, Female, Front Mount, 200mm Wire, Straight | | |
| 3-Pole | | T4073014031-001 |
| 4-Pole | | T4073014041-001 |

M12 Straight Field Installable A, B, D Coded

Male Series



All dimensions in mm. Temperature range: -40 to +85 degree. Products can also be obtained with silver-plated contacts upon request.

| TE Part Number | | |
|--|-----|-----------------|
| A coding – M12 Male Screw Connection, Straight, Unshielded | | |
| 2-Pole | PG7 | T4111001021-000 |
| | PG9 | T4111002021-000 |
| 3-Pole | PG7 | T4111001031-000 |
| | PG9 | T4111002031-000 |
| 4-Pole | PG7 | T4111001041-000 |
| | PG9 | T4111002041-000 |
| 5-Pole | PG7 | T4111001051-000 |
| | PG9 | T4111002051-000 |
| 8-Pole | PG9 | T4111002081-000 |
| 12-Pole | PG9 | 6-2271110-2 |

| B coding – M12 Male Screw Connection, Straight, Unshielded | | |
|--|-----|-----------------|
| 2-Pole | PG7 | T4111401021-000 |
| | PG9 | T4111402021-000 |
| 3-Pole | PG7 | T4111401031-000 |
| | PG9 | T4111402031-000 |
| 4-Pole | PG7 | T4111401041-000 |
| | PG9 | T4111402041-000 |
| 5-Pole | PG7 | T4111401051-000 |
| | PG9 | T4111402051-000 |

| D coding – M12 Male Screw Connection, Straight, Unshielded | | |
|--|-----|-----------------|
| 2-Pole | PG7 | T4111501021-000 |
| | PG9 | T4111502021-000 |
| 3-Pole | PG7 | T4111501031-000 |
| | PG9 | T4111502031-000 |
| 4-Pole | PG7 | T4111501041-000 |
| | PG9 | T4111502041-000 |
| 5-Pole | PG7 | T4111501051-000 |
| | PG9 | T4111502051-000 |

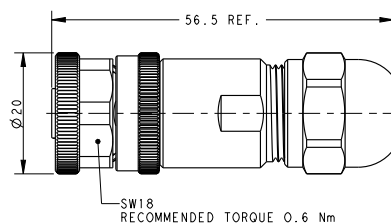
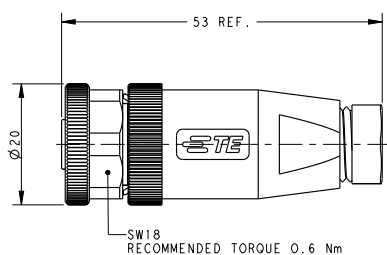
| TE Part Number | | |
|--|-----|-----------------|
| A coding – M12 Male Screw Connection, Straight, Shielded | | |
| 2-Pole | PG7 | T4111011021-000 |
| | PG9 | T4111012021-000 |
| 3-Pole | PG7 | T4111011031-000 |
| | PG9 | T4111012031-000 |
| 4-Pole | PG7 | T4111011041-000 |
| | PG9 | T4111012041-000 |
| 5-Pole | PG7 | T4111011051-000 |
| | PG9 | T4111012051-000 |
| 8-Pole | PG9 | T4111012081-000 |
| 12-Pole | PG9 | 6-2271111-2 |

| B coding – M12 Male Screw Connection, Straight, Shielded | | |
|--|-----|-----------------|
| 2-Pole | PG7 | T4111411021-000 |
| | PG9 | T4111412021-000 |
| 3-Pole | PG7 | T4111411031-000 |
| | PG9 | T4111412031-000 |
| 4-Pole | PG7 | T4111411041-000 |
| | PG9 | T4111412041-000 |
| 5-Pole | PG7 | T4111411051-000 |
| | PG9 | T4111412051-000 |

| D coding – M12 Male Screw Connection, Straight, Shielded | | |
|--|-----|-----------------|
| 2-Pole | PG7 | T4111511021-000 |
| | PG9 | T4111512021-000 |
| 3-Pole | PG7 | T4111511031-000 |
| | PG9 | T4111512031-000 |
| 4-Pole | PG7 | T4111511041-000 |
| | PG9 | T4111512041-000 |
| 5-Pole | PG7 | T4111511051-000 |
| | PG9 | T4111512051-000 |

M12 Straight Field Installable A, B, D Coded

Female Series



All dimensions in mm. Temperature range: -40 to +85 degree. Products can also be obtained with silver-plated contacts upon request.

| TE Part Number | | |
|--|-----|-----------------|
| A coding - M12 Female Screw Connection, Straight, Unshielded | | |
| 2-Pole | PG7 | T4110001021-000 |
| | PG9 | T4110002021-000 |
| 3-Pole | PG7 | T4110001031-000 |
| | PG9 | T4110002031-000 |
| 4-Pole | PG7 | T4110001041-000 |
| | PG9 | T4110002041-000 |
| 5-Pole | PG7 | T4110001051-000 |
| | PG9 | T4110002051-000 |
| 8-Pole | PG9 | T4110002081-000 |
| 12-Pole | PG9 | 6-2271116-2 |

| B coding - M12 Female Screw Connection, Straight, Unshielded | | |
|--|-----|-----------------|
| 2-Pole | PG7 | T4110401021-000 |
| | PG9 | T4110402021-000 |
| 3-Pole | PG7 | T4110401031-000 |
| | PG9 | T4110402031-000 |
| 4-Pole | PG7 | T4110401041-000 |
| | PG9 | T4110402041-000 |
| 5-Pole | PG7 | T4110401051-000 |
| | PG9 | T4110402051-000 |

| D coding - M12 Female Screw Connection, Straight, Unshielded | | |
|--|-----|-----------------|
| 2-Pole | PG7 | T4110501021-000 |
| | PG9 | T4110502021-000 |
| 3-Pole | PG7 | T4110501031-000 |
| | PG9 | T4110502031-000 |
| 4-Pole | PG7 | T4110501041-000 |
| | PG9 | T4110502041-000 |
| 5-Pole | PG7 | T4110501051-000 |
| | PG9 | T4110502051-000 |

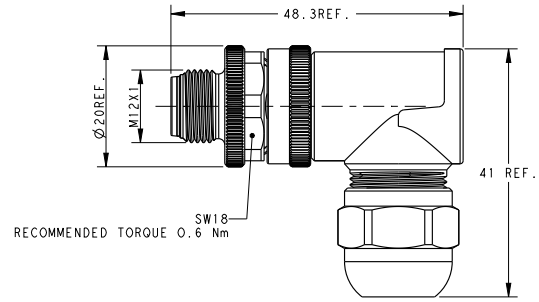
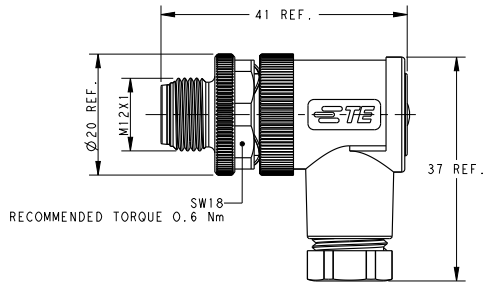
| TE Part Number | | |
|--|-----|-----------------|
| A coding - M12 Female Screw Connection, Straight, Shielded | | |
| 2-Pole | PG7 | T4110011021-000 |
| | PG9 | T4110012021-000 |
| 3-Pole | PG7 | T4110011031-000 |
| | PG9 | T4110012031-000 |
| 4-Pole | PG7 | T4110011041-000 |
| | PG9 | T4110012041-000 |
| 5-Pole | PG7 | T4110011051-000 |
| | PG9 | T4110012051-000 |
| 8-Pole | PG9 | T4110012081-000 |
| 12-Pole | PG9 | 6-2271117-2 |

| B coding - M12 Female Screw Connection, Straight, Shielded | | |
|--|-----|-----------------|
| 2-Pole | PG7 | T4110411021-000 |
| | PG9 | T4110412021-000 |
| 3-Pole | PG7 | T4110411031-000 |
| | PG9 | T4110412031-000 |
| 4-Pole | PG7 | T4110411041-000 |
| | PG9 | T4110412041-000 |
| 5-Pole | PG7 | T4110411051-000 |
| | PG9 | T4110412051-000 |

| D coding - M12 Female Screw Connection, Straight, Shielded | | |
|--|-----|-----------------|
| 2-Pole | PG7 | T4110511021-000 |
| | PG9 | T4110512021-000 |
| 3-Pole | PG7 | T4110511031-000 |
| | PG9 | T4110512031-000 |
| 4-Pole | PG7 | T4110511041-000 |
| | PG9 | T4110512041-000 |
| 5-Pole | PG7 | T4110511051-000 |
| | PG9 | T4110512051-000 |

M12 Angled Field Installable A, B, D Coded

Male Series



All dimensions in mm. Temperature range: -40 to +85 degree. Products can also be obtained with silver-plated contacts upon request.

| Temperature range: -25 to +85 | | TE Part Number |
|---|-----|-----------------|
| A coding – M12 Male Screw Connection, Angled, Unshielded | | |
| 2-Pole | PG7 | T4113001021-000 |
| | PG9 | T4113002021-000 |
| 3-Pole | PG7 | T4113001031-000 |
| | PG9 | T4113002031-000 |
| 4-Pole | PG7 | T4113001041-000 |
| | PG9 | T4113002041-000 |
| 5-Pole | PG7 | T4113001051-000 |
| | PG9 | T4113002051-000 |
| 8-Pole | PG9 | T4113002081-000 |
| 12-Pole | PG9 | 6-2271122-2 |

| B coding – M12 Male Screw Connection, Angled, Unshielded | | |
|---|-----|-----------------|
| 2-Pole | PG7 | T4113401021-000 |
| | PG9 | T4113402021-000 |
| 3-Pole | PG7 | T4113401031-000 |
| | PG9 | T4113402031-000 |
| 4-Pole | PG7 | T4113401041-000 |
| | PG9 | T4113402041-000 |
| 5-Pole | PG7 | T4113401051-000 |
| | PG9 | T4113402051-000 |

| D coding – M12 Male Screw Connection, Angled, Unshielded | | |
|---|-----|-----------------|
| 2-Pole | PG7 | T4113501021-000 |
| | PG9 | T4113502021-000 |
| 3-Pole | PG7 | T4113501031-000 |
| | PG9 | T4113502031-000 |
| 4-Pole | PG7 | T4113501041-000 |
| | PG9 | T4113502041-000 |
| 5-Pole | PG7 | T4113501051-000 |
| | PG9 | T4113502051-000 |

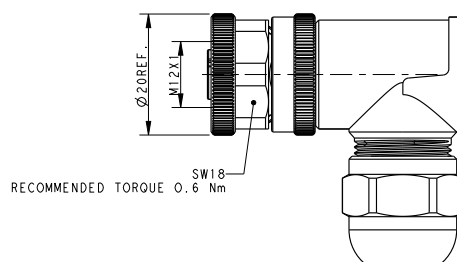
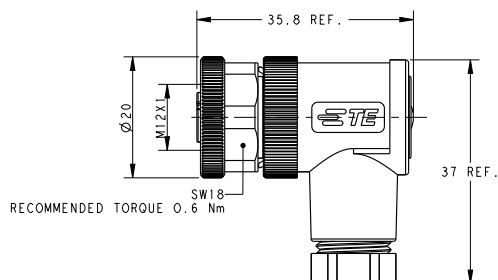
| TE Part Number | | |
|---|-----|-----------------|
| A coding – M12 Male Screw Connection, Angled, Shielded | | |
| 2-Pole | PG7 | T4113011021-000 |
| | PG9 | T4113012021-000 |
| 3-Pole | PG7 | T4113011031-000 |
| | PG9 | T4113012031-000 |
| 4-Pole | PG7 | T4113011041-000 |
| | PG9 | T4113012041-000 |
| 5-Pole | PG7 | T4113011051-000 |
| | PG9 | T4113012051-000 |
| 8-Pole | PG9 | T4113012081-000 |
| 12-Pole | PG9 | 6-2271123-2 |

| B coding – M12 Male Screw Connection, Angled, Shielded | | |
|---|-----|-----------------|
| 2-Pole | PG7 | T4113411021-000 |
| | PG9 | T4113412021-000 |
| 3-Pole | PG7 | T4113411031-000 |
| | PG9 | T4113412031-000 |
| 4-Pole | PG7 | T4113411041-000 |
| | PG9 | T4113412041-000 |
| 5-Pole | PG7 | T4113411051-000 |
| | PG9 | T4113412051-000 |

| D coding – M12 Male Screw Connection, Angled, Shielded | | |
|---|-----|-----------------|
| 2-Pole | PG7 | T4113511021-000 |
| | PG9 | T4113512021-000 |
| 3-Pole | PG7 | T4113511031-000 |
| | PG9 | T4113512031-000 |
| 4-Pole | PG7 | T4113511041-000 |
| | PG9 | T4113512041-000 |
| 5-Pole | PG7 | T4113511051-000 |
| | PG9 | T4113512051-000 |

M12 Angled Field Installable A, B, D Coded

Female Series



All dimensions in mm. Temperature range: -40 to +85 degree. Products can also be obtained with silver-plated contacts upon request.

| TE Part Number | | |
|--|-----|-----------------|
| A coding - M12 Female Screw Connection, Angled, Unshielded | | |
| 2-Pole | PG7 | T4112001021-000 |
| | PG9 | T4112002021-000 |
| 3-Pole | PG7 | T4112001031-000 |
| | PG9 | T4112002031-000 |
| 4-Pole | PG7 | T4112001041-000 |
| | PG9 | T4112002041-000 |
| 5-Pole | PG7 | T4112001051-000 |
| | PG9 | T4112002051-000 |
| 8-Pole | PG9 | T4112002081-000 |
| 12-Pole | PG9 | 6-2271128-2 |

| TE Part Number | | |
|--|-----|-----------------|
| A coding - M12 Female Screw Connection, Angled, Shielded | | |
| 2-Pole | PG7 | T4112011021-000 |
| | PG9 | T4112012021-000 |
| 3-Pole | PG7 | T4112011031-000 |
| | PG9 | T4112012031-000 |
| 4-Pole | PG7 | T4112011041-000 |
| | PG9 | T4112012041-000 |
| 5-Pole | PG7 | T4112011051-000 |
| | PG9 | T4112012051-000 |
| 8-Pole | PG9 | T4112012081-000 |
| 12-Pole | PG9 | 6-2271129-2 |

| TE Part Number | | |
|--|-----|-----------------|
| B coding - M12 Female Screw Connection, Angled, Unshielded | | |
| 2-Pole | PG7 | T4112401021-000 |
| | PG9 | T4112402021-000 |
| 3-Pole | PG7 | T4112401031-000 |
| | PG9 | T4112402031-000 |
| 4-Pole | PG7 | T4112401041-000 |
| | PG9 | T4112402041-000 |
| 5-Pole | PG7 | T4112401051-000 |
| | PG9 | T4112402051-000 |

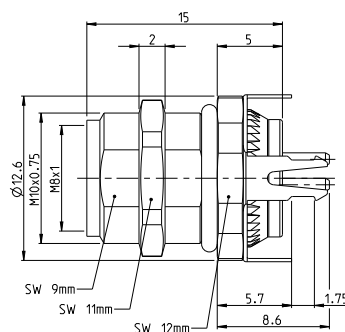
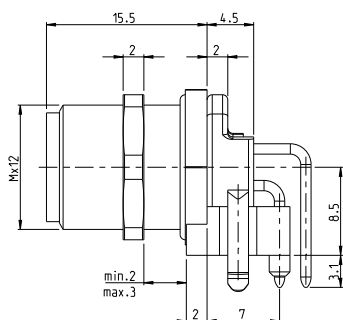
| TE Part Number | | |
|--|-----|-----------------|
| B coding - M12 Female Screw Connection, Angled, Shielded | | |
| 2-Pole | PG7 | T4112411021-000 |
| | PG9 | T4112412021-000 |
| 3-Pole | PG7 | T4112411031-000 |
| | PG9 | T4112412031-000 |
| 4-Pole | PG7 | T4112411041-000 |
| | PG9 | T4112412041-000 |
| 5-Pole | PG7 | T4112411051-000 |
| | PG9 | T4112412051-000 |

| TE Part Number | | |
|--|-----|-----------------|
| D coding - M12 Female Screw Connection, Angled, Unshielded | | |
| 2-Pole | PG7 | T4112501021-000 |
| | PG9 | T4112502021-000 |
| 3-Pole | PG7 | T4112501031-000 |
| | PG9 | T4112502031-000 |
| 4-Pole | PG7 | T4112501041-000 |
| | PG9 | T4112502041-000 |
| 5-Pole | PG7 | T4112501051-000 |
| | PG9 | T4112502051-000 |

| TE Part Number | | |
|--|-----|-----------------|
| D coding - M12 Female Screw Connection, Angled, Shielded | | |
| 2-Pole | PG7 | T4112511021-000 |
| | PG9 | T4112512021-000 |
| 3-Pole | PG7 | T4112511031-000 |
| | PG9 | T4112512031-000 |
| 4-Pole | PG7 | T4112511041-000 |
| | PG9 | T4112512041-000 |
| 5-Pole | PG7 | T4112511051-000 |
| | PG9 | T4112512051-000 |

M12 Panel Mount R/A PCB

Male Series



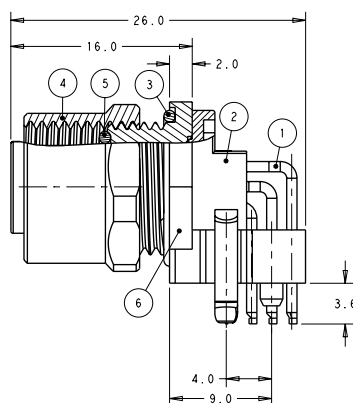
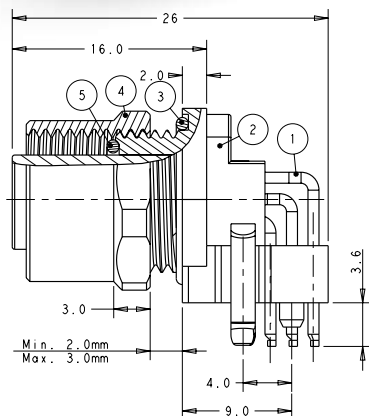
All dimensions in mm. Temperature range: -40 to +85 degree.

| TE Part Number | | |
|---|--|-------------|
| A coding – M12, Male, Rear Mount, PCB, R/A, Unshielded | | |
| 4-Pole | | 3-2172062-2 |
| 5-Pole | | 4-2172062-2 |
| A coding – M12, Male, Rear Mount, PCB, R/A, Shielded | | |
| 4-Pole (45 degrees) | | 3-2172094-2 |
| 4-Pole | | 3-2172081-2 |
| 5-Pole | | 4-2172081-2 |
| 8-Pole | | 5-2172081-2 |

| TE Part Number | | |
|---|--|-------------|
| B coding – M12, Male, Rear Mount, PCB, R/A, Unshielded | | |
| 5-Pole | | 4-2172082-2 |
| B coding – M12, Male, Rear Mount, PCB, R/A, Shielded | | |
| 5-Pole | | 4-2172063-2 |
| D coding – M12, Male, Rear Mount, PCB, R/A, Unshielded | | |
| 4-Pole | | 3-2172086-2 |
| D coding – M12, Male, Rear Mount, PCB, R/A, Shielded | | |
| 4-Pole | | 3-2172065-2 |

M12 Panel Mount R/A PCB

Female Series



All dimensions in mm. Temperature range: -40 to +85 degree.

| TE Part Number | | |
|---|--|-----------------|
| A coding - M12, Female, Rear Mount, PCB, R/A, Unshielded | | |
| 2-Pole | | T4145015021-001 |
| 3-Pole | | T4145015031-001 |
| 4-Pole | | T4145015041-001 |
| 5-Pole | | T4145015051-001 |

| TE Part Number | | |
|---|--|-----------------|
| A coding - M12, Female, Rear Mount, PCB, R/A, Shielded | | |
| 2-Pole | | T4145035021-001 |
| 3-Pole | | T4145035031-001 |
| 4-Pole | | T4145035041-001 |
| 4-Pole (45 degrees) | | 3-2172095-2 |
| 5-Pole | | T4145035051-001 |
| 8-Pole | | 5-2172079-2 |

| TE Part Number | | |
|---|--|-----------------|
| B coding - M12, Female, Rear Mount, PCB, R/A, Unshielded | | |
| 2-Pole | | T4145415021-001 |
| 3-Pole | | T4145415031-001 |
| 4-Pole | | T4145415041-001 |
| 5-Pole | | T4145415051-001 |

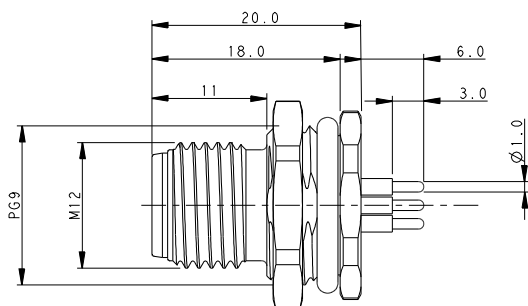
| TE Part Number | | |
|---|--|-----------------|
| B coding - M12, Female, Rear Mount, PCB, R/A, Shielded | | |
| 2-Pole | | T4145435021-001 |
| 3-Pole | | T4145435031-001 |
| 4-Pole | | T4145435041-001 |
| 5-Pole | | T4145435051-001 |

| TE Part Number | | |
|---|--|-----------------|
| D coding - M12, Female, Rear Mount, PCB, R/A, Unshielded | | |
| 2-Pole | | T4145515021-001 |
| 3-Pole | | T4145515031-001 |
| 4-Pole | | T4145515041-001 |
| 5-Pole | | T4145515051-001 |

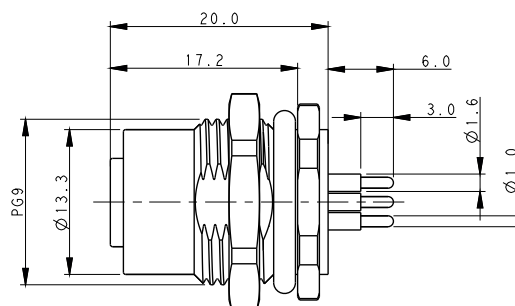
| TE Part Number | | |
|---|--|-----------------|
| D coding - M12, Female, Rear Mount, PCB, R/A, Shielded | | |
| 2-Pole | | T4145535021-001 |
| 3-Pole | | T4145535031-001 |
| 4-Pole | | T4145535041-001 |
| 5-Pole | | T4145535051-001 |

M12 Panel Mount Straight PCB – Rear Mounting

Male Series



Female Series



All dimensions in mm. Temperature range: -40 to +85 degree.

| TE Part Number | | |
|---|--|-----------------|
| A coding – M12 Male, Rear Mounting, Straight | | |
| 2-Pole | | T4140012021-000 |
| 3-Pole | | T4140012031-000 |
| 4-Pole | | T4140012041-000 |
| 5-Pole | | T4140012051-000 |

| TE Part Number | | |
|---|--|-----------------|
| B coding – M12 Male, Rear Mounting, Straight | | |
| 2-Pole | | T4140412021-000 |
| 3-Pole | | T4140412031-000 |
| 4-Pole | | T4140412041-000 |
| 5-Pole | | T4140412051-000 |

| TE Part Number | | |
|---|--|-----------------|
| D coding – M12 Male, Rear Mounting, Straight | | |
| 2-Pole | | T4140512021-000 |
| 3-Pole | | T4140512031-000 |
| 4-Pole | | T4140512041-000 |
| 5-Pole | | T4140512051-000 |

| TE Part Number | | |
|---|-----------------|--|
| A-coding - M12 Male, Rear Mounting, Solder PCB | | |
| 8-Pole | T4140012081-000 | |
| 12-Pole | T4140012121-000 | |

| TE Part Number | | |
|---|--|-----------------|
| A coding – M12 Female, Rear Mounting, Straight | | |
| 2-Pole | | T4141012021-000 |
| 3-Pole | | T4141012031-000 |
| 4-Pole | | T4141012041-000 |
| 5-Pole | | T4141012051-000 |

| TE Part Number | | |
|---|--|-----------------|
| B coding – M12 Female, Rear Mounting, Straight | | |
| 2-Pole | | T4141412021-000 |
| 3-Pole | | T4141412031-000 |
| 4-Pole | | T4141412041-000 |
| 5-Pole | | T4141412051-000 |

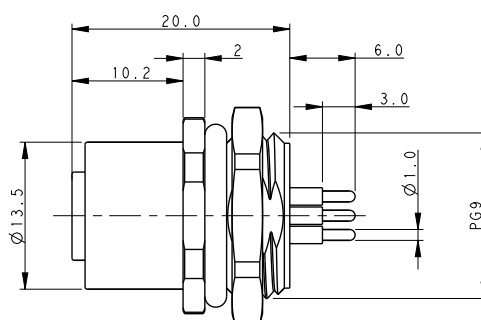
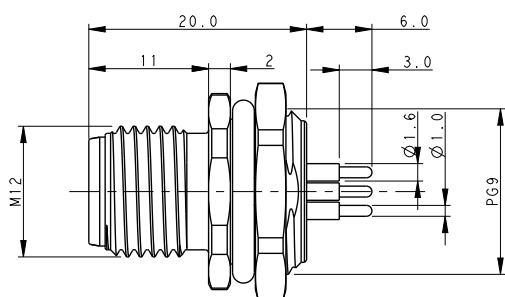
| TE Part Number | | |
|---|--|-----------------|
| D coding – M12 Female, Rear Mounting, Straight | | |
| 2-Pole | | T4141512021-000 |
| 3-Pole | | T4141512031-000 |
| 4-Pole | | T4141512041-000 |
| 5-Pole | | T4141512051-000 |

| TE Part Number | | |
|---|-----------------|--|
| A-coding - M12 Female, Rear Mounting, Solder PCB | | |
| 8-Pole | T4141012081-000 | |
| 12-Pole | T4141012121-000 | |

M12 Panel Mount Straight PCB – Front Mounting

Male Series

Female Series



All dimensions in mm. Temperature range: -40 to +85 degree.

| TE Part Number | | |
|--|--|-----------------|
| A coding – M12 Male, Front Mounting, Straight | | |
| 2-Pole | | T4142012021-000 |
| 3-Pole | | T4142012031-000 |
| 4-Pole | | T4142012041-000 |
| 5-Pole | | T4142012051-000 |

| | | |
|--|--|-----------------|
| B coding – M12 Male, Front Mounting, Straight | | |
| 2-Pole | | T4142412021-000 |
| 3-Pole | | T4142412031-000 |
| 4-Pole | | T4142412041-000 |
| 5-Pole | | T4142412051-000 |

| | | |
|--|--|-----------------|
| D coding – M12 Male, Front Mounting, Straight | | |
| 2-Pole | | T4142512021-000 |
| 3-Pole | | T4142512031-000 |
| 4-Pole | | T4142512041-000 |
| 5-Pole | | T4142512051-000 |

| | | |
|--|--|-----------------|
| A-coding – M12 Male, Front Mounting, Solder PCB | | |
| 8-Pole | | T4142012081-000 |
| 12-Pole | | T4142012121-000 |

| TE Part Number | | |
|--|--|-----------------|
| A coding – M12 Female, Front Mounting, Straight | | |
| 2-Pole | | T4143012021-000 |
| 3-Pole | | T4143012031-000 |
| 4-Pole | | T4143012041-000 |
| 5-Pole | | T4143012051-000 |

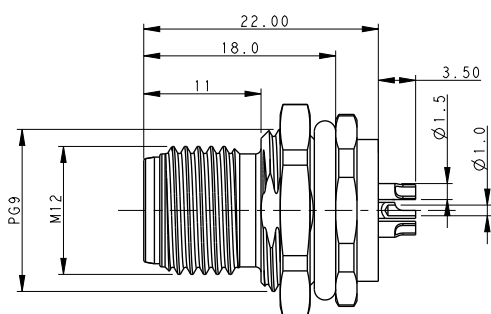
| | | |
|--|--|-----------------|
| B coding – M12 Female, Front Mounting, Straight | | |
| 2-Pole | | T4143412021-000 |
| 3-Pole | | T4143412031-000 |
| 4-Pole | | T4143412041-000 |
| 5-Pole | | T4143412051-000 |

| | | |
|--|--|-----------------|
| D coding – M12 Female, Front Mounting, Straight | | |
| 2-Pole | | T4143512021-000 |
| 3-Pole | | T4143512031-000 |
| 4-Pole | | T4143512041-000 |
| 5-Pole | | T4143512051-000 |

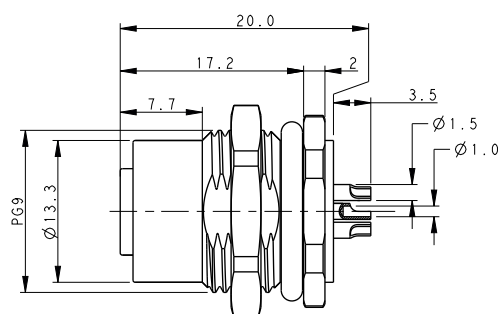
| | | |
|--|--|-----------------|
| A-coding – M12 Female, Front Mounting, Solder PCB | | |
| 8-Pole | | T4143012081-000 |
| 12-Pole | | T4143012121-000 |

M12 Panel Mount Solder Wire - Rear Mounting

Male Series



Female Series



All dimensions in mm. Temperature range: -40 to +85 degree.

| TE Part Number | | |
|---|--|-----------------|
| A coding - M12 Male, Rear Mounting, Straight | | |
| 2-Pole | | T4130012021-000 |
| 3-Pole | | T4130012031-000 |
| 4-Pole | | T4130012041-000 |
| 5-Pole | | T4130012051-000 |

| | | |
|---|--|-----------------|
| B coding - M12 Male, Rear Mounting, Straight | | |
| 2-Pole | | T4130412021-000 |
| 3-Pole | | T4130412031-000 |
| 4-Pole | | T4130412041-000 |
| 5-Pole | | T4130412051-000 |

| | | |
|---|--|-----------------|
| D coding - M12 Male, Rear Mounting, Straight | | |
| 2-Pole | | T4130512021-000 |
| 3-Pole | | T4130512031-000 |
| 4-Pole | | T4130512041-000 |
| 5-Pole | | T4130512051-000 |

| | | |
|--|--|-----------------|
| A-coding - M12 Male, Rear Mounting, Solder Wire | | |
| 8-Pole | | T4130012081-000 |
| 12-Pole | | T4130012121-000 |

| TE Part Number | | |
|---|--|-----------------|
| A coding - M12 Female, Rear Mounting, Straight | | |
| 2-Pole | | T4131012021-000 |
| 3-Pole | | T4131012031-000 |
| 4-Pole | | T4131012041-000 |
| 5-Pole | | T4131012051-000 |

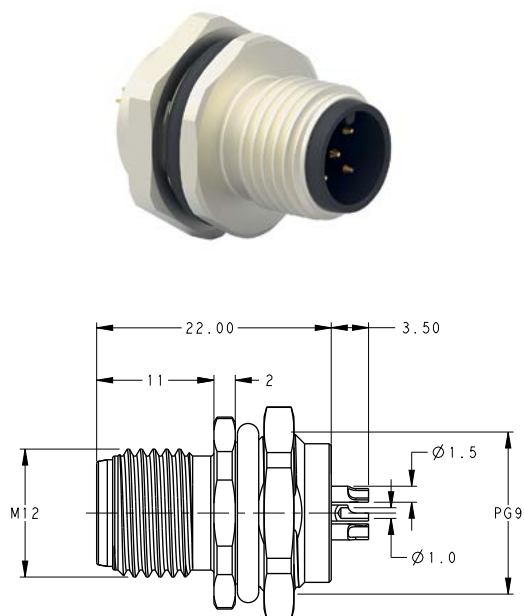
| | | |
|---|--|-----------------|
| B coding - M12 Female, Rear Mounting, Straight | | |
| 2-Pole | | T4131412021-000 |
| 3-Pole | | T4131412031-000 |
| 4-Pole | | T4131412041-000 |
| 5-Pole | | T4131412051-000 |

| | | |
|---|--|-----------------|
| D coding - M12 Female, Rear Mounting, Straight | | |
| 2-Pole | | T4131512021-000 |
| 3-Pole | | T4131512031-000 |
| 4-Pole | | T4131512041-000 |
| 5-Pole | | T4131512051-000 |

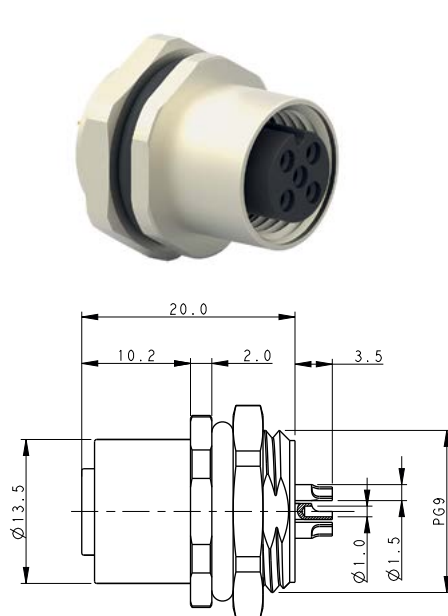
| | | |
|--|--|-----------------|
| A-coding - M12 Female, Rear Mounting, Solder Wire | | |
| 8-Pole | | T4131012081-000 |
| 12-Pole | | T4131012121-000 |

M12 Panel Mount Solder Wire - Front Mounting

Male Series



Female Series



All dimensions in mm. Temperature range: -40 to +85 degree.

| TE Part Number | | |
|--|--|-----------------|
| A coding - M12 Male, Front Mounting, Straight | | |
| 2-Pole | | T4132012021-000 |
| 3-Pole | | T4132012031-000 |
| 4-Pole | | T4132012041-000 |
| 5-Pole | | T4132012051-000 |

| TE Part Number | | |
|--|--|-----------------|
| B coding - M12 Male, Front Mounting, Straight | | |
| 2-Pole | | T4132412021-000 |
| 3-Pole | | T4132412031-000 |
| 4-Pole | | T4132412041-000 |
| 5-Pole | | T4132412051-000 |

| TE Part Number | | |
|--|--|-----------------|
| D coding - M12 Male, Front Mounting, Straight | | |
| 2-Pole | | T4132512021-000 |
| 3-Pole | | T4132512031-000 |
| 4-Pole | | T4132512041-000 |
| 5-Pole | | T4132512051-000 |

| TE Part Number | | |
|---|--|-----------------|
| A-coding - M12 Male, Front Mounting, Solder Wire | | |
| 8-Pole | | T4132012081-000 |
| 12-Pole | | T4132012121-000 |

| TE Part Number | | |
|--|--|-----------------|
| A coding - M12 Female, Front Mounting, Straight | | |
| 2-Pole | | T4133012021-000 |
| 3-Pole | | T4133012031-000 |
| 4-Pole | | T4133012041-000 |
| 5-Pole | | T4133012051-000 |

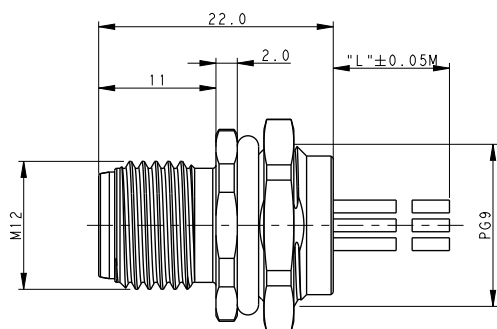
| TE Part Number | | |
|--|--|-----------------|
| B coding - M12 Female, Front Mounting, Straight | | |
| 2-Pole | | T4133412021-000 |
| 3-Pole | | T4133412031-000 |
| 4-Pole | | T4133412041-000 |
| 5-Pole | | T4133412051-000 |

| TE Part Number | | |
|--|--|-----------------|
| D coding - M12 Female, Front Mounting, Straight | | |
| 2-Pole | | T4133512021-000 |
| 3-Pole | | T4133512031-000 |
| 4-Pole | | T4133512041-000 |
| 5-Pole | | T4133512051-000 |

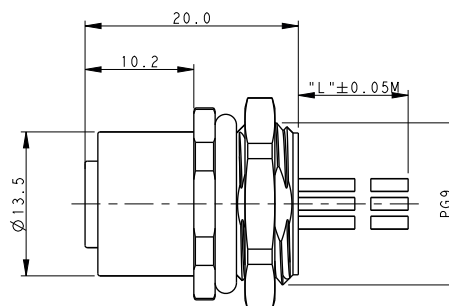
| TE Part Number | | |
|---|--|-----------------|
| A-coding - M12 Female, Front Mounting, Solder Wire | | |
| 8-Pole | | T4133012081-000 |
| 12-Pole | | T4133012121-000 |

M12 Panel Mount 200mm Wire – Front Mounting

Male Series



Female Series



All dimensions in mm. Temperature range: -40 to +85 degree.

| TE Part Number | | |
|--|--|-----------------|
| A coding – M12 Male, Front Mounting, 200mm wire | | |
| 2-Pole | | T4171210002-001 |
| 3-Pole | | T4171210003-001 |
| 4-Pole | | T4171210004-001 |
| 5-Pole | | T4171210005-001 |

| | | |
|--|--|-----------------|
| B coding – M12 Male, Front Mounting, 200mm wire | | |
| 2-Pole | | T4171210402-001 |
| 3-Pole | | T4171210403-001 |
| 4-Pole | | T4171210404-001 |
| 5-Pole | | T4171210405-001 |

| | | |
|--|--|-----------------|
| D coding – M12 Male, Front Mounting, 200mm wire | | |
| 2-Pole | | T4171210502-001 |
| 3-Pole | | T4171210503-001 |
| 4-Pole | | T4171210504-001 |
| 5-Pole | | T4171210505-001 |

| | | |
|--|--|-----------------|
| A-coding - M12 Male, Front Mounting, 200mm wire | | |
| 8-Pole | | T4171220008-001 |
| 12-Pole | | T4171230012-001 |

| TE Part Number | | |
|--|--|-----------------|
| A coding – M12 Female, Front Mounting, 200mm wire | | |
| 2-Pole | | T4171310002-001 |
| 3-Pole | | T4171310003-001 |
| 4-Pole | | T4171310004-001 |
| 5-Pole | | T4171310005-001 |

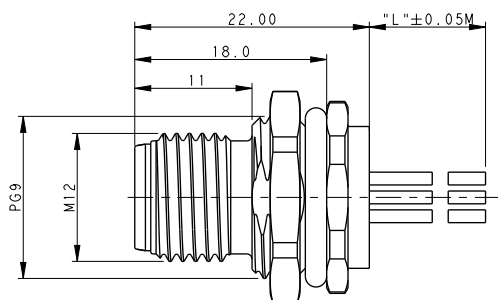
| | | |
|--|--|-----------------|
| B coding – M12 Female, Front Mounting, 200mm wire | | |
| 2-Pole | | T4171310402-001 |
| 3-Pole | | T4171310403-001 |
| 4-Pole | | T4171310404-001 |
| 5-Pole | | T4171310405-001 |

| | | |
|--|--|-----------------|
| D coding – M12 Female, Front Mounting, 200mm wire | | |
| 2-Pole | | T4171310502-001 |
| 3-Pole | | T4171310503-001 |
| 4-Pole | | T4171310504-001 |
| 5-Pole | | T4171310505-001 |

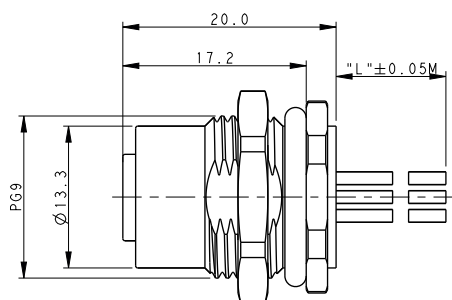
| | | |
|--|--|-----------------|
| A-coding - M12 Female, Front Mounting, 200mm wire | | |
| 8-Pole | | T4171330012-001 |
| 12-Pole | | T4171320008-001 |

M12 Panel Mount 200mm Wire - Rear Mounting

Male Series



Female Series



All dimensions in mm. Temperature range: -40 to +85 degree.

| TE Part Number | | |
|---|--|-----------------|
| A coding - M12 Male, Rear Mounting, 200mm wire | | |
| 2-Pole | | T4171010002-001 |
| 3-Pole | | T4171010003-001 |
| 4-Pole | | T4171010004-001 |
| 5-Pole | | T4171010005-001 |

| | | |
|---|--|-----------------|
| B coding - M12 Male, Rear Mounting, 200mm wire | | |
| 2-Pole | | T4171010402-001 |
| 3-Pole | | T4171010403-001 |
| 4-Pole | | T4171010404-001 |
| 5-Pole | | T4171010405-001 |

| | | |
|---|--|-----------------|
| D coding - M12 Male, Rear Mounting, 200mm wire | | |
| 2-Pole | | T4171010502-001 |
| 3-Pole | | T4171010503-001 |
| 4-Pole | | T4171010504-001 |
| 5-Pole | | T4171010505-001 |

| | | |
|---|--|-----------------|
| A-coding - M12 Male, Rear Mounting, 200mm wire | | |
| 8-Pole | | T4171020008-001 |
| 12-Pole | | T4171030012-001 |

| TE Part Number | | |
|---|--|-----------------|
| A coding - M12 Female, Rear Mounting, 200mm wire | | |
| 2-Pole | | T4171110002-001 |
| 3-Pole | | T4171110003-001 |
| 4-Pole | | T4171110004-001 |
| 5-Pole | | T4171110005-001 |

| | | |
|---|--|-----------------|
| B coding - M12 Female, Rear Mounting, 200mm wire | | |
| 2-Pole | | T4171110402-001 |
| 3-Pole | | T4171110403-001 |
| 4-Pole | | T4171110404-001 |
| 5-Pole | | T4171110405-001 |

| | | |
|---|--|-----------------|
| D coding - M12 Female, Rear Mounting, 200mm wire | | |
| 2-Pole | | T4171110502-001 |
| 3-Pole | | T4171110503-001 |
| 4-Pole | | T4171110504-001 |
| 5-Pole | | T4171110505-001 |

| | | |
|---|--|-----------------|
| A-coding - M12 Female, Rear Mounting, 200mm wire | | |
| 8-Pole | | T4171120008-001 |
| 12-Pole | | T4171130012-001 |

M12 Power Solutions

M12 L-coding Straight solder pcb



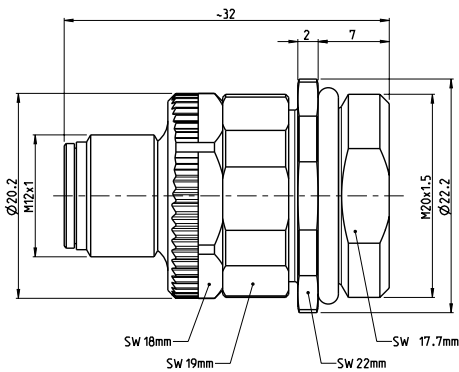
| Type | Poles | Mounting | TE Part Number |
|------|-------|----------|-----------------|
| Male | 2 | Rear | T4140L12031-000 |
| Male | 3 | Rear | T4140L12041-000 |
| Male | 4 | Rear | T4140L12051-000 |



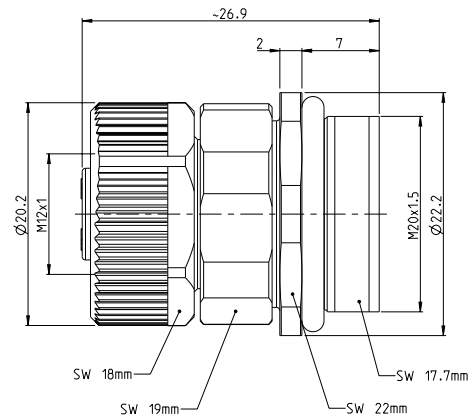
| Type | Poles | Mounting | TE Part Number |
|--------|-------|----------|-----------------|
| Female | 2 | Rear | T4141L12031-000 |
| Female | 3 | Rear | T4141L12041-000 |
| Female | 4 | Rear | T4141L12051-000 |

M12 S, T coded

Male Series



Female Series



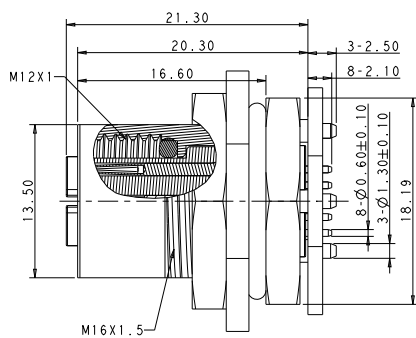
All dimensions in mm. Temperature range: -40 to +85 degree.

| TE Part Number | | |
|---|---------|-------------|
| S coding - M12 Male Screw Connection, Straight, Shielded | | |
| 3-Pole | plus PE | 2120951-1 |
| T coding - M12 Male Screw Connection, Straight, Shielded | | |
| 4-Pole | | 3-2172096-2 |
| T coding - M12 Male, Front Mounting M20 x 1.5 | | |
| 4-Pole | | 2120947-1 |

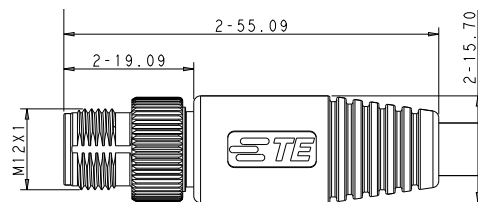
| TE Part Number | | |
|---|---------|-------------|
| S coding - M12 Female Screw Connection, Straight, Shielded | | |
| 3-Pole | plus PE | 2120950-1 |
| T coding - M12 Female Screw Connection, Straight, Shielded | | |
| 4-Pole | | 3-2172097-2 |
| T coding - M12 Female, Front Mounting M20 x 1.5 | | |
| 4-Pole | | 2120946-1 |

M12 X-Coded

M12 X-Coded PCB Connector



M12 Pin Connector Cable Assembly



All dimensions in mm. Temperature range: -40 to +85 degree.

| Description | TE Part Number |
|---|----------------|
| M12 X-Coded PCB Connector | |
| Female Panel Mount Solder PCB Connector | 2232331-1 |
| Female Panel Mount Solder Wire | 2271195-1 |
| M12 X-Coded Field Installable Connector | |
| Male Connector installable (IDC): 5.5-9mm cable diameter | 2120952-1 |

| Length | TE Part Number |
|---|----------------|
| M12 Pin Connector Cable Assembly | |
| 1m | 2241021-1 |
| 2m | 2241021-2 |
| 3m | 2241021-3 |
| 4m | 2241021-4 |
| 5m | 2241021-5 |
| 10m | 2241021-6 |

Accessories

Dust Caps



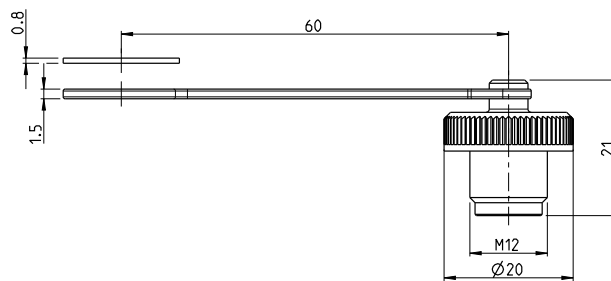
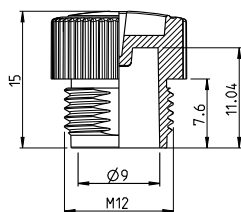
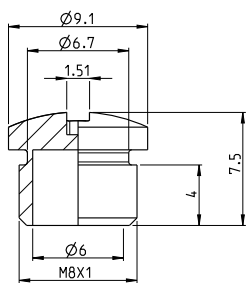
2823563-1



2823064-1



2823065-1



All dimensions in mm. Temperature range: -40 to +85 degree.

| TE Part Number | |
|---|-----------|
| Dust Caps | |
| M8, Dust Cap, Female, IP67, without sleeve | 2823563-1 |
| M12, Dust Cap, Female, IP67, without sleeve | 2823064-1 |
| M12, Dust Cap, Female, IP67, with sleeve | 2823065-1 |

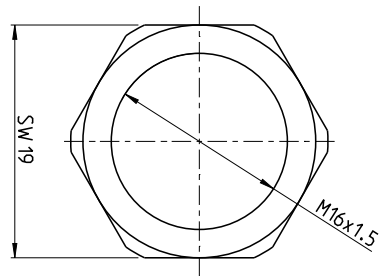
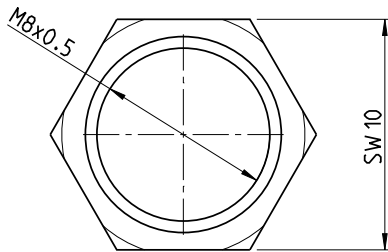
Nuts for Panel Mount connectors



2823423-1



2823066-1



All dimensions in mm.

| TE Part Number | |
|--|-----------|
| Nuts for Panel Mount connectors | |
| Nut for M8 Panel Mount connector | 2823423-1 |
| Nut for M12 Panel Mount connector | 2823066-1 |

Explore more from te.com:

M8/M12 Connectors

Connectors > Circular Connectors
TE CONNECTIVITY (TE)
M8/M12 Connector System

OVERVIEW RELATED MATERIALS

Field installable connector system for reliable communication

Safe and reliable communication - our M8/M12 connector system provides a full solution that includes connectors, IO modules, and cable assemblies. Decrease installation and tooling costs with TE's field installable connectors.

Browse Products Download Catalog

Product Features
M8/M12 connectors

- X-coded connectors support higher bandwidth needs of up to 10 Gb/s
- A,B,D,X,S,T coding available
- Easily installable connector system
- Environment protection IP67 and IP68
- Connector ranges include male and female
- All connectors also available with silver plated contacts for higher conductivity
- Alternative mount arrangements for solder cup or PCB
- Panel Mount and distribution version available
- Shield reliable

te.com/m8m12

M8M12 Cable Assemblies

Cable Assemblies > Copper Cable Assemblies
TE CONNECTIVITY (TE)
M8/M12 Sensor Cable Assemblies

OVERVIEW PRODUCTS

Sensor Cable Assemblies with high flexibility & reliability

M8/M12 Cable Assemblies are M8/M12 circular connectors overmolded to a cord set that safely and reliably ensure communication in industrial applications. Compared to installing separate cables and connectors for sensors and actuators, they provide a ready-to-plug solution for versatile systems to be quickly and easily established. Along with the connector configurations, the range of the M8/M12 overmolded cable assemblies are further enhanced with a wide selection of jacketed cable materials based on the application needs.

VIEW PRODUCTS Download Datasheet

Features
M8/M12 cable assemblies

- IP67 rated dust and waterproof
- Overmolded PVC or PUR cable assemblies/shielded and non-shielded versions
- Key options: A, X coded
- M12 Positions: 2, 3, 4, 5 & 8 poles
- M8 Positions: 3 & 4 poles
- M8 & M12 single ended cable assemblies
- M8 & M12 double ended cable assemblies
- M8 to M12 cable assemblies
- Cable length options: 0.5 m, 1 m, 1.5 m, 3 m, 5 m, 7 m, and 10 m; additional lengths for X-code: 2 m, 4 m, 15 m, 20 m

te.com/m8m12cableassemblies

FIND THE PART NUMBERS AND INFORMATION YOU ARE LOOKING FOR

Additional Information

Read more about the connector and cable assembly portfolio on the M8/M12 website - in many different languages.

Download the product flyer

Find all information you need at one glance in the M8/M12 connector system product flyer.

View the video

See our M8/M12 connector system video and learn about the product features, benefits and applications.

Find the products

If you are looking for a specific product or part number, the M8/M12 website is the place to look. Find the images, drawings, technical specifications and much more.



SENSOR/ACTUATOR M8/M12 A-CODE

M8/M12 A-coded cable assemblies are designed for applications such as sensors, robotics & production machinery & equipment, where extreme temperatures and harsh environments are likely to be encountered. These cable assemblies are also ideal for non-industrial applications where compact, robust and reliable connections are required to withstand rigorous environmental elements.

TE provides a full solution with shielded and non-shielded cable assembly options that help customers easily connect to advanced industrial networks. The new product line meets the IP67 rating for protection against dust and water ingress; they also provide protection against electromagnetic radiation, chemicals and mechanical stress commonly found in industrial environments.

Designed as industry standard solutions, these quick-turn cable assemblies help to reduce unnecessary downtime and help maintain continuous operations in critical conditions. TE's cross-industry expertise allows it to offer customized solutions through a broad cable assembly portfolio that includes connectivity to many industry standards serving various customer needs.

TE's M8/M12 cable assemblies are available as single-ended or double-ended, in straight and angled versions, with shielded and un-shielded variants. Various cable types are offered depending on the application requirements. Cable sheathing is in PVC or PUR. The predefined offering in length of 0.5, 1, 1.5, 3, 5, 7 and 10 meters covers a vast range of customer needs on the market. Customized cable assemblies in different lengths provide a solution for specific needs. All can be used in combination with TE's male/female connectors and I/O Modules.

KEY FEATURES

- IP67 rated: dust and waterproof
- Overmolded PVC or PUR cable assemblies/Shielded & non shielded versions
- Key options: A coded
- M12 Positions: 2, 3, 4, 5 & 8 poles
- M8 Positions: 3 & 4 poles
- M8 & M12 single ended cable assemblies
- M8 & M12 double ended cable assemblies
- M8 to M12 cable assemblies
- Cable length options: 0.5 m, 1 m, 1.5 m, 3 m, 5 m, 7 m, and 10 m

BENEFITS

- M12 Cable Assemblies are IP67 sealed and tested in TE's factory to eliminate the possibility of false wiring & to ensure robust connection
- Reduce downtime in harsh environments with reliable industry standard solution that includes quick turn, prototype cable assemblies.
- Full solution offering including customized and general market cable assemblies enables 1-stopshopping and reduced TCO

APPLICATIONS

- Industrial Communications
- Industrial Machinery
- Industrial automation
- Robotics
- Machine tools
- Semiconductor manufacturing
- Manufacturing of solenoid and sensor valves
- Process control systems
- Vision systems
- Electronics manufacturing

MECHANICAL

- Durability: 100 cycles
- Degree of protection: IP67
- Temperature Ratings:
 - PVC:
 - Fixed: -40°C to +80°C
 - Flexible: -25°C to +80°C
 - PUR:
 - Fixed: -10°C to +80°C
 - Flexible: -5°C to +80°C

ELECTRICAL

- Voltage rating
 - M12:
 - 250V (≤ 4 way)
 - 60V (5 way)
 - 30V (> 5 way)
 - M8:
 - 60V (3 way)
 - 30V (4 & 5 pos)
- Current rating
 - M12 A Coding
 - 2 - 5 ways = 4A
 - 6 - 8 ways = 2 A
 - M8: 3A
- Insulation Resistance: 100M Ω Min.

MATERIALS

- Contact: Brass, Gold Flash Plating
- Nut: Brass, Nickel plating
- O-ring: Silicon rubber
- Spring: Stainless steel
- Over-molding: TPU
- Housing: PA
- M12 Cable: 22 AWG, 2/3/4/5 core, with or without Foil, Drain, Braid Shield RoHS; Cable Jacket material: PVC or PUR
- M12 Cable: 24 AWG, 8 core, with or without Foil, Drain, Braid Shield RoHS; Cable Jacket material: PVC or PUR
- M8 Cable: 24 AWG, 3/4 core, with or without Foil, Drain, Braid Shield RoHS; Cable Jacket material: PVC or PUR

STANDARDS & APPLICATIONS

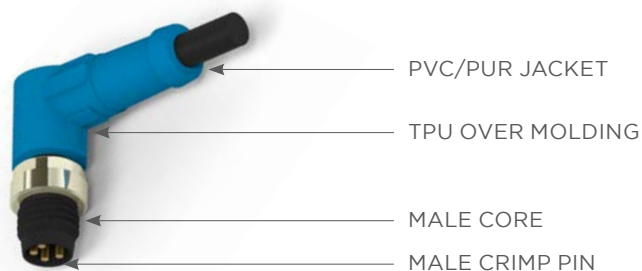
- Product Specification: 108-106140
- Application Specification: 114-137144
- UL Standard: UL2238
- IEC 61076-2-101: Detail specification for M12 connectors with screw-locking
- IEC 61076-2-104: Detail specification with M8 screw-locking or snap-locking
- IEC 60512: Electromechanical components for electronic equipment; basic testing procedure and measuring methods
- IEC-60529: Degree of protection provided by enclosures (IP Code)

* This wire diagram is applicable to all M8 cable assemblies listed in this flyer.

M8 Single Ended Cable Assembly

M8 cable assemblies T405/T406 series

STANDARD: IEC61076-2-104



T40 S A X W Y O MN -00L

| S | Application Type - Shield/Unshielded | MN | Position | -00L | Cable Length |
|---|--------------------------------------|----|-------------------------------|------|-------------------------|
| 5 | Unshielded | 03 | 3P | -001 | 0.5M |
| 6 | Shield | 04 | 4P | -002 | 1.0M |
| | | | | -003 | 1.5M |
| | | | | -004 | 3.0M |
| | | | | -005 | 5.0M |
| | | | | -006 | 7.0M |
| | | | | -007 | 10.0M |
| A | Single/Double | Y | Connector Type for Double End | -XXX | Customized Cable Length |
| 1 | Single end | 0 | N/A | -XX0 | XX M |
| 2 | Double end | 1 | M8 Straight, Male | -XX5 | XX.5 M |
| | | 2 | M8 Right angle, Male | | |
| | | 3 | M8 Straight, Female | | |
| | | 4 | M8 Right angle, Female | | |
| | | 5 | M12 Straight, Male | | |
| | | 6 | M12 Right angle, Male | | |
| | | 7 | M12 Straight, Female | | |
| | | 8 | M12 Right angle, Female | | |
| W | Cable Material Type | | | | |
| 1 | Black PVC | | | | |
| 2 | Gray PUR | | | | |

| Wiring Diagram-M8 cable assembly Unshielded* | | | |
|--|-------|-------|--------|
| From Pin | Poles | | To Pin |
| | 3 | 4 | |
| 1 | Brown | Brown | 1 |
| 2 | - | White | 2 |
| 3 | Blue | Blue | 3 |
| 4 | Black | Black | 4 |

| Wiring Diagram-M8 cable assembly Shielded* | | | |
|--|-----------|-----------|----------|
| From Pin | Poles | | To Pin |
| | 3 | 4 | |
| 1 | Brown | Brown | 1 |
| 2 | - | White | 2 |
| 3 | Blue | Blue | 3 |
| 4 | Black | Black | 4 |
| Shielded | Metal Nut | Metal Nut | Shielded |

* This wire diagram is applicable to all M8 cable assemblies listed in this flyer.

PRODUCT OFFERINGS - M8 Single Ended Cable Assembly

M8 STR SINGLE ENDED CABLE ASSEMBLY

| PN | Part Description | Pos | Type | Cable Material | Shielded/Unshielded |
|-----------------|----------------------------|-----|-----------------|----------------|---------------------|
| T4051320003-001 | M8 FS 3P PUR CABLE 0.5M | 3 | Female Straight | PUR | Unshielded |
| T4061320003-001 | M8 FS 3P PUR CABLE 0.5M SH | | | | Shielded |
| T4051310003-001 | M8 FS 3P PVC CABLE 0.5M | | | PVC | Unshielded |
| T4061310003-001 | M8 FS 3P PVC CABLE 0.5M SH | | | | Shielded |
| T4051320004-001 | M8 FS 4P PUR CABLE 0.5M | 4 | Female Straight | PUR | Unshielded |
| T4061320004-001 | M8 FS 4P PUR CABLE 0.5M SH | | | | Shielded |
| T4051310004-001 | M8 FS 4P PVC CABLE 0.5M | | | PVC | Unshielded |
| T4061310004-001 | M8 FS 4P PVC CABLE 0.5M SH | | | | Shielded |

| PN | Part Description | Pos | Type | Cable Material | Shielded/Unshielded |
|-----------------|------------------------------|-----|---------------|----------------|---------------------|
| T4051120003-001 | M8 MS 3P PUR CABLE 0.5M | 3 | Male Straight | PUR | Unshielded |
| T4061120003-001 | M8 MS 3P PUR CABLE 0.5M SH | | | | Shielded |
| T4051110003-001 | M8 MS 3P PVC CABLE 0.5M | | | PVC | Unshielded |
| T4061110003-001 | M8 MS 3P PVC CABLE 0.5M SH | | | | Shielded |
| T4051120004-001 | M8 MS 4P PUR CABLE 0.5M | 4 | Male Straight | PUR | Unshielded |
| T4061120004-001 | M8 MS 4P PUR CABLE 0.5M SH | | | | Shielded |
| T4051110004-001 | M8 MS 0.5M 4P PVC CABLE 0.5M | | | PVC | Unshielded |
| T4061110004-001 | M8 MS 4P PVC CABLE 0.5M SH | | | | Shielded |

M8 R/A SINGLE ENDED CABLE ASSEMBLY

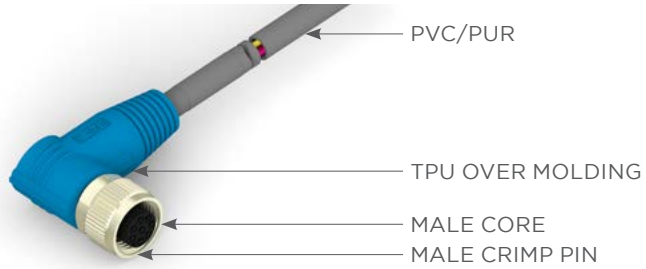
| PN | Part Description | Pos | Type | Cable Material | Shielded/Unshielded |
|-----------------|----------------------------|-----|--------------------|----------------|---------------------|
| T4051420003-001 | M8 FR 3P PUR CABLE 0.5M | 3 | Female Right Angle | PUR | Unshielded |
| T4061420003-001 | M8 FR 3P PUR CABLE 0.5M SH | | | | Shielded |
| T4051410003-001 | M8 FR 3P PVC CABLE 0.5M | | | PVC | Unshielded |
| T4061410003-001 | M8 FR 3P PVC CABLE 0.5M SH | | | | Shielded |
| T4051420004-001 | M8 FR 4P PUR CABLE 0.5M | 4 | Female Right Angle | PUR | Unshielded |
| T4061420004-001 | M8 FR 4P PUR CABLE 0.5M SH | | | | Shielded |
| T4051410004-001 | M8 FR 4P PVC CABLE 0.5M | | | PVC | Unshielded |
| T4061410004-001 | M8 FR 4P PVC CABLE 0.5M SH | | | | Shielded |

| PN | Part Description | Pos | Type | Cable Material | Shielded/Unshielded |
|-----------------|----------------------------|-----|------------------|----------------|---------------------|
| T4051220003-001 | M8 MR 3P PUR CABLE 0.5M | 3 | Male Right Angle | PUR | Unshielded |
| T4061220003-001 | M8 MR 3P PUR CABLE 0.5M SH | | | | Shielded |
| T4051210003-001 | M8 MR 3P PVC CABLE 0.5M | | | PVC | Unshielded |
| T4061210003-001 | M8 MR 3P PVC CABLE 0.5M SH | | | | Shielded |
| T4051220004-001 | M8 MR 4P PUR CABLE 0.5M | 4 | Male Right Angle | PUR | Unshielded |
| T4061220004-001 | M8 MR 4P PUR CABLE 0.5M SH | | | | Shielded |
| T4051210004-001 | M8 MR 4P PVC CABLE 0.5M | | | PVC | Unshielded |
| T4061210004-001 | M8 MR 4P PVC CABLE 0.5M SH | | | | Shielded |

M12 Single Ended Cable Assembly

M12 cable assemblies T415/T416 series

STANDARD: IEC61076-2-101



T41 S A X W Y C MN -00L

| S | Shield/Unshielded | MN | Position | -00L | Cable Length |
|---|-------------------|----|----------|------|-------------------------|
| 5 | Unshielded | 03 | 3P | -001 | 0.5M |
| 6 | Shield | 04 | 4P | -002 | 1.0M |
| | | 05 | 5P | -003 | 1.5M |
| | | 08 | 8P | -004 | 3.0M |
| | | | | -005 | 5.0M |
| | | | | -006 | 7.0M |
| | | | | -007 | 10.0M |
| | | | | -XXX | Customized Cable Length |
| | | | | -XX0 | XX M |
| | | | | -XX5 | XX.5 M |

| A | Single/Double End | Y | Connector Type for Double End |
|---|-------------------|---|-------------------------------|
| 1 | Single end | 0 | N/A |
| 2 | Double end | 1 | M12 Straight, Male |
| | | 2 | M12 Right angle, Male |
| | | 3 | M12 Straight, Female |
| | | 4 | M12 Right angle, Female |

| X | Connector Type for Single End |
|---|-------------------------------|
| 1 | M12 Straight, Male |
| 2 | M12 Right angle, Male |
| 3 | M12 Straight, Female |
| 4 | M12 Right angle, Female |

| W | Cable Material Type | C | Code |
|---|---------------------|---|--------|
| 1 | Black PVC | 0 | A Code |
| 2 | Gray PUR | | |

Wiring Diagram-M12 cable assembly Unshielded*

| From Pin | Poles | | | | | To Pin |
|----------|-------|-------|-------|-------|--------|--------|
| | 2 | 3 | 4 | 5 | 8 | |
| 1 | Brown | Brown | Brown | Brown | White | 1 |
| 2 | - | - | White | White | Brown | 2 |
| 3 | Blue | Blue | Blue | Blue | Green | 3 |
| 4 | - | Black | Black | Black | Yellow | 4 |
| 5 | - | - | - | Gray | Gray | 5 |
| 6 | - | - | - | - | Pink | 6 |
| 7 | - | - | - | - | Blue | 7 |
| 8 | - | - | - | - | Red | 8 |

Wiring Diagram-M12 cable assembly Shielded*

| From Pin | Poles | | | | | To Pin |
|----------|-----------|-----------|-----------|-----------|-----------|----------|
| | 2 | 3 | 4 | 5 | 8 | |
| 1 | Brown | Brown | Brown | Brown | White | 1 |
| 2 | - | - | White | White | Brown | 2 |
| 3 | Blue | Blue | Blue | Blue | Green | 3 |
| 4 | - | Black | Black | Black | Yellow | 4 |
| 5 | - | - | - | Gray | Gray | 5 |
| 6 | - | - | - | - | Pink | 6 |
| 7 | - | - | - | - | Blue | 7 |
| 8 | - | - | - | - | Red | 8 |
| Shielded | Metal Nut | Metal Nut | Metal Nut | Metal Nut | Metal Nut | Shielded |

* This wire diagram is applicable to all M12 cable assemblies listed in this flyer.

PRODUCT OFFERINGS - M12 A-Code Single Ended Cable Assembly

M12 A-CODE STR SINGLE ENDED CABLE ASSEMBLY

| PN | Part Description | Code | Pos | Type | Cable Materials | Shield/ Unshielded |
|-----------------|-----------------------------|------|-----|-----------------|-----------------|-----------------------|
| T4151320002-001 | M12 FS 2P PUR CABLE 0.5M | A | 2 | Female Straight | PUR | Unshielded |
| T4161320002-001 | M12 FS 2P PUR CABLE 0.5M SH | | | | | Shielded |
| T4151310002-001 | M12 FS 2P PVC CABLE 0.5M | | PVC | | Unshielded | |
| T4161310002-001 | M12 FS 2P PVC CABLE 0.5M SH | | | | Shielded | |
| T4151320003-001 | M12 FS 3P PUR CABLE 0.5M | | 3 | | PUR | Unshielded |
| T4161320003-001 | M12 FS 3P PUR CABLE 0.5M SH | | | | | Shielded |
| T4151310003-001 | M12 FS 3P PVC CABLE 0.5M | | PVC | | Unshielded | |
| T4161310003-001 | M12 FS 3P PVC CABLE 0.5M SH | | | | Shielded | |
| T4151320004-001 | M12 FS 4P PUR CABLE 0.5M | | 4 | | PUR | Unshielded |
| T4161320004-001 | M12 FS 4P PUR CABLE 0.5M SH | | | | | Shielded |
| T4151310004-001 | M12 FS 4P PVC CABLE 0.5M | | PVC | | Unshielded | |
| T4161310004-001 | M12 FS 4P PVC CABLE 0.5M SH | | | | Shielded | |
| T4151320005-001 | M12 FS 5P PUR CABLE 0.5M | | 5 | | PUR | Unshielded |
| T4161320005-001 | M12 FS 5P PUR CABLE 0.5M SH | | | | | Shielded |
| T4151310005-001 | M12 FS 5P PVC CABLE 0.5M | | PVC | | Unshielded | |
| T4161310005-001 | M12 FS 5P PVC CABLE 0.5M SH | | | | Shielded | |
| T4151320008-001 | M12 FS 8P PUR CABLE 0.5M | | 8 | | PUR | Unshielded |
| T4161320008-001 | M12 FS 8P PUR CABLE 0.5M SH | | | | | Shielded |
| T4151310008-001 | M12 FS 8P PVC CABLE 0.5M | | PVC | | Unshielded | |
| T4161310008-001 | M12 FS 8P PVC CABLE 0.5M SH | | | | Shielded | |



| PN | Part Description | Code | Pos | Type | Cable Materials | Shield/ Unshielded |
|-----------------|-----------------------------|------|-----|---------------|-----------------|-----------------------|
| T4151120002-001 | M12 MS 2P PUR CABLE 0.5M | A | 2 | Male Straight | PUR | Unshielded |
| T4161120002-001 | M12 MS 2P PUR CABLE 0.5M SH | | | | | Shielded |
| T4151110002-001 | M12 MS 2P PVC CABLE 0.5M | | PVC | | Unshielded | |
| T4161110002-001 | M12 MS 2P PVC CABLE 0.5M SH | | | | Shielded | |
| T4151120003-001 | M12 MS 3P PUR CABLE 0.5M | | 3 | | PUR | Unshielded |
| T4161120003-001 | M12 MS 3P PUR CABLE 0.5M SH | | | | | Shielded |
| T4151110003-001 | M12 MS 3P PVC CABLE 0.5M | | PVC | | Unshielded | |
| T4161110003-001 | M12 MS 3P PVC CABLE 0.5M SH | | | | Shielded | |
| T4151120004-001 | M12 MS 4P PUR CABLE 0.5M | | 4 | | PUR | Unshielded |
| T4161120004-001 | M12 MS 4P PUR CABLE 0.5M SH | | | | | Shielded |
| T4151110004-001 | M12 MS 4P PVC CABLE 0.5M | | PVC | | Unshielded | |
| T4161110004-001 | M12 MS 4P PVC CABLE 0.5M SH | | | | Shielded | |
| T4151120005-001 | M12 MS 5P PUR CABLE 0.5M | | 5 | | PUR | Unshielded |
| T4161120005-001 | M12 MS 5P PUR CABLE 0.5M SH | | | | | Shielded |
| T4151110005-001 | M12 MS 5P PVC CABLE 0.5M | | PVC | | Unshielded | |
| T4161110005-001 | M12 MS 5P PVC CABLE 0.5M SH | | | | Shielded | |
| T4151120008-001 | M12 MS 8P PUR CABLE 0.5M | | 8 | | PUR | Unshielded |
| T4161120008-001 | M12 MS 8P PUR CABLE 0.5M SH | | | | | Shielded |
| T4151110008-001 | M12 MS 8P PVC CABLE 0.5M | | PVC | | Unshielded | |
| T4161110008-001 | M12 MS 8P PVC CABLE 0.5M SH | | | | Shield | |



M12 A-CODE R/A SINGLE ENDED CABLE ASSEMBLY

| PN | Part Description | Code | Pos | Type | Cable Materials | Shield/ Unshielded |
|-----------------|-----------------------------|------|-----|------------|-----------------|-----------------------|
| T4151420002-001 | M12 FR 2P PUR CABLE 0.5M | A | 2 | Female | PUR | Unshielded |
| T4161420002-001 | M12 FR 2P PUR CABLE 0.5M SH | | | | | Shield |
| T4151410002-001 | M12 FR 2P PVC CABLE 0.5M | | 3 | | PUR | Unshielded |
| T4161410002-001 | M12 FR 2P PVC CABLE 0.5M SH | | | | | Shield |
| T4151420003-001 | M12 FR 3P PUR CABLE 0.5M | | 3 | | PVC | Unshielded |
| T4161420003-001 | M12 FR 3P PUR CABLE 0.5M SH | | | | | Shield |
| T4151410003-001 | M12 FR 3P PVC CABLE 0.5M | | 4 | | PUR | Unshielded |
| T4161410003-001 | M12 FR 3P PVC CABLE 0.5M SH | | | | | Shield |
| T4151420004-001 | M12 FR 4P PUR CABLE 0.5M | | 4 | | PVC | Unshielded |
| T4161420004-001 | M12 FR 4P PUR CABLE 0.5M SH | | | | | Shield |
| T4151410004-001 | M12 FR 4P PVC CABLE 0.5M | | 5 | | PUR | Unshielded |
| T4161410004-001 | M12 FR 4P PVC CABLE 0.5M SH | | | | | Shield |
| T4151420005-001 | M12 FR 5P PUR CABLE 0.5M | | 5 | | PVC | Unshielded |
| T4161420005-001 | M12 FR 5P PUR CABLE 0.5M SH | | | | | Shield |
| T4151410005-001 | M12 FR 5P PVC CABLE 0.5M | | 8 | | PUR | Unshielded |
| T4161410005-001 | M12 FR 5P PVC CABLE 0.5M SH | | | | | Shield |
| T4151420008-001 | M12 FR 8P PUR CABLE 0.5M | 8 | PVC | Unshielded | | |
| T4161420008-001 | M12 FR 8P PUR CABLE 0.5M SH | | | Shield | | |
| T4151410008-001 | M12 FR 8P PVC CABLE 0.5M | | | Unshielded | | |
| T4161410008-001 | M12 FR 8P PVC CABLE 0.5M SH | | | Shield | | |





| PN | Part Description | Code | Pos | Type | Cable Materials | Shield/ Unshielded |
|-----------------|-----------------------------|------|-----|------------|-----------------|-----------------------|
| T4151220002-001 | M12 MR 2P PUR CABLE 0.5M | A | 2 | Male | PUR | Unshielded |
| T4161220002-001 | M12 MR 2P PUR CABLE 0.5M SH | | | | | Shield |
| T4151210002-001 | M12 MR 2P PVC CABLE 0.5M | | 3 | | PUR | Unshielded |
| T4161210002-001 | M12 MR 2P PVC CABLE 0.5M SH | | | | | Shield |
| T4151220003-001 | M12 MR 3P PUR CABLE 0.5M | | 3 | | PVC | Unshielded |
| T4161220003-001 | M12 MR 3P PUR CABLE 0.5M SH | | | | | Shield |
| T4151210003-001 | M12 MR 3P PVC CABLE 0.5M | | 4 | | PUR | Unshielded |
| T4161210003-001 | M12 MR 3P PVC CABLE 0.5M SH | | | | | Shield |
| T4151220004-001 | M12 MR 4P PUR CABLE 0.5M | | 4 | | PVC | Unshielded |
| T4161220004-001 | M12 MR 4P PUR CABLE 0.5M SH | | | | | Shield |
| T4151210004-001 | M12 MR 4P PVC CABLE 0.5M | | 5 | | PUR | Unshielded |
| T4161210004-001 | M12 MR 4P PVC CABLE 0.5M SH | | | | | Shield |
| T4151220005-001 | M12 MR 5P PUR CABLE 0.5M | | 5 | | PVC | Unshielded |
| T4161220005-001 | M12 MR 5P PUR CABLE 0.5M SH | | | | | Shield |
| T4151210005-001 | M12 MR 5P PVC CABLE 0.5M | | 8 | | PUR | Unshielded |
| T4161210005-001 | M12 MR 5P PVC CABLE 0.5M SH | | | | | Shield |
| T4151220008-001 | M12 MR 8P PUR CABLE 0.5M | 8 | PVC | Unshielded | | |
| T4161220008-001 | M12 MR 8P PUR CABLE 0.5M SH | | | Shield | | |
| T4151210008-001 | M12 MR 8P PVC CABLE 0.5M | | | Unshielded | | |
| T4161210008-001 | M12 MR 8P PVC CABLE 0.5M SH | | | Shield | | |





PRODUCT OFFERINGS - M8 to M8 Double Ended Cable Assembly



M8 MALE STR – FEMALE STR DOUBLE ENDED CABLE ASSEMBLY

| PN | Part Description | Pos | Type | Cable Materials | Shield/Unshielded | |
|---------------------------------|---------------------------------------|-----|---|---|-------------------|------------|
| T4052123003-001 | M8 MS 3P – M8 FS 3P PUR CABLE 0.5M | 3 |  MS-FS | PUR | Unshielded | |
| T4062123003-001 | M8 MS 3P – M8 FS 3P PUR CABLE 0.5M SH | | | | Shield | |
| T4052113003-001 | M8 MS 3P – M8 FS 3P PVC CABLE 0.5M | | | PVC | Unshielded | |
| T4062113003-001 | M8 MS 3P – M8 FS 3P PVC CABLE 0.5M SH | | | | Shield | |
| T4052123004-001 | M8 MS 4P – M8 FS 4P PUR CABLE 0.5M | 4 | |  MS-FS | PUR | Unshielded |
| T4062123004-001 | M8 MS 4P – M8 FS 4P PUR CABLE 0.5M SH | | | | | Shield |
| T4052113004-001 | M8 MS 4P – M8 FS 4P PVC CABLE 0.5M | | | | PVC | Unshielded |
| T4062113004-001 | M8 MS 4P – M8 FS 4P PVC CABLE 0.5M SH | | | | | Shield |



M8 MALE STR – FEMALE R/A DOUBLE ENDED CABLE ASSEMBLY

| PN | Part Description | Pos | Type | Cable Materials | Shield/Unshielded | |
|---------------------------------|---------------------------------------|-----|---|---|-------------------|------------|
| T4052124003-001 | M8 MS 3P – M8 FR 3P PUR CABLE 0.5M | 3 |  MS-FR | PUR | Unshielded | |
| T4062124003-001 | M8 MS 3P – M8 FR 3P PUR CABLE 0.5M SH | | | | Shield | |
| T4052114003-001 | M8 MS 3P – M8 FR 3P PVC CABLE 0.5M | | | PVC | Unshielded | |
| T4062114003-001 | M8 MS 3P – M8 FR 3P PVC CABLE 0.5M SH | | | | Shield | |
| T4052124004-001 | M8 MS 4P – M8 FR 4P PUR CABLE 0.5M | 4 | |  MS-FR | PUR | Unshielded |
| T4062124004-001 | M8 MS 4P – M8 FR 4P PUR CABLE 0.5M SH | | | | | Shield |
| T4052114004-001 | M8 MS 4P – M8 FR 4P PVC CABLE 0.5M | | | | PVC | Unshielded |
| T4062114004-001 | M8 MS 4P – M8 FR 4P PVC CABLE 0.5M SH | | | | | Shield |

M8 MALE R/A – FEMALE R/A DOUBLE ENDED CABLE ASSEMBLY


| PN | Part Description | Pos | Type | Cable Materials | Shield/Unshielded | |
|---------------------------------|---------------------------------------|-----|---|---|-------------------|------------|
| T4052224003-001 | M8 MR 3P – M8 FR 3P PUR CABLE 0.5M | 3 |  MR-FR | PUR | Unshielded | |
| T4062224003-001 | M8 MR 3P – M8 FR 3P PUR CABLE 0.5M SH | | | | Shield | |
| T4052214003-001 | M8 MR 3P – M8 FR 3P PVC CABLE 0.5M | | | PVC | Unshielded | |
| T4062214003-001 | M8 MR 3P – M8 FR 3P PVC CABLE 0.5M SH | | | | Shield | |
| T4062224004-001 | M8 MR 4P – M8 FR 3P PUR CABLE 0.5M | 4 | |  MR-FR | PUR | Unshielded |
| T4052224004-001 | M8 MR 4P – M8 FR 3P PUR CABLE 0.5M SH | | | | | Shield |
| T4062214004-001 | M8 MR 4P – M8 FR 3P PVC CABLE 0.5M | | | | PVC | Unshielded |
| T4052214004-001 | M8 MR 4P – M8 FR 3P PVC CABLE 0.5M SH | | | | | Shield |

M8 MALE R/A – FEMALE STR DOUBLE ENDED CABLE ASSEMBLY


| PN | Part Description | Pos | Type | Cable Materials | Shield/Unshielded | |
|---------------------------------|---------------------------------------|-----|---|---|-------------------|------------|
| T4062223003-001 | M8 MR 3P – M8 FS 3P PUR CABLE 0.5M | 3 |  MR-FS | PUR | Unshield | |
| T4052223003-001 | M8 MR 3P – M8 FS 3P PUR CABLE 0.5M SH | | | | Shielded | |
| T4062213003-001 | M8 MR 3P – M8 FS 3P PVC CABLE 0.5M | | | PVC | Unshield | |
| T4052213003-001 | M8 MR 3P – M8 FS 3P PVC CABLE 0.5M SH | | | | Shielded | |
| T4052223004-001 | M8 MR 4P – M8 FS 3P PUR CABLE 0.5M | 4 | |  MR-FS | PUR | Unshielded |
| T4062223004-001 | M8 MR 4P – M8 FS 3P PUR CABLE 0.5M SH | | | | | Shield |
| T4052213004-001 | M8 MR 4P – M8 FS 3P PVC CABLE 0.5M | | | | PVC | Unshielded |
| T4062213004-001 | M8 MR 4P – M8 FS 3P PVC CABLE 0.5M SH | | | | | Shield |

PRODUCT OFFERINGS - M12 to M12 A-Code Double Ended Cable Assembly

M12 A-CODE MALE STR - FEMALE STR DOUBLE ENDED CABLE ASSEMBLY





| PN | Part Description | Pos | Type | Code | Cable Materials | Shield/Unshielded |
|-----------------|---|-----|--|------------|-----------------|-------------------|
| T4152123002-001 | M12 MS 2P - M12 FS 2P PUR CABLE 0.5M | 2 |  | A | PUR | Unshielded |
| T4162123002-001 | M12 MS 2P - M12 FS 2P PUR CABLE 0.5M SH | | | | | Shield |
| T4152113002-001 | M12 MS 2P - M12 FS 2P PVC CABLE 0.5M | PVC | | | Unshielded | |
| T4162113002-001 | M12 MS 2P - M12 FS 2P PVC CABLE 0.5M SH | | | | Shield | |
| T4152123003-001 | M12 MS 3P - M12 FS 3P PUR CABLE 0.5M | 3 | | | PUR | Unshielded |
| T4162123003-001 | M12 MS 3P - M12 FS 3P PUR CABLE 0.5M SH | | | | | Shield |
| T4152113003-001 | M12 MS 3P - M12 FS 3P PVC CABLE 0.5M | PVC | | | Unshielded | |
| T4162113003-001 | M12 MS 3P - M12 FS 3P PVC CABLE 0.5M SH | | | | Shield | |
| T4152123004-001 | M12 MS 4P - M12 FS 4P PUR CABLE 0.5M | 4 | | | PUR | Unshielded |
| T4162123004-001 | M12 MS 4P - M12 FS 4P PUR CABLE 0.5M SH | | | | | Shield |
| T4152113004-001 | M12 MS 4P - M12 FS 4P PVC CABLE 0.5M | PVC | | | Unshielded | |
| T4162113004-001 | M12 MS 4P - M12 FS 4P PVC CABLE 0.5M SH | | | | Shield | |
| T4152123005-001 | M12 MS 5P - M12 FS 5P PUR CABLE 0.5M | 5 | PUR | Unshielded | | |
| T4162123005-001 | M12 MS 5P - M12 FS 5P PUR CABLE 0.5M SH | | | Shield | | |
| T4152113005-001 | M12 MS 5P - M12 FS 5P PVC CABLE 0.5M | PVC | Unshielded | | | |
| T4162113005-001 | M12 MS 5P - M12 FS 5P PVC CABLE 0.5M SH | | Shield | | | |

M12 A-CODE MALE R/A - FEMALE R/A DOUBLE ENDED CABLE ASSEMBLY

| PN | Part Description | Pos | Type | Code | Cable Materials | Shield/Unshielded |
|-----------------|---|-----|--|------------|-----------------|-------------------|
| T4152224002-001 | M12 MR 2P - M12 FR 2P PUR CABLE 0.5M | 2 |  | A | PUR | Unshielded |
| T4162224002-001 | M12 MR 2P - M12 FR 2P PUR CABLE 0.5M SH | | | | | Shield |
| T4152214002-001 | M12 MR 2P - M12 FR 2P PVC CABLE 0.5M | PVC | | | Unshielded | |
| T4162214002-001 | M12 MR 2P - M12 FR 2P PVC CABLE 0.5M SH | | | | Shield | |
| T4152224003-001 | M12 MR 3P - M12 FR 3P PUR CABLE 0.5M | 3 | | | PUR | Unshielded |
| T4162224003-001 | M12 MR 3P - M12 FR 3P PUR CABLE 0.5M SH | | | | | Shield |
| T4152214003-001 | M12 MR 3P - M12 FR 3P PVC CABLE 0.5M | PVC | | | Unshielded | |
| T4162214003-001 | M12 MR 3P - M12 FR 3P PVC CABLE 0.5M SH | | | | Shield | |
| T4152224004-001 | M12 MR 4P - M12 FR 4P PUR CABLE 0.5M | 4 | | | PUR | Unshielded |
| T4162224004-001 | M12 MR 4P - M12 FR 4P PUR CABLE 0.5M SH | | | | | Shield |
| T4152214004-001 | M12 MR 4P - M12 FR 4P PVC CABLE 0.5M | PVC | | | Unshielded | |
| T4162214004-001 | M12 MR 4P - M12 FR 4P PVC CABLE 0.5M SH | | | | Shield | |
| T4152224005-001 | M12 MR 5P - M12 FR 5P PUR CABLE 0.5M | 5 | PUR | Unshielded | | |
| T4162224005-001 | M12 MR 5P - M12 FR 5P PUR CABLE 0.5M SH | | | Shield | | |
| T4152214005-001 | M12 MR 5P - M12 FR 5P PVC CABLE 0.5M | PVC | Unshielded | | | |
| T4162214005-001 | M12 MR 5P - M12 FR 5P PVC CABLE 0.5M SH | | Shield | | | |

PRODUCT OFFERINGS - M12 to M12 A-Code Double Ended Cable Assembly

M12 A-CODE MALE STR - FEMALE R/A DOUBLE ENDED CABLE ASSEMBLY


| PN | Part Description | Pos | Type | Code | Cable Materials | Shield/ Unshielded | | | | |
|-----------------|---|-----|--|------|--|--------------------|--|------------|-----|------------|
| T4152124002-001 | M12 MS 2P - M12 FR 2P PUR CABLE 0.5M | 2 |  MS-FR | A | PUR | Unshielded | | | | |
| T4162124002-001 | M12 MS 2P - M12 FR 2P PUR CABLE 0.5M SH | | | | | Shield | | | | |
| T4152114002-001 | M12 MS 2P - M12 FR 2P PVC CABLE 0.5M | | | | PVC | Unshielded | | | | |
| T4162114002-001 | M12 MS 2P - M12 FR 2P PVC CABLE 0.5M SH | | | | | Shield | | | | |
| T4152124003-001 | M12 MS 3P - M12 FR 3P PUR CABLE 0.5M | 3 | | |  MS-FR | A | PUR | Unshielded | | |
| T4162124003-001 | M12 MS 3P - M12 FR 3P PUR CABLE 0.5M SH | | | | | | | Shield | | |
| T4152114003-001 | M12 MS 3P - M12 FR 3P PVC CABLE 0.5M | | | | | | PVC | Unshielded | | |
| T4162114003-001 | M12 MS 3P - M12 FR 3P PVC CABLE 0.5M SH | | | | | | | Shield | | |
| T4152124004-001 | M12 MS 4P - M12 FR 4P PUR CABLE 0.5M | 4 | | | | |  MS-FR | A | PUR | Unshielded |
| T4162124004-001 | M12 MS 4P - M12 FR 4P PUR CABLE 0.5M SH | | | | | | | | | Shield |
| T4152114004-001 | M12 MS 4P - M12 FR 4P PVC CABLE 0.5M | | | | | | | | PVC | Unshielded |
| T4162114004-001 | M12 MS 4P - M12 FR 4P PVC CABLE 0.5M SH | | | | | | | | | Shield |
| T4152124005-001 | M12 MS 5P - M12 FR 5P PUR CABLE 0.5M | 5 |  MS-FR | A | | | | | PUR | Unshielded |
| T4162124005-001 | M12 MS 5P - M12 FR 5P PUR CABLE 0.5M SH | | | | | | | | | Shield |
| T4152114005-001 | M12 MS 5P - M12 FR 5P PVC CABLE 0.5M | | | | | | | | PVC | Unshielded |
| T4162114005-001 | M12 MS 5P - M12 FR 5P PVC CABLE 0.5M SH | | | | | | | | | Shield |

M12 A-CODE MALE R/A - FEMALE STR DOUBLE ENDED CABLE ASSEMBLY


| PN | Part Description | Pos | Type | Code | Cable Materials | Shield/ Unshielded | | | | |
|-----------------|---|-----|--|------|--|--------------------|--|------------|-----|------------|
| T4152223002-001 | M12 MR 2P - M12 FS 2P PUR CABLE 0.5M | 2 |  MR-FS | A | PUR | Unshielded | | | | |
| T4162223002-001 | M12 MR 2P - M12 FS 2P PUR CABLE 0.5M SH | | | | | Shield | | | | |
| T4152213002-001 | M12 MR 2P - M12 FS 2P PVC CABLE 0.5M | | | | PVC | Unshielded | | | | |
| T4162213002-001 | M12 MR 2P - M12 FS 2P PVC CABLE 0.5M SH | | | | | Shield | | | | |
| T4152223003-001 | M12 MR 3P - M12 FS 3P PUR CABLE 0.5M | 3 | | |  MR-FS | A | PUR | Unshielded | | |
| T4162223003-001 | M12 MR 3P - M12 FS 3P PUR CABLE 0.5M SH | | | | | | | Shield | | |
| T4152213003-001 | M12 MR 3P - M12 FS 3P PVC CABLE 0.5M | | | | | | PVC | Unshielded | | |
| T4162213003-001 | M12 MR 3P - M12 FS 3P PVC CABLE 0.5M SH | | | | | | | Shield | | |
| T4152223004-001 | M12 MR 4P - M12 FS 4P PUR CABLE 0.5M | 4 | | | | |  MR-FS | A | PUR | Unshielded |
| T4162223004-001 | M12 MR 4P - M12 FS 4P PUR CABLE 0.5M SH | | | | | | | | | Shield |
| T4152213004-001 | M12 MR 4P - M12 FS 4P PVC CABLE 0.5M | | | | | | | | PVC | Unshielded |
| T4162213004-001 | M12 MR 4P - M12 FS 4P PVC CABLE 0.5M SH | | | | | | | | | Shield |
| T4152223005-001 | M12 MR 5P - M12 FS 5P PUR CABLE 0.5M | 5 |  MR-FS | A | | | | | PUR | Unshielded |
| T4162223005-001 | M12 MR 5P - M12 FS 5P PUR CABLE 0.5M SH | | | | | | | | | Shield |
| T4152213005-001 | M12 MR 5P - M12 FS 5P PVC CABLE 0.5M | | | | | | | | PVC | Unshielded |
| T4162213005-001 | M12 MR 5P - M12 FS 5P PVC CABLE 0.5M SH | | | | | | | | | Shield |

PRODUCT OFFERINGS - M8 to M12 Double Ended Cable Assembly


M8 FEMALE STR - M12 MALE STR DOUBLE ENDED CABLE ASSEMBLY

| PN | Part Description | Pos | Type | Cable Materials | Shield/Unshielded |
|-----------------|-------------------------------------|-----|--|-----------------|-------------------|
| T4052325003-001 | M8 3P FS - M12 3P MS PUR CABLE 0.5M | 3 |  | PUR | Unshielded |
| T4052315003-001 | M8 3P FS - M12 3P MS PVC CABLE 0.5M | | | PVC | |
| T4052325004-001 | M8 4P FS - M12 4P MS PUR CABLE 0.5M | 4 | | PUR | |
| T4052315004-001 | M8 4P FS - M12 4P MS PVC CABLE 0.5M | | | PVC | |


M8 FEMALE STR - M12 MALE R/A DOUBLE ENDED CABLE ASSEMBLY

| PN | Part Description | Pos | Type | Cable Materials | Shield/Unshielded |
|-----------------|-------------------------------------|-----|--|-----------------|-------------------|
| T4052326003-001 | M8 3P FS - M12 3P MR PUR CABLE 0.5M | 3 |  | PUR | Unshielded |
| T4052316003-001 | M8 3P FS - M12 3P MR PVC CABLE 0.5M | | | PVC | |
| T4052326004-001 | M8 4P FS - M12 4P MR PUR CABLE 0.5M | 4 | | PUR | |
| T4052316004-001 | M8 4P FS - M12 4P MR PVC CABLE 0.5M | | | PVC | |

M8 FEMALE R/A - M12 MALE STR DOUBLE ENDED CABLE ASSEMBLY


| PN | Part Description | Pos | Type | Cable Materials | Shield/Unshielded |
|-----------------|-------------------------------------|-----|--|-----------------|-------------------|
| T4052425003-001 | M8 3P FR - M12 3P MS PUR CABLE 0.5M | 3 |  | PUR | Unshielded |
| T4052415003-001 | M8 3P FR - M12 3P MS PVC CABLE 0.5M | | | PVC | |
| T4052425004-001 | M8 4P FR - M12 4P MS PUR CABLE 0.5M | 4 | | PUR | |
| T4052415004-001 | M8 4P FR - M12 4P MS PVC CABLE 0.5M | | | PVC | |

M8 FEMALE R/A - M12 MALE R/A DOUBLE ENDED CABLE ASSEMBLY


| PN | Part Description | Pos | Type | Cable Materials | Shield/Unshielded |
|-----------------|-------------------------------------|-----|--|-----------------|-------------------|
| T4052426003-001 | M8 3P FR - M12 3P MR PUR CABLE 0.5M | 3 |  | PUR | Unshielded |
| T4052416003-001 | M8 3P FR - M12 3P MR PVC CABLE 0.5M | | | PVC | |
| T4052426004-001 | M8 4P FR - M12 4P MR PUR CABLE 0.5M | 4 | | PUR | |
| T4052416004-001 | M8 4P FR - M12 4P MR PVC CABLE 0.5M | | | PVC | |

PRODUCT OFFERINGS - M8 to M12 Double Ended Cable Assembly


M8 MALE STR – M12 FEMALE STR DOUBLE ENDED CABLE ASSEMBLY

| PN | Part Description | Pos | Type | Cable Materials | Shield/Unshielded |
|-----------------|-------------------------------------|-----|--|-----------------|-------------------|
| T4052127003-001 | M8 3P MS – M12 3P FS PUR CABLE 0.5M | 3 |  M8 MS -M12 FS | PUR | Unshielded |
| T4052117003-001 | M8 3P MS – M12 3P FS PVC CABLE 0.5M | | | PVC | |
| T4052127004-001 | M8 4P MS – M12 4P FS PUR CABLE 0.5M | 4 | | PUR | |
| T4052117004-001 | M8 4P MS – M12 4P FS PVC CABLE 0.5M | | | PVC | |


M8 MALE STR – M12 FEMALE R/A DOUBLE ENDED CABLE ASSEMBLY

| PN | Part Description | Pos | Type | Cable Materials | Shield/Unshielded |
|-----------------|-------------------------------------|-----|--|-----------------|-------------------|
| T4052128003-001 | M8 3P MS – M12 3P FR PUR CABLE 0.5M | 3 |  M8 MS -M12 FR | PUR | Unshielded |
| T4052118003-001 | M8 3P MS – M12 3P FR PVC CABLE 0.5M | | | PVC | |
| T4052128004-001 | M8 4P MS – M12 4P FR PUR CABLE 0.5M | 4 | | PUR | |
| T4052118004-001 | M8 4P MS – M12 4P FR PVC CABLE 0.5M | | | PVC | |

M8 MALE R/A – M12 FEMALE STR DOUBLE ENDED CABLE ASSEMBLY




| PN | Part Description | Pos | Type | Cable Materials | Shield/Unshielded |
|-----------------|-------------------------------------|-----|--|-----------------|-------------------|
| T4052227003-001 | M8 3P MR – M12 3P FS PUR CABLE 0.5M | 3 |  M8 MR -M12 FS | PUR | Unshielded |
| T4052217003-001 | M8 3P MR – M12 3P FS PVC CABLE 0.5M | | | PVC | |
| T4052227004-001 | M8 4P MR – M12 4P FS PUR CABLE 0.5M | 4 | | PUR | |
| T4052217004-001 | M8 4P MR – M12 4P FS PVC CABLE 0.5M | | | PVC | |

M8 MALE R/A – M12 FEMALE R/A DOUBLE ENDED CABLE ASSEMBLY

| PN | Part Description | Pos | Type | Cable Materials | Shield/Unshielded |
|-----------------|-------------------------------------|-----|---|-----------------|-------------------|
| T4052228003-001 | M8 3P MR – M12 3P FR PUR CABLE 0.5M | 3 |  M8 MR - M12 FR | PUR | Unshielded |
| T4052218003-001 | M8 3P MR – M12 3P FR PVC CABLE 0.5M | | | PVC | |
| T4052228004-001 | M8 4P MR – M12 4P FR PUR CABLE 0.5M | 4 | | PUR | |
| T4052218004-001 | M8 4P MR – M12 4P FR PVC CABLE 0.5M | | | PVC | |

Cable Specifications

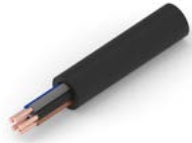

M8 UNSHIELDED CABLE ASSEMBLIES

| M8 cable assembly unshielded PVC series | | M8 cable assembly unshielded PUR series | |
|---|---|---|---|
| Image | PVC | | PUR |
| |  |  |  |
| No. of conductors | 3 | 4 | 3 |
| Jacket material | PVC | | PUR |
| Jacket color | Black | | Gray |
| Cross section | 24AWG | | 24AWG |
| Construction | 32/0.10mm | | 32/0.10mm |
| Temp range-Fixed | -10°C-80°C | | -40°C-80°C |
| Temp range-Flexible | -5°C-80°C | | -25°C-80°C |
| Features | Flame Retardant, Rohs | | Flame Retardant, oil resistant, Rohs |
| Standards | UL758, UL1581, UL2464 | | UL758, UL1581, UL20549 |

M8 SHIELDED CABLE ASSEMBLIES

| M8 cable assembly shielded PVC series | | M8 cable assembly shielded PUR series | |
|---------------------------------------|---|---|---|
| Image | PVC | | PUR |
| |  |  |  |
| No. of conductors | 3 | 4 | 3 |
| Jacket material | PVC | | PUR |
| Jacket color | Black | | Gray |
| Cross section | 24AWG | | 24AWG |
| Construction | Construction: 32/0.10mm Shield1: AL/Mylar Shield2: Tinned copper braid | | Construction: 32/0.10mm Shield1: AL/Mylar Shield2: Tinned copper braid |
| Temp range-Fixed | -10°C-80°C | | -40°C-80°C |
| Temp range-Flexible | -5°C-80°C | | -25°C-80°C |
| Features | Flame Retardant, Rohs | | Flame Retardant, oil resistant, Rohs |
| Standards | UL758, UL1581, UL2464 | | UL758, UL1581, UL20549 |

M12 UNSHIELDED CABLE ASSEMBLIES

| | M12 PVC cable assembly unshielded series | | | | | M12 PUR cable assembly unshielded series | | | | |
|---------------------|--|------------|------------|------------|------------|--|------------|------------|------------|------------|
| Image |  <p>PVC</p> | | | | |  <p>PUR</p> | | | | |
| No. of conductors | 2 | 3 | 4 | 5 | 8 | 2 | 3 | 4 | 5 | 8 |
| Jacket material | PVC | | | | | PUR | | | | |
| Jacket color | Black | | | | | Gray | | | | |
| Cross section | 22AWG | | | | | 22AWG | 22AWG | 22AWG | 22AWG | 24AWG |
| Construction | 43/0.10 mm | 43/0.10 mm | 43/0.10 mm | 43/0.10 mm | 32/0.10 mm | 43/0.10 mm | 43/0.10 mm | 43/0.10 mm | 43/0.10 mm | 32/0.10 mm |
| Temp range-Fixed | -10°C-80°C | | | | | -40°C-80°C | | | | |
| Temp range-Flexible | -5°C-80°C | | | | | -25°C-80°C | | | | |
| Features | Flame Retardant, Rohs | | | | | Flame Retardant, oil resistant, Rohs | | | | |
| Standards | UL758, UL1581, UL2464 | | | | | UL758, UL1581, UL20549 | | | | |

M12 SHIELDED CABLE ASSEMBLIES

| | M12 cable assembly shielded series | | | | | M12 cable assembly shielded series | | | | |
|---------------------|--|-------|-------|--|-------|--|-------|-------|---|-------|
| Image |  <p>PVC</p> | | | | |  <p>PUR</p> | | | | |
| No. of conductors | 2 | 3 | 4 | 5 | 8 | 2 | 3 | 4 | 5 | 8 |
| Jacket material | PVC | | | | | PUR | | | | |
| Jacket color | Black | | | | | Gray | | | | |
| Cross section | 22AWG | 22AWG | 22AWG | 22AWG | 24AWG | 22AWG | 22AWG | 22AWG | 22AWG | 24AWG |
| Construction | Construction: 43/0.10mm Shield1: AL/Mylar Shield2: Tinned copper braid | | | Construction: 32/0.10mm Shield1: AL/Mylar Shield2: Tinned copper braid | | Construction: 43/0.10mm Shield1: AL/Mylar Shield2: Tinned copper braid | | | Construction: 2/0.10mm Shield1: AL/Mylar Shield2: Tinned copper braid | |
| Temp range-Fixed | -10°C-80°C | | | | | -40°C-80°C | | | | |
| Temp range-Flexible | -5°C-80°C | | | | | -25°C-80°C | | | | |
| Features | Flame Retardant, Rohs | | | | | Flame Retardant, oil resistant, Rohs | | | | |
| Standards | UL758, UL1581, UL2464 | | | | | UL758, UL1581, UL20549 | | | | |



M12 FIELDBUS CABLE ASSEMBLY SOLUTIONS

TE now complements its' Sensor/Actuator cable assemblies with Data Communication solutions by introducing the Fieldbus cable assemblies. First developed more than two decades ago, many different field networks still continue to dominate Industrial automation and process control. Fieldbus networks seems to be very practical at the lowest level of the automation pyramid and are critical element of Industry 4.0, IIoT and beyond for end devices that do not require the bandwidth but do need the ability to have power and signal in the same cable.

The new A and B-coded M12 cable assemblies comply with Profibus, DeviceNet and CC-link protocols, offering multiple options for a variety of needs that makes TE an one-stop shop. They have 360-degree shielding against EMI for complete protection for signal and data transmission, and are rated IP67 for resistance to dust and water. The assemblies are overmolded in either PVC or halogen-free polyurethane (PUR) cables, suitable for drag chain applications or torsional stress, depending on customer performance requirements.

Assemblies are produced in many customer-specific plug-and-play configurations to enable design flexibility and quick installation in most industrial environments. Applications for the new assemblies lie in numerous areas of industry, including process control systems, robotics and automation, production equipment, machine tools and material handling.

TE's Fieldbus M12 cable assemblies are available as single-ended or double-ended, in straight and angled versions, all shielded variants. Various cable types are offered depending on the application requirements. The predefined offering in length of 0.5, to 15 meters covers a vast range of customer needs on the market, while customized cable assemblies in different lengths provide a solution for specific needs. All can be used in combination with TE's male/female connectors.

BENEFITS

- Maximum signal transmission
- Reduced noise and interference
- Maximum installation versatility
- Cable types variations for drag chain and torsion applications

• APPLICATIONS

- Industrial Communications
- Industrial Machinery
- Industrial Automation
- Machine tools
- Robotics
- Material Handling
- Process control systems

KEY FEATURES

- IP67 rated: dust and waterproof
- Overmolded PVC or PUR cable assemblies/ Shielded
- Key options: A, B coded
- M12 Positions: 2, 4, 5 pos
- M12 B-coded 5-pole for Profibus applications
- M12 A-code 5pos for DeviceNet applications
- M12 A-code 4pos for CC-link applications
- Cable length options: 0.5 m, 1 m, 2m, 4m, 6m, 8m, 10m & 15m.

MECHANICAL

- Durability: 100 cycles
- Degree of protection: IP67
- Temperature Ratings:
 - Profibus PUR:
 - Fixed: -40°C to +80°C
 - Flexible: -40°C to +75°C
- Profibus PUR Torsion:
Operating temperature -25°C to +75°C
- DeviceNet PUR:
Operating temperature -20°C to +75°C
- DeviceNet PVC:
Operating temperature -40C to +80°C
- CC-Link PVC:
Operating temperature -30C to +60°C

ELECTRICAL

Voltage and Current Rating:

- M12 A code 4 poles: 250V/4A
- M12 A code 5 poles: 60V/4A
- M12 B code 2 poles: 250V/4A

MATERIALS

- Contact: Brass, Gold Plating
- Nut & Shells: Brass, Nickel plating
- O-ring: Silicon rubber
- Over-molding: TPU/PVC
- Housing: PA
- PROFIBUS® M12 Cable Assy B-code 2-pole 1x2x22AWG PUR Drag Chain
- PROFIBUS®M12 Cable Assy B-code 2-pole 1x2x24AWG PUR Torsion
- DeviceNet™ M12 Cable Assy A-code 5-pole 2x24AWG+2x22AWG Thin Violet PUR
- DeviceNet™ M12 Cable Assy A-code 5-pole 2x24AWG+2x22AWG Thin Gray PVC
- CC-Link® M12 Cable Assy A-code 4pos 3 conductor 20AWG Red PVC

SPECIFICATIONS

- Product Specification: 108-106140
- Application Specification: 114-137144
- UL Standard: UL2238
- IEC 61076-2-101: Detail specification for M12 connectors with screw-locking
- IEC 60512: Electromechanical Components For Electronic Equipment; Basic Testing Procedure and Measuring Methods
- IEC-60529: Degree of Protection Provided by Enclosures (IP Code)

PRODUCT OFFERINGS - CC-LINK M12 A-CODE 4POS CABLE ASSEMBLIES SINGLE ENDED

| Part Number | Part Description | Application | Code | POS | Type | Cable Material | Shielded |
|-----------------|-------------------|--------------------|------|-----|---------------------------|----------------|----------|
| TAA541B1411-001 | M12A4-MS-PVC-0.5M | CC-Link (10Mbs) | A | 4 | Male / Female Straight | PVC Red 20AWG | Yes |
| TAA543B1411-001 | M12A4-FS-PVC-0.5M | | | | Male / Female R/A | | |
| TAA544B1411-001 | M12A4-FR-PVC-0.5M | | | | | | |
| TAA542B1411-001 | M12A4-MR-PVC-0.5M | | | | | | |


PRODUCT OFFERINGS - CC-LINK M12 A-CODE 4POS CABLE ASSEMBLIES DOUBLE ENDED

| Part Number | Part Description | Application | Code | POS | Type | Cable Material | Shielded |
|-----------------|----------------------|--------------------|------|-----|------------------|------------------|----------|
| TAA545B1411-001 | M12A4-MS-FS-PVC-0.5M | CC-Link (10Mbs) | A | 4 | MS-FS | PVC Red 20AWG | Yes |
| TAA54AB1411-001 | M12A4-MR-FS-PVC-0.5M | | | | MR-FS / MS-FR | | |
| TAA546B1411-001 | M12A4-MS-FR-PVC-0.5M | | | | | | |



PRODUCT OFFERINGS - DEVICENET M12 A-CODE 5POS CABLE ASSEMBLIES SINGLE ENDED PUR

| Part Number | Part Description | Application | Code | POS | Type | Cable Material | Shielded |
|-----------------|--------------------|-----------------------|------|-----|---------------------------|--------------------------------|----------|
| TAA751A5501-001 | M12A5-MS-PUR-0.5M | DeviceNet (500Kbs) | A | 5 | Male / Female Straight | PUR Violet 2x24AWG+2x22 AWG | Yes |
| TAA753A5501-001 | M12A5-FS-PUR-0.5Mv | | | | Male / Female R/A | | |
| TAA754A5501-001 | M12A5-FR-PUR-0.5M | | | | | | |
| TAA752A5501-001 | M12A5-MR-PUR-0.5M | | | | | | |


PRODUCT OFFERINGS - DEVICENET M12 A-CODE 5POS CABLE ASSEMBLIES DOUBLE ENDED PUR

| Part Number | Part Description | Application | Code | POS | Type | Cable Material | Shielded |
|-----------------|----------------------|-----------------------|------|-----|---|-----------------------------------|----------|
| TAA755A5501-001 | M12A5-MS-FS-PUR-0.5M | DeviceNet (500Kbs) | A | 5 | MS-FS | PUR Violet 2x24AWG+2x 22AWG | Yes |
| TAA75AA5501-001 | M12A5-MR-FS-PUR-0.5M | | | | MR-FS / MS-FR | | |
| TAA756A5501-001 | M12A5-MS-FR-PUR-0.5M | | | |  | | |




PRODUCT OFFERINGS - DEVICENET M12 A-CODE 5POS CABLE ASSEMBLIES SINGLE ENDED PVC

| Part Number | Part Description | Application | Code | POS | Type | Cable Material | Shielded |
|-----------------|-------------------|-----------------------|------|-----|---|---------------------------------|----------|
| TAA751A1611-001 | M12A5-MS-PVC-0.5M | DeviceNet (500Kbs) | A | 5 | Male / Female Straight | PVC Gray 2x24AWG+2x 22AWG | Yes |
| TAA753A1611-001 | M12A5-FS-PVC-0.5M | | | |  | | |
| TAA754A1611-001 | M12A5-FR-PVC-0.5M | | | | Male / Female R/A | | |
| TAA752A1611-001 | M12A5-MR-PVC-0.5M | | | |  | | |

PRODUCT OFFERINGS - DEVICENET M12 A-CODE 5POS CABLE ASSEMBLIES DOUBLE ENDED PVC

| Part Number | Part Description | Application | Code | POS | Type | Cable Material | Shielded |
|-----------------|----------------------|-----------------------|------|-----|---|---------------------------------|----------|
| TAA755A1611-001 | M12A5-MS-FS-PVC-0.5M | DeviceNet (500Kbs) | A | 5 | MS-FS | PVC Gray 2x24AWG+2x22 AWG | Yes |
| TAA75AA1611-001 | M12A5-MR-FS-PVC-0.5M | | | | MR-FS / MS-FR | | |
| TAA756A1611-001 | M12A5-MS-FR-PVC-0.5M | | | |  | | |




PRODUCT OFFERINGS - PROFIBUS M12 B-CODE 2-POS CABLE ASSEMBLIES SINGLE ENDED PUR TORSION

| Part Number | Part Description | Application | Code | POS | Type | Cable Material | Shielded |
|-----------------|------------------------|---------------------|------|-----|---|--------------------------|----------|
| TAB62146501-001 | M12B2-MS-PUR TORS-0.5M | Profibus DP (12Mbs) | B | 2 | Male / Female Straight | PUR Torsion 22AWG Violet | Yes |
| TAB62346501-001 | M12B2-FS-PUR TORS-0.5M | | | |  | | |
| TAB62446501-001 | M12B2-FR-PUR TORS-0.5M | | | | Male / Female R/A | | |
| TAB62246501-001 | M12B2-MR-PUR TORS-0.5M | | | |   | | |

PRODUCT OFFERINGS - PROFIBUS M12 B-CODE 2-POS CABLE ASSEMBLIES DOUBLE ENDED PUR TORSION

| Part Number | Part Description | Application | Code | POS | Type | Cable Material | Shielded |
|-----------------|------------------------|---------------------|------|-----|--|--------------------------|----------|
| TAB62546501-001 | M12B2-MS-FS-PUR/T-0.5M | Profibus DP (12Mbs) | B | 2 | MS-FS | PUR Torsion 22AWG Violet | Yes |
| TAB62A46501-001 | M12B2-MR-FS-PUR/T-0.5M | | | | MR-FS / MS-FR | | |
| TAB62646501-001 | M12B2-MS-FR-PUR/T-0.5M | | | |   | | |

PRODUCT OFFERINGS - PROFIBUS M12 B-CODE 2-POS CABLE ASSEMBLIES SINGLE ENDED PUR FLEX/DRAW CHAIN

| Part Number | Part Description | Application | Code | POS | Type | Cable Material | Shielded |
|-----------------|------------------------|---------------------|------|-----|---|----------------------------------|----------|
| TAB62135501-001 | M12B2-MS-PUR Flex-0.5M | Profibus DP (12Mbs) | B | 2 | Male / Female Straight | PUR Flex/Draw Chain 24AWG Violet | Yes |
| TAB62335501-001 | M12B2-FS-PUR Flex-0.5M | | | |  | | |
| TAB62435501-001 | M12B2-FR-PUR Flex-0.5M | | | | Male / Female R/A | | |
| TAB62235501-001 | M12B2-MR-PUR Flex-0.5M | | | |   | | |

PRODUCT OFFERINGS - PROFIBUS M12 B-CODE 2-POS CABLE ASSEMBLIES DOUBLE ENDED PUR FLEX/Drag CHAIN

| Part Number | Part Description | Application | Code | POS | Type | Cable Material | Shielded |
|-----------------|--------------------------|---------------------|------|-----|---------------|----------------------------------|----------|
| TAB62535501-001 | M12B2-MS-FS-PURFlex-0.5M | Profibus DP (12Mbs) | B | 2 | MS-FS | PUR Flex/Drag Chain 24AWG Violet | Yes |
| TAB62A35501-001 | M12B2-MR-FS-PURFlex0.5 | | | | MR-FS / MS-FR | | |
| TAB62635501-001 | M12B2-MS-FR-PURFlex-0.5M | | | | | | |

| OOL | Cable Length |
|------|--------------|
| -001 | 0.5M |
| -002 | 1.0M |
| -020 | 2.0M |
| -040 | 4.0M |
| -060 | 6.0M |
| -080 | 8.0M |
| -007 | 10.0M |
| -150 | 15.0M |

| -XXX | Customized Cable Length |
|------|-------------------------|
| -XX0 | XXM |
| -XX5 | XX.5M |



M12 INDUSTRIAL ETHERNET D-CODE CABLE ASSEMBLY CONNECTIVITY

TE Connectivity now offers M12 data cable assemblies with D-code interfaces that support Ethernet protocols as part of its package of Industrial Ethernet and Fieldbus solutions. This makes it the one-stop shop for M8/M12 cable assemblies for Industrial Network communications.

TE has enriched its already large offering in Fieldbus connectivity solutions (based on Profibus, DeviceNet, CanOpen and CC-link) with Industrial Ethernet protocols such as Profinet, EtherCAT, Ethernet/IP and SERCOS-III.

BENEFITS

- Ethernet is rapidly becoming the technology of choice for higher-level industrial control applications that call for real-time data.
- In order for Ethernet to be used in industrial environments, cables and connectors must be adapted to withstand harsh environmental conditions often found there.
- TE M12 Ethernet cable assemblies deliver the speed, reliability and ruggedness that smart factories demand.
- With the high cost of downtime in industrial applications, it pays to invest in cable assemblies that provide reliable high performance.
- TE's M12 cable assemblies will play an important role in bringing the Industrial Internet of Things to life.

APPLICATIONS

- Industrial Communications
- Process control systems
- Industrial Machinery
- Industrial Automation
- Machine tools
- Robotics
- Material Handling

FEATURES

- Jacketing is in halogen-free flame-retardant thermoplastic polyurethane (PUR) or other FRNC (flame retardant, non-corrosive) materials.
- PVC provides a competitive and economic solution for occasional movement or vibration, but PUR is more suited to more demanding applications in for example, drag chains and harsh environments where operational reliability is crucial.
- Depending on the material, the assemblies withstand up to 1 million flexes, machine oils, abrasion and UV radiation.
- Category 5e cables can realize transmission rates of 100Mbps to meet network requirements in the field and at supervisory management levels.
- The new assemblies are available with several standard cable length options from 0.5m through to 30m.

MATERIALS

- Contact: Brass, Gold Plating 30um
- Nut & Shells: Brass, Nickel plating
- O-ring: Silicon rubber
- Over-molding: PUR/PVC
- Housing: PA
- Cable Jacket materials: PUR,PVC, FRNC

ELECTRICAL

- M12 D code 4 poles:30V/1.5A

MECHANICAL

- Durability: 100 cycles (up to 1M for drag chain cable)
- Degree of protection: IP67
- Temperature Ratings:
 - Industrial Ethernet SERCOS III Type B PVC:
 - Operating temperature -40°C to +80°C (fixed)
 - 20°C to +60°C (flexible)
 - Industrial Ethernet Profinet Type B PVC:
 - Operating temperature -40°C to +80°C (fixed)
 - 20°C to +60°C (flexible)
 - Industrial Ethernet Profinet Type C PUR:
 - Operating temperature -30°C to +70°C (fixed)
 - 20°C to +60°C (flexible)
 - Industrial Ethernet Profinet Type B FRNC:
 - Operating temperature -25°C to +80°C (fixed)
 - 25°C to +80°C (flexible)

SPECIFICATIONS

- UL1863
- IEC 61076-2-101: Detail specification for M12 connectors with screw-locking (but True Position 0.1mm requirement for male side is not required)
- IEC 60512: Electromechanical Components For Electronic Equipment; Basic Testing Procedure and Measuring Methods
- IEC-60529: Degree of Protection Provided by Enclosures(IP Code)
- ISO/IEC 11801 category 5e



PRODUCT OFFERINGS - M12 ETHERNET D-CODE 4-POS CABLE ASSEMBLIES SINGLE ENDED TYPE C PUR

| Part Number | Part Description | Application | Code | POS | Type | Cable Material | Shielded |
|-----------------|--------------------------------|--|------|-----|---------------|---------------------------------|----------|
| TAD14145101-001 | M12D4-MS-PUR TYPE C GREEN-0.5M | Profinet, EtherCAT, Ethernet/IP (up to 100Mbps) | D | 4 | Male Straight | CAT5E TYPE C, PUR, 22AWG, GREEN | Yes |
| TAD14245101-001 | M12D4-MR-PUR TYPE C GREEN-0.5M | | | | Male R/A | | |




PRODUCT OFFERINGS - M12 ETHERNET D-CODE 4-POS CABLE ASSEMBLIES DOUBLE ENDED TYPE C PUR

| Part Number | Part Description | Application | Code | POS | Type | Cable Material | Shielded |
|-----------------|-----------------------------------|--|------|-----|-------|---------------------------------|----------|
| TAD14745101-001 | M12D4-MS-MS-PUR TYPE C GREEN-0.5M | Profinet, EtherCAT, Ethernet/IP (up to 100Mbps) | D | 4 | MS-MS | CAT5E TYPE C, PUR, 22AWG, GREEN | Yes |
| TAD14845101-001 | M12D4-MS-MR-PUR TYPE C GREEN-0.5M | | | | MS-MR | | |




PRODUCT OFFERINGS - M12 ETHERNET D-CODE 4-POS CABLE ASSEMBLIES SINGLE ENDED TYPE B FRNC

| Part Number | Part Description | Application | Code | POS | Type | Cable Material | Shielded |
|-----------------|---------------------------------|--|------|-----|---------------|----------------------------------|----------|
| TAD14147101-001 | M12D4-MS-FRNC TYPE B GREEN-0.5M | Profinet, EtherCAT, Ethernet/IP (up to 100Mbps) | D | 4 | Male Straight | CAT5E TYPE B, FRNC, 22AWG, GREEN | Yes |
| TAD14247101-001 | M12D4-MR-FRNC TYPE B GREEN-0.5M | | | | Male R/A | | |




PRODUCT OFFERINGS - M12 ETHERNET D-CODE 4-POS CABLE ASSEMBLIES DOUBLE ENDED TYPE B FRNC

| Part Number | Part Description | Application | Code | POS | Type | Cable Material | Shielded |
|-----------------|---------------------------------------|---|------|-----|---|---|----------|
| TAD14747101-001 | M12D4-MS-MS-FRNC TYPE B GREEN-0.5M | Profinet, EtherCAT, Ethernet/IP (up to 100Mbps) | D | 4 | MS-MS  | CAT5E TYPE B, FRNC, 22AWG, GREEN  | Yes |
| TAD14847101-001 | M12D4-MS-MR-FRNC TYPE B GREEN-0.5M | | | | MS-MR  | | |

PRODUCT OFFERINGS - M12 ETHERNET D-CODE 4-POS CABLE ASSEMBLIES SINGLE ENDED TYPE B PVC

| Part Number | Part Description | Application | Code | POS | Type | Cable Material | Shielded |
|-----------------|-----------------------------|---|------|-----|---|--|----------|
| TAD14141111-001 | M12D4-MS-PVC TYPE B-0.5M | Profinet, EtherCAT, Ethernet/IP (up to 100Mbps) | D | 4 | Male Straight  | CAT5E TYPE B, PVC, 22AWG, GREEN  | Yes |
| TAD14241111-001 | M12D4-MR-PVC TYPE B-0.5M | | | | Male R/A  | | |

PRODUCT OFFERINGS - M12 ETHERNET D-CODE 4-POS CABLE ASSEMBLIES DOUBLE ENDED TYPE B PVC

| Part Number | Part Description | Application | Code | POS | Type | Cable Material | Shielded |
|-----------------|--------------------------------|---|------|-----|---|--|----------|
| TAD14741111-001 | M12D4-MS-MS-PVC TYPE B-0.5M | Profinet, EtherCAT, Ethernet/IP (up to 100Mbps) | D | 4 | MS-MS  | CAT5E TYPE B, PVC, 22AWG, GREEN  | Yes |
| TAD14841111-001 | M12D4-MS-MR-PVC TYPE B-0.5M | | | | MS-MR  | | |

PRODUCT OFFERINGS - M12 ETHERNET D-CODE 4-POS CABLE ASSEMBLIES SINGLE ENDED TYPE B PVC

| Part Number | Part Description | Application | Code | POS | Type | Cable Material | Shielded |
|-----------------|---------------------------------|------------------------------|------|-----|---------------|----------------------------------|----------|
| TAD14141311-001 | M12D4-MS-PVC TYPE B RED-0.5M | SERCOS-III (up to 100Mbs) | D | 4 | Male Straight | CAT5E TYPE B, PVC, 22AWG, RED | Yes |
| TAD14241311-001 | M12D4-MR-PVC TYPE B RED-0.5M | | | | Male R/A | | |

PRODUCT OFFERINGS - M12 ETHERNET D-CODE 4-POS CABLE ASSEMBLIES DOUBLE ENDED TYPE B PVC

| Part Number | Part Description | Application | Code | POS | Type | Cable Material | Shielded |
|-----------------|------------------------------------|------------------------------|------|-----|-------|----------------------------------|----------|
| TAD14741311-001 | M12D4-MS-MS-PVC TYPE B RED-0.5M | SERCOS-III (up to 100Mbs) | D | 4 | MS-MS | CAT5E TYPE B, PVC, 22AWG, RED | Yes |
| TAD14841311-001 | M12D4-MS-MR-PVC TYPE B RED-0.5M | | | | MS-MR | | |

| 00L | Cable Length |
|------|--------------|
| -001 | 0.5M |
| -002 | 1.0M |
| -020 | 2.0M |
| -040 | 4.0M |
| -060 | 6.0M |
| -080 | 8.0M |
| -007 | 10.0M |
| -150 | 15.0M |
| -200 | 20.0M |
| -250 | 25.0M |
| -300 | 30.0M |

| -XXX | Customized Cable Length |
|------|-------------------------|
| -XX0 | XXM |
| -XX5 | XX.5M |

te.com

© 2019 TE Connectivity. All Rights Reserved.

TE, TE Connectivity, and TE Connectivity (logo) are trademarks. All other logos, products and/or company names referred to herein might be trademarks of their respective owners.

While TE has made every reasonable effort to ensure the accuracy of the information in this brochure, TE does not guarantee that it is error-free, nor does TE make any other representation, warranty or guarantee that the information is accurate, correct, reliable or current. TE reserves the right to make any adjustments to the information contained herein at any time without notice. TE expressly disclaims all implied warranties regarding the information contained herein, including, but not limited to, any implied warranties of merchantability or fitness for a particular purpose. The dimensions in this catalog are for reference purposes only and are subject to change without notice. Specifications are subject to change without notice. Consult TE for the latest dimensions and design specifications.

1-1773701-8 AK 09/20