

PLEASE CHECK WWW.MOLEX.COM FOR LATEST PART INFORMATION

Part Number: [2119662002](#)
Status: **Active**
Description: SlimSAS Receptacle, Right-Angle, 8x (74 Circuits), 85 Ohm, 0.75um Gold (Au) Plating, 2.20mm Shell Tab Length, Black

Documents:

[Drawing \(PDF\)](#) [RoHS Certificate of Compliance \(PDF\)](#)
[Product Specification 2119661000-000 \(PDF\)](#)

General

Product Family	I/O Connectors
Series	211966
Application	Wire-to-Board
Component Type	Receptacle
Product Name	SlimSAS
Type	N/A
UPC	193264238521

Physical

Circuits (Loaded)	74
Circuits (maximum)	74
Color - Resin	Black
Durability (mating cycles max)	250
Gender	Receptacle
Keying to Mating Part	None
Lock to Mating Part	Yes
Material - Metal	Copper Alloy
Material - Plating Mating	Gold
Material - Plating Termination	Matte Tin
Material - Resin	Liquid Crystal Polymer
Number of Rows	2
Orientation	Right Angle
PCB Locator	Yes
PCB Retention	Yes
Packaging Type	Embossed Tape on Reel
Panel Mount	No
Pitch - Mating Interface	0.60mm
Pitch - Termination Interface	0.60mm
Plating min - Mating	0.750µm
Polarized to Mating Part	Yes
Polarized to PCB	No
Ports	1
Termination Interface: Style	Surface Mount

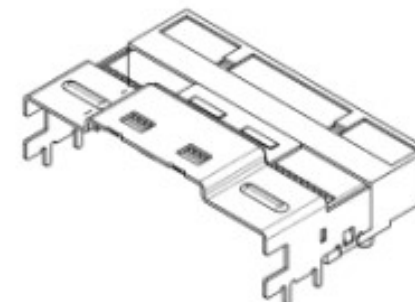
Electrical

Current - Maximum per Contact	0.5A
Voltage - Maximum	30V AC

Material Info

Reference - Drawing Numbers

Product Specification	2119661000-000
Sales Drawing	2119662001-000



Series image - Reference only

EU ELV

Not Relevant

EU RoHS

Compliant

REACH SVHC

Not Reviewed

Halogen-Free

Status

Not Reviewed

For more information, please visit [Contact US](#)

China ROHS

ELV

RoHS Phthalates

China RoHS

Green Image

Not Relevant

Not Contained

Search Parts in this Series

[211966 Series](#)