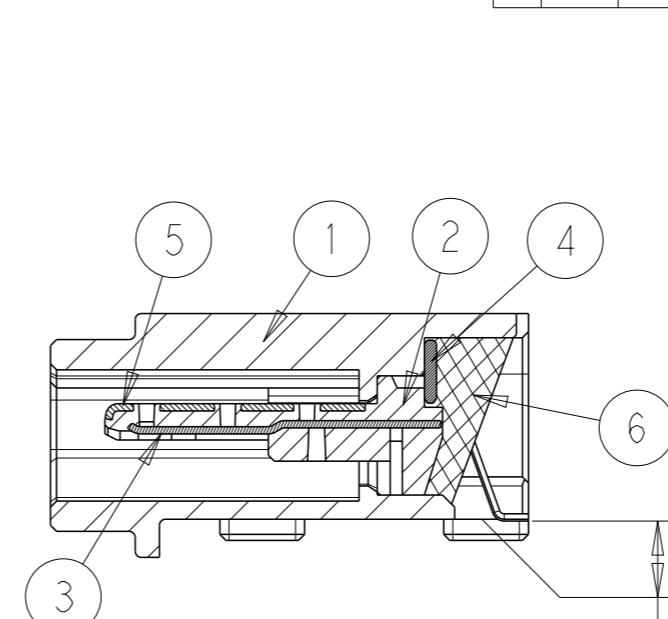
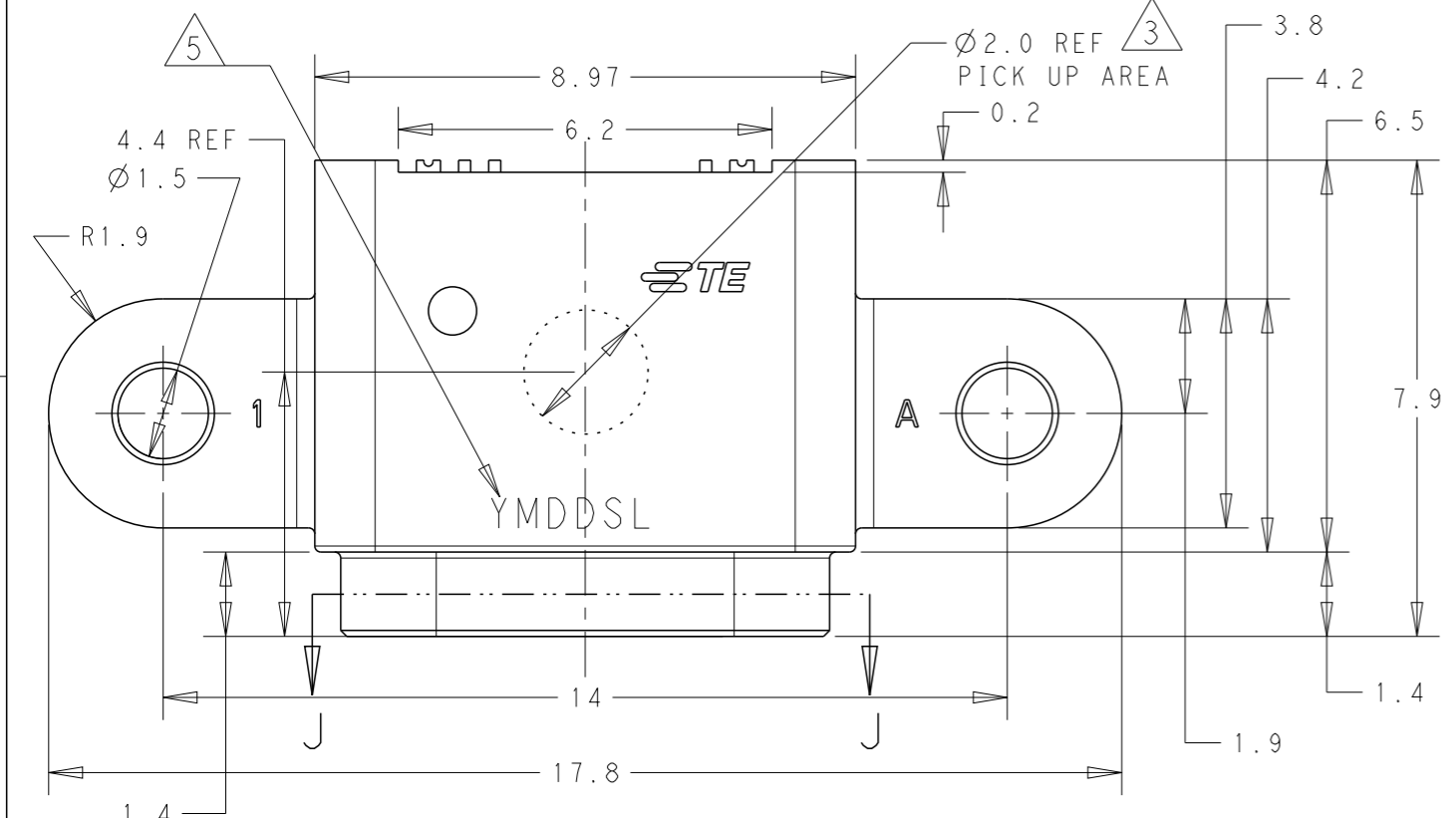
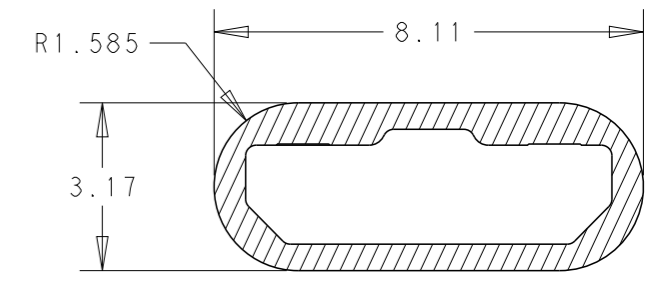
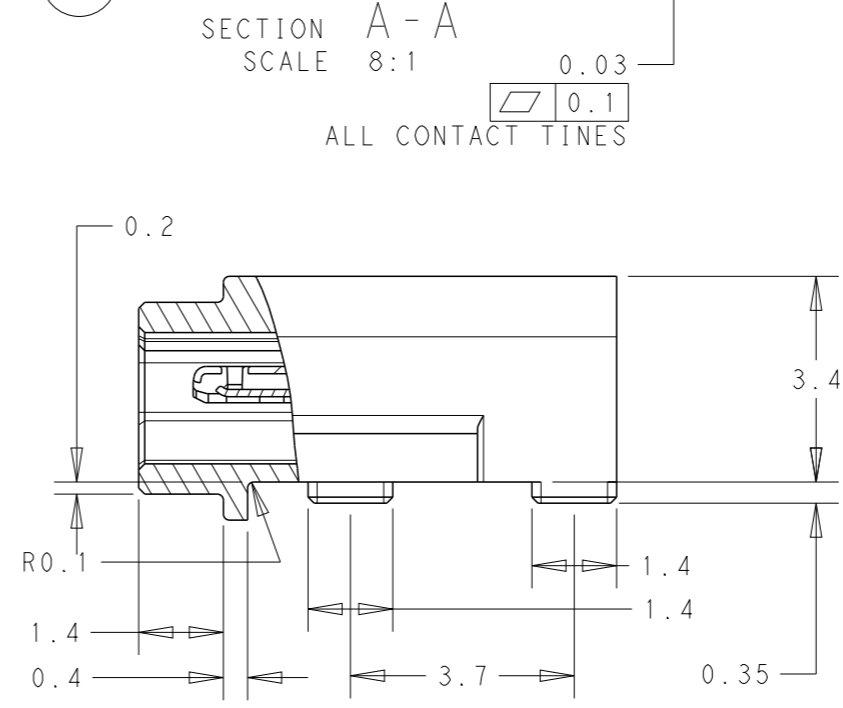
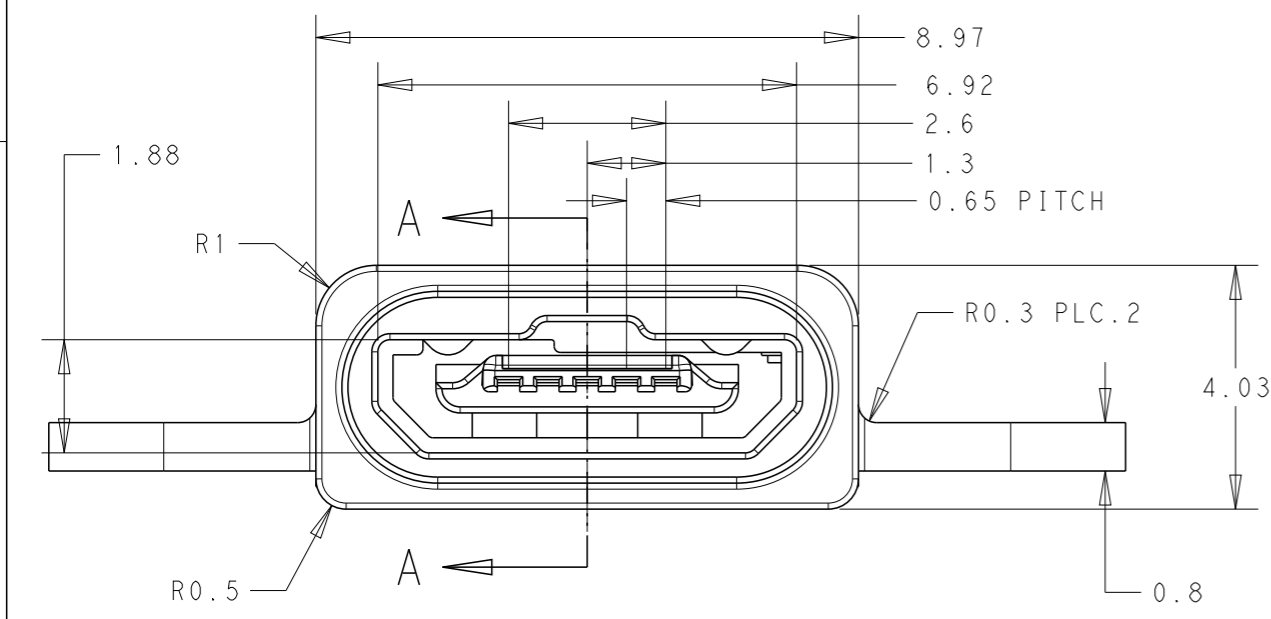


THIS DRAWING IS UNPUBLISHED. RELEASED FOR PUBLICATION 20
 © COPYRIGHT 20 BY - ALL RIGHTS RESERVED.

REVISIONS					
P	LTR	DESCRIPTION	DATE	DWN	APVD
I		RELEASED	15JUL2014	YJ.C	JH.K
A		REVISED	30SEP2014	YJ.C	JH.K
B		REVISED	25NOV2014	YJ.C	JH.K



- 1. MATERIAL : SEE TABLE
- 2. FINISH : SEE TABLE
- 3. PICKING AREA
- 4. COPLANARITY : 0.1mm MAX
- 5. DATE CODE : 6 DIGITS(YMDDSL)
: Y-YEAR, M-MONTH,
DD-DAY, S-SHIFT, L-LINE.
- 6. PACKING QUANTITY : 1,000 PCS/REEL



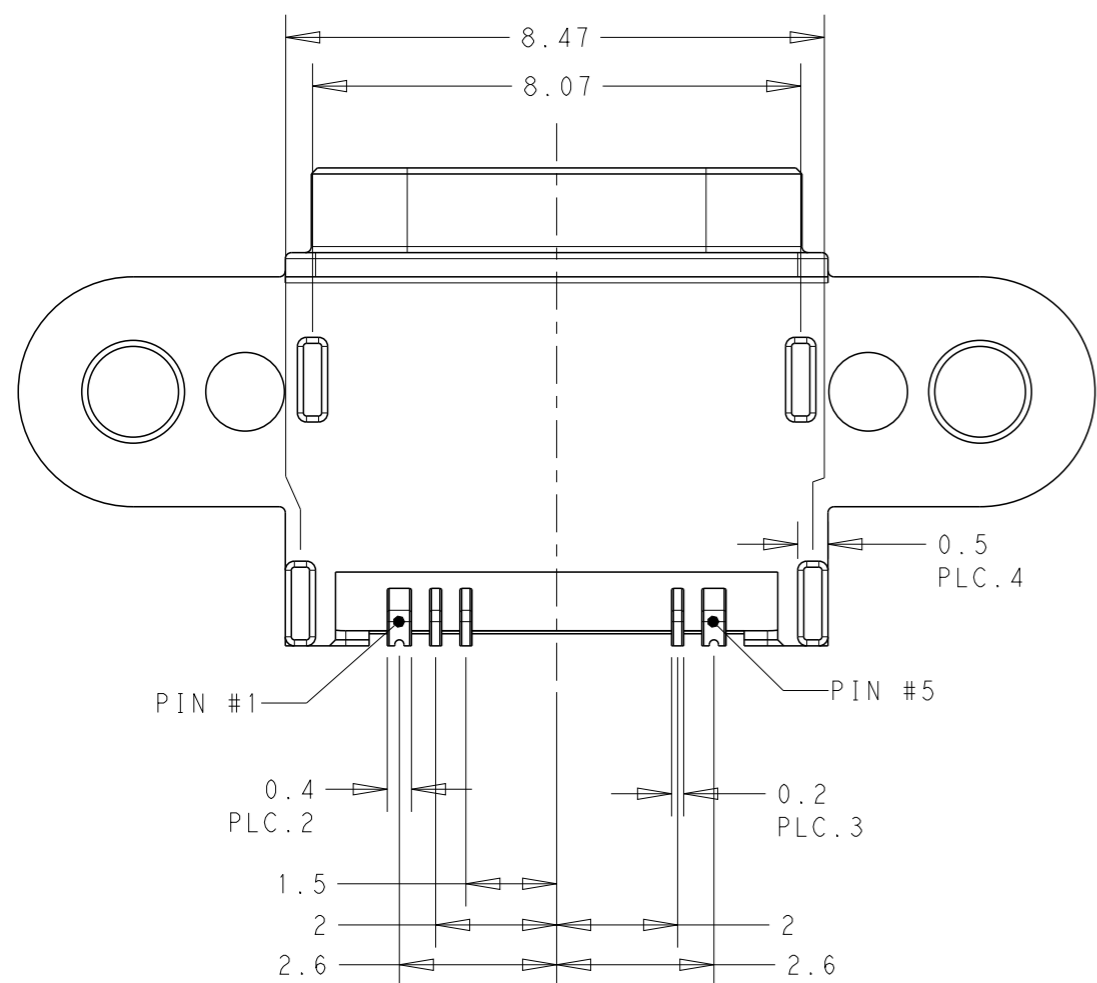
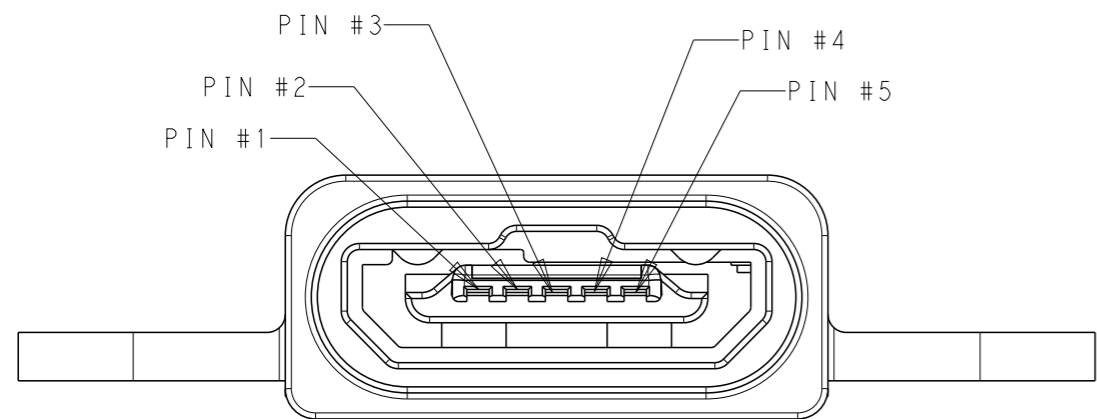
SHOWN AS : 2108877-1

6	POTTING	SILICONE	BLACK
5	REINFORCEMENT	STAINLESS STEEL	DEGREASING
4	HOLD PLATE	STAINLESS STEEL	DEGRESS
3	USB-CONTACT	COPPER ALLOY	Ni 1.0um~5.0um ALL OVER Au 0.05um MIN. + Ni-Pd 0.75um MIN. AT CONTACT AREA Au 0.05um MIN. AT SOLDERING AREA
2	INSERT-MOLD	THERMO PLASTIC	BLACK
1	MIM SHELL	STAINLESS STEEL	Ni 0.2um~5.0um ALL OVER
NO	DESCRIPTION	1 MATERIAL	2 FINISH

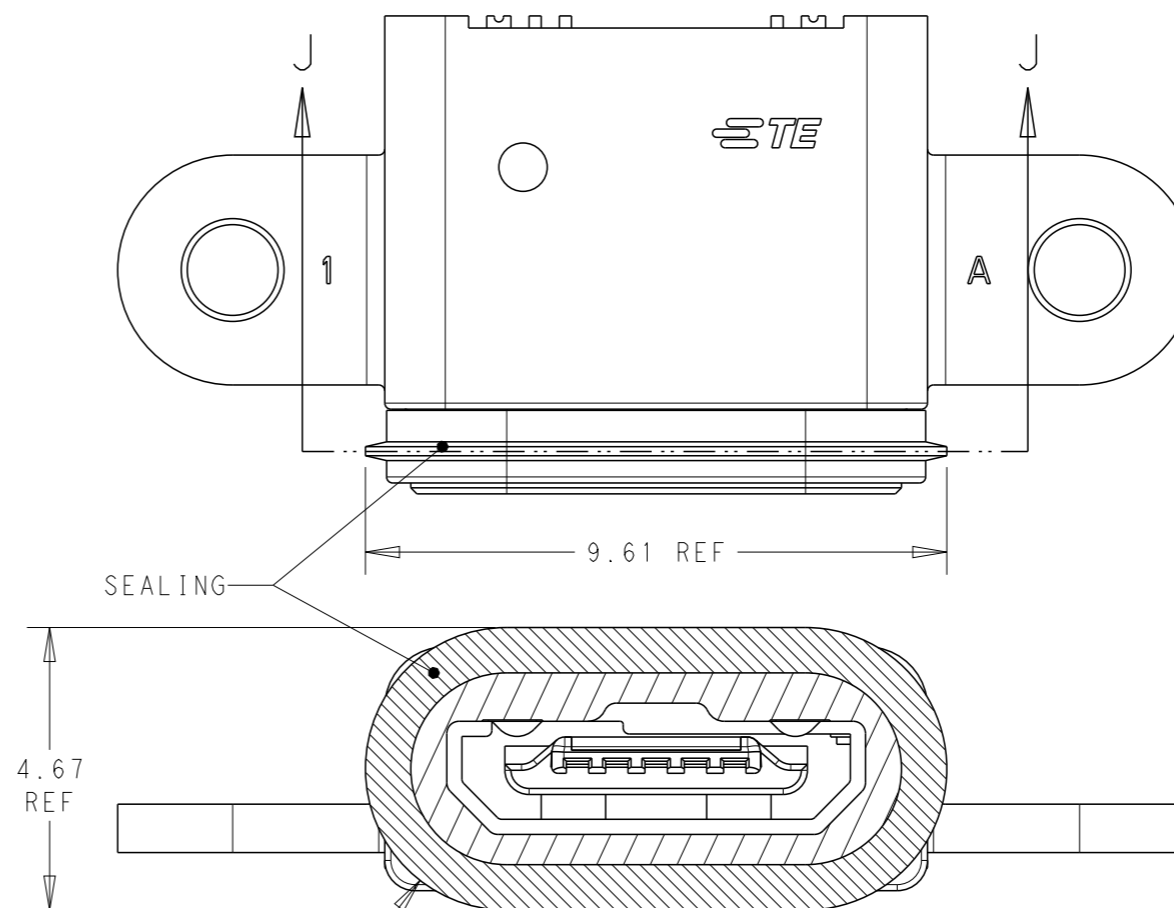
DIMENSIONS:		TOLERANCES UNLESS OTHERWISE SPECIFIED:	
mm		±0.2	
		Ø PLC	±
		1 PLC	±
		2 PLC	±
		3 PLC	±
		4 PLC	±
		ANGLES	±5°
MATERIAL		FINISH	
1		2	

THIS DRAWING IS A CONTROLLED DOCUMENT.		DWN	YJ.C	15JUL2014	 TE Connectivity	
		CHK	HJ.L	15JUL2014		
		APVD	JH.K	15JUL2014		
		PRODUCT SPEC	108-61223			
		APPLICATION SPEC	114-XXXXX		NAME	Micro USB RECEPTACLE 5POSITION STANDARD ON BOARD WATER PROOF
		WEIGHT	-		SIZE	A3
		CUSTOMER DRAWING			CAGE CODE	00779
					DRAWING NO	C-2108877
					RESTRICTED TO	-
					SCALE	8:1
					SHEET	1 OF 4
					REV	B

P	LTR	DESCRIPTION	DATE	DWN	APVD




AFTER ASSEMBLY SEALING

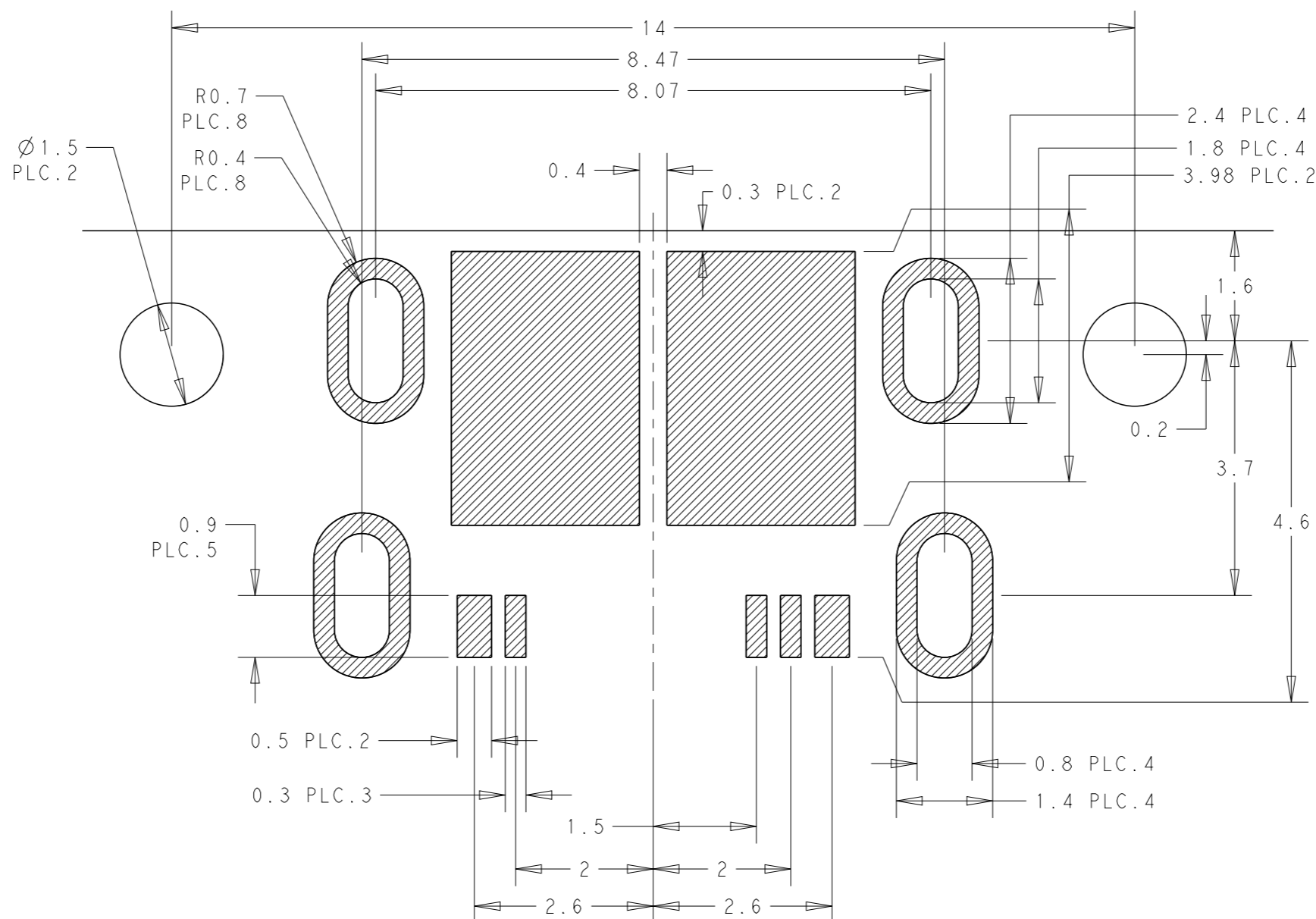


REFERENCE PIN ASSIGNMENT




5	micro USB PIN 5	GND
4	micro USB PIN 4	ID
3	micro USB PIN 3	D+
2	micro USB PIN 2	D-
1	micro USB PIN 1	VBUS
PIN #	CONTACT NO.	SIGNAL NAME (ASSIGNMENT)

THIS DRAWING IS A CONTROLLED DOCUMENT.		DWN YJ.C 15JUL2014	 TE Connectivity	NAME		
DIMENSIONS: mm		CHK HJ.L 15JUL2014		Micro USB RECEPTACLE		
TOLERANCES UNLESS OTHERWISE SPECIFIED: ±0.2		APVD JH.K 15JUL2014		5POSITION STANDARD ON BOARD		
0 PLC ± 1 PLC ± 2 PLC ± 3 PLC ± 4 PLC ± ANGLES ±5° FINISH		PRODUCT SPEC 108-61223		WATER PROOF		
MATERIAL 1	FINISH 2	APPLICATION SPEC 114-XXXXX	SIZE A3	CAGE CODE 00779	DRAWING NO C-2108877	RESTRICTED TO -
CUSTOMER DRAWING			SCALE 8:1	SHEET 2 OF 4	REV B	

P	LTR	DESCRIPTION	DATE	DWN	APVD



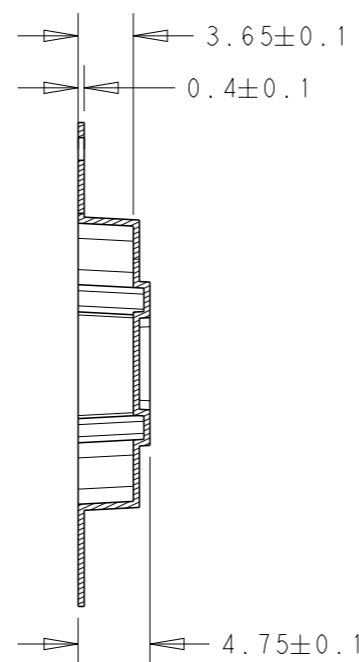
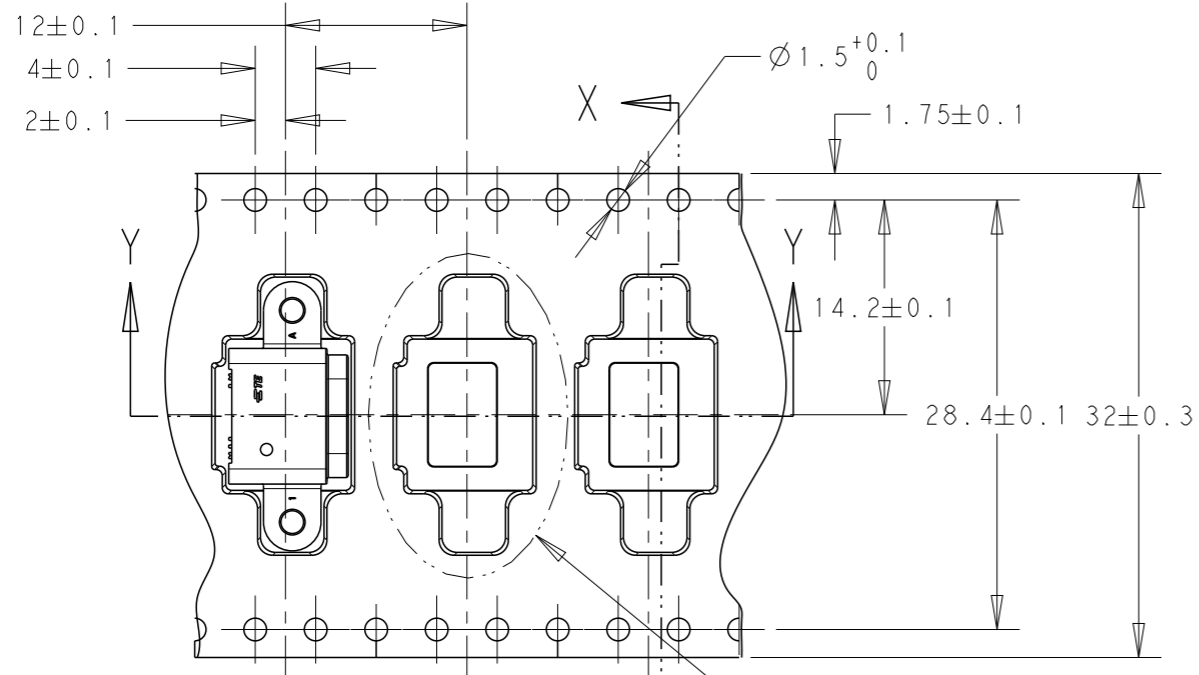
RECOMMENDED PCB LAYOUT
TOP VIEW
(GENERAL TOLERANCE : ±0.05)

THIS DRAWING IS A CONTROLLED DOCUMENT.		DWN YJ.C	15JUL2014	 TE Connectivity	
DIMENSIONS: mm		CHK HJ.L	15JUL2014		
		APVD JH.K	15JUL2014		
		PRODUCT SPEC 108-61223	NAME Micro USB RECEPTACLE 5POSITION STANDARD ON BOARD WATER PROOF		
MATERIAL 1		FINISH 2		APPLICATION SPEC 114-XXXXX	RESTRICTED TO -
		WEIGHT -		SIZE A3	CAGE CODE 00779
		CUSTOMER DRAWING		DRAWING NO C-2108877	
				SCALE 8:1	SHEET 3 OF 4
					REV B

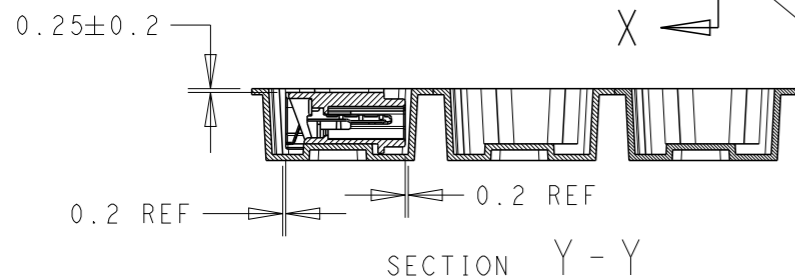
REVISIONS

P	LTR	DESCRIPTION	DATE	DWN	APVD
		SEE SHEET 1			

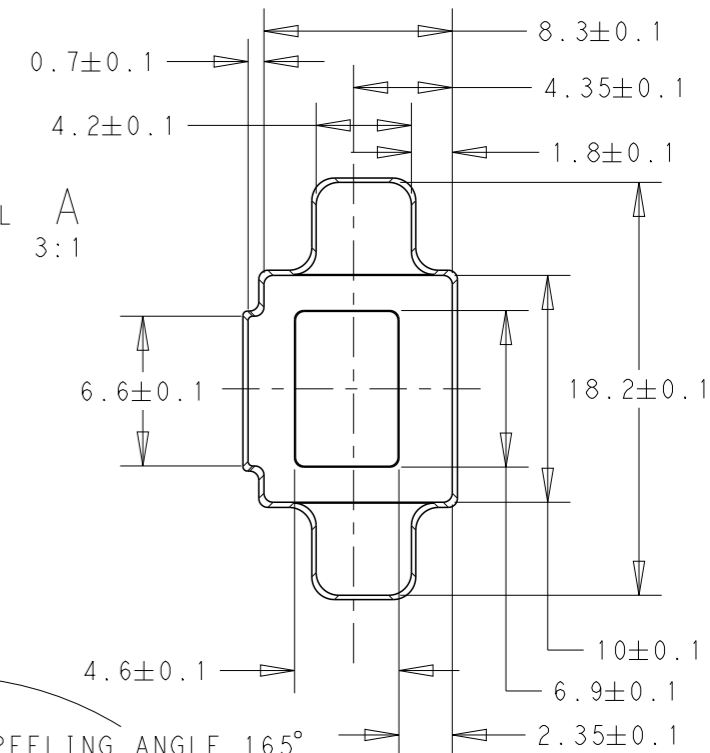
PRODUCT USER DIRECTION OF UNREELING →



- 1 MATERIAL ANTI STATIC MATERIAL SHOULD BE USED. PS(NATURAL) REEL SHOULD BE APPLIED.
- 2 MATERIAL/COMPONENTS WHICH CONTAIN PROHIBITION SUBSTANCES WHICH ARE DESCRIBED IN THE TABLE 1 OF 4.2, ENVIRONMENT RELATED SUBSTANCE CONTROL STANDARD ON 14-2.5.0.6, MUST NOT BE USED IN PRODUCT NOR MANUFACTURING PROCESS.
- 3 CADMIUM CONTENT: 5ppm UNDER. (ONLY PLASTIC/RUBBER) : QIP INSPECTION ITEM. (ONLY PLASTIC/RUBBER)
- 4 NO SCRATCH AND STAIN ON SHELL
5. COVER TAPE IS THERMO-COMPRESSION SEALING(BONDING)
6. ESD OF REEL COVER TAPE IS 100V MAX
7. SURFACE RESISTANCE OF REEL COVER TAPE IS 1X10⁵ ~ 1X10¹² ohm



DETAIL A SCALE 3:1



PEELING ANGLE 165°
: 165°~180°
PEELING STRENGTH
: 0.1~0.7N(300mm/MIN)

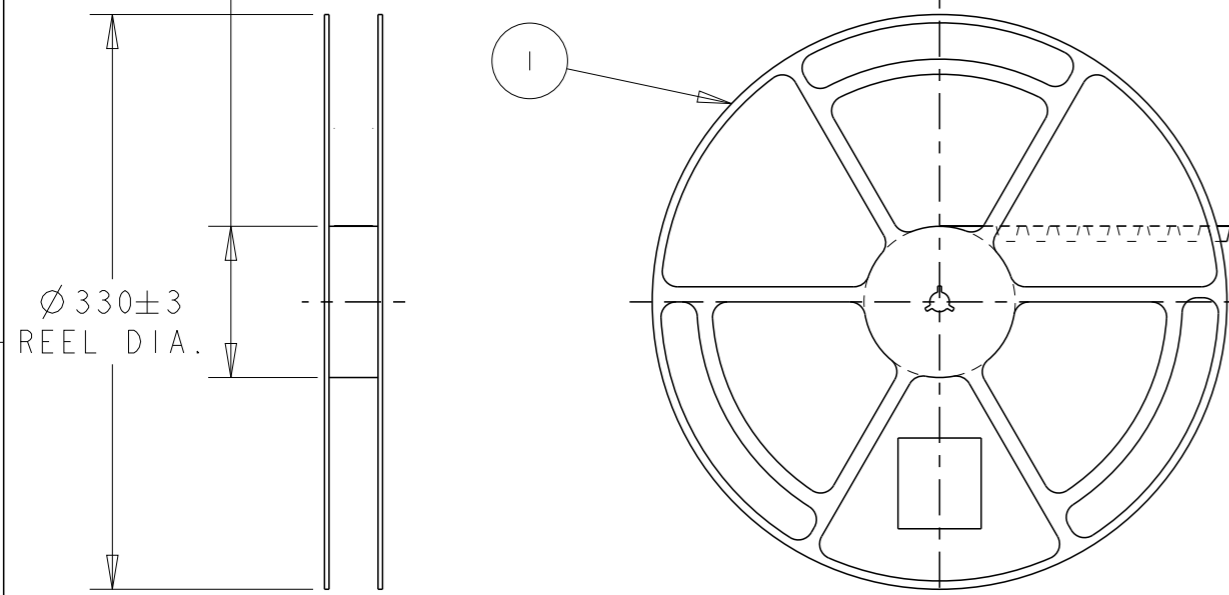
300 REF WEEDING THE COVER TAPE

Ø100±3 FRANGE CORE DIA

Ø330±3 REEL DIA.

400mm REF WITHOUT CHARGE (COVER TAPE 650mm)

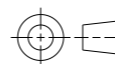
1000 POCKET/1REEL WITH PRODUCT CHARGE 400mm REF WITHOUT CHARGE (COVER TAPE 650mm)



UNREELING DIRECTION →

THIS DRAWING IS A CONTROLLED DOCUMENT.

DIMENSIONS: mm



TOLERANCES UNLESS OTHERWISE SPECIFIED: ±0.2

- Ø PLC ±
- 1 PLC ±
- 2 PLC ±
- 3 PLC ±
- 4 PLC ±
- ANGLES ±5°
- FINISH

MATERIAL 1

2

DWN Y.J.C 15JUL2014

CHK H.J.L 15JUL2014

APVD J.H.K 15JUL2014

PRODUCT SPEC 108-61223

APPLICATION SPEC 114-XXXXX

WEIGHT -

CUSTOMER DRAWING

NAME Micro USB RECEPTACLE
5POSITION STANDARD ON BOARD
WATER PROOF

SIZE CAGE CODE DRAWING NO RESTRICTED TO

A300779 C-2108877

SCALE 8:1 SHEET 4 OF 4 REV B



Mouser Electronics

Authorized Distributor

Click to View Pricing, Inventory, Delivery & Lifecycle Information:

[TE Connectivity:](#)

[2108877-1](#)