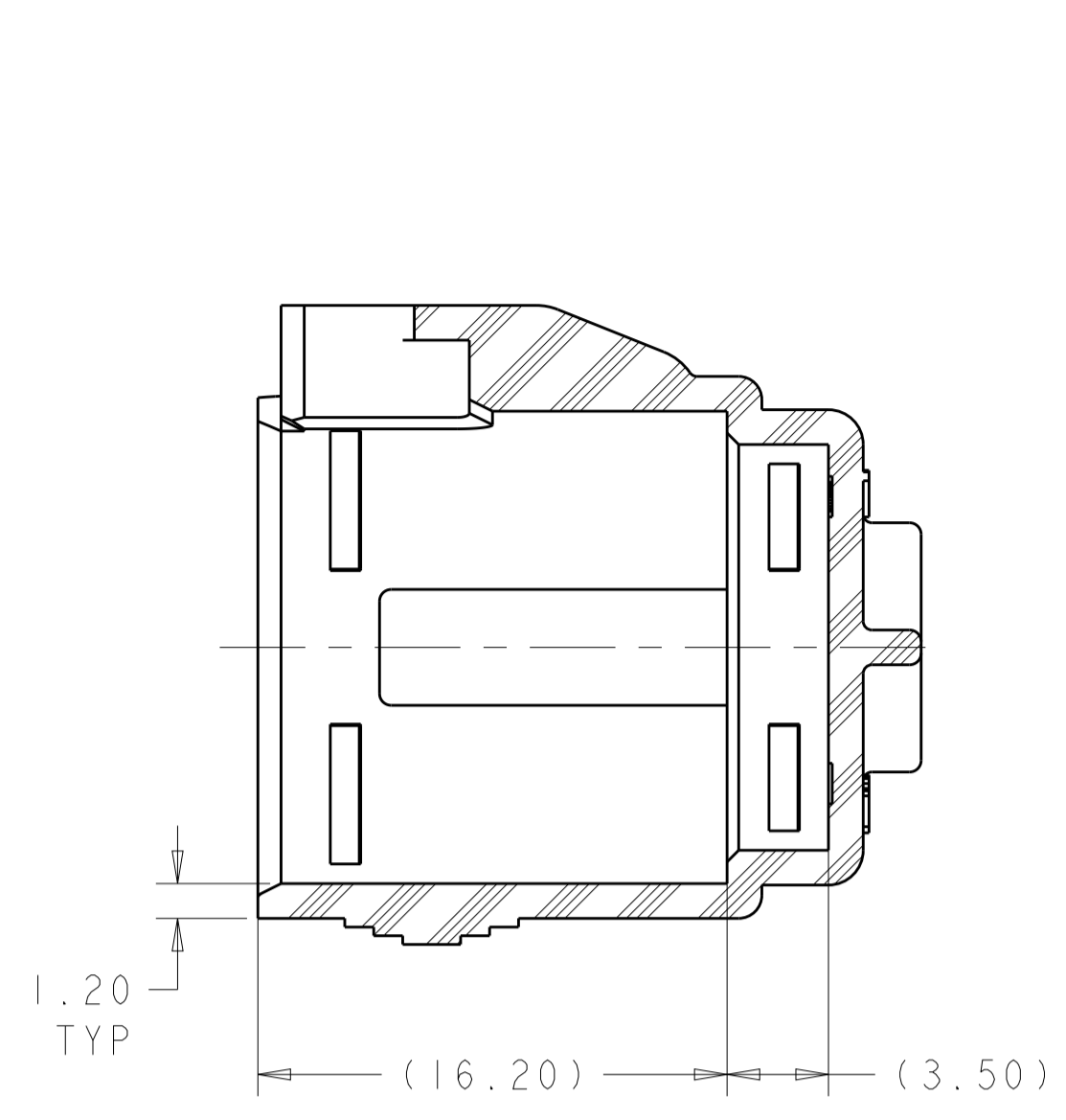
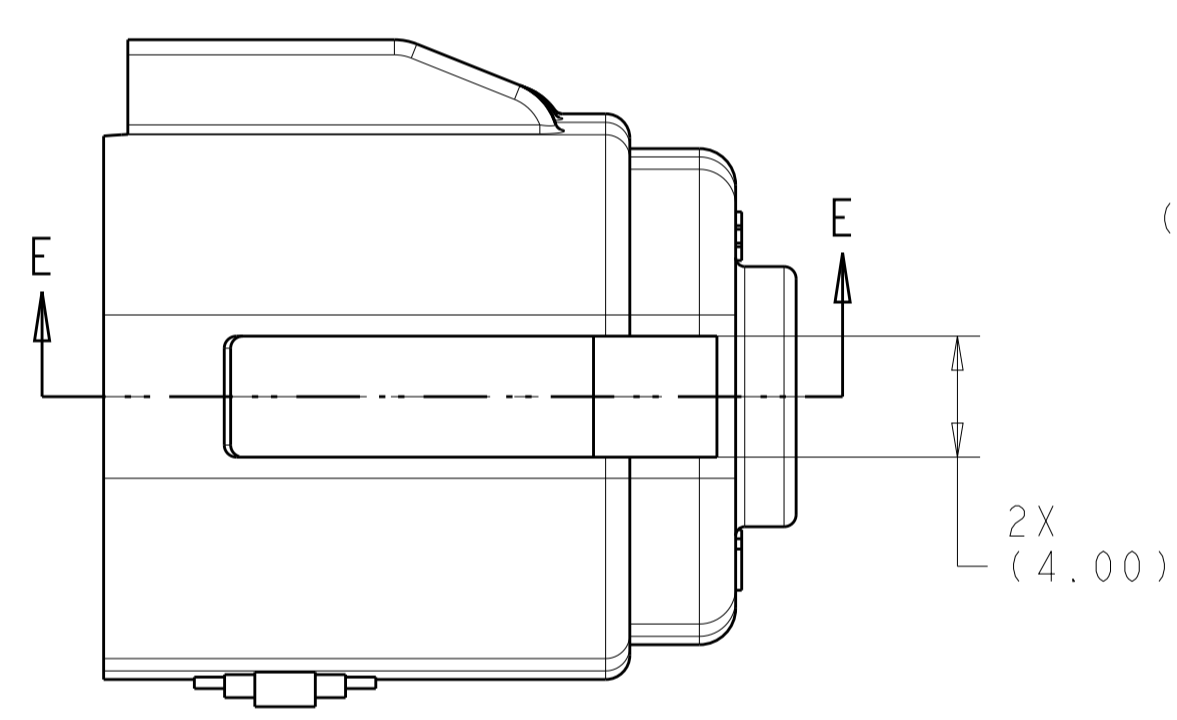
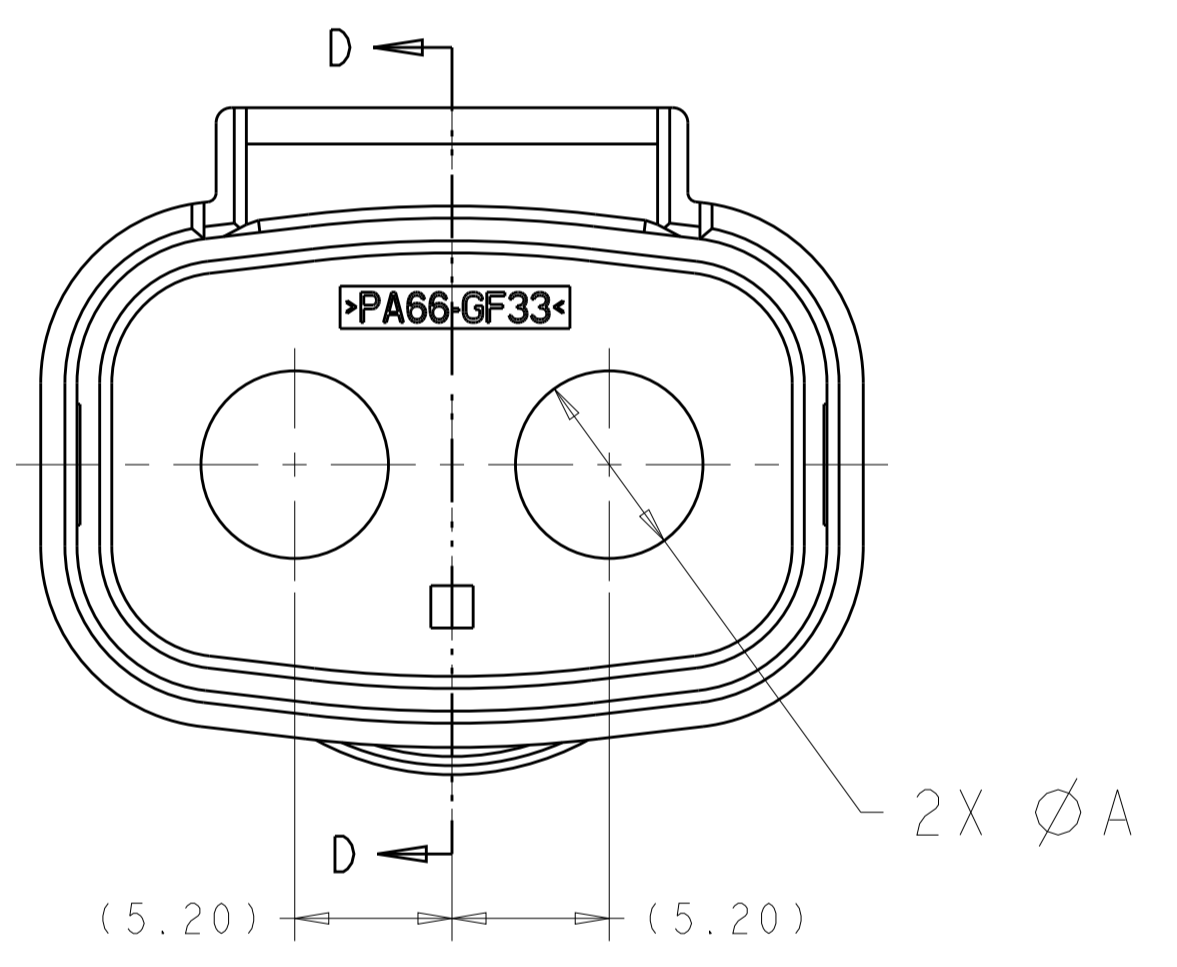
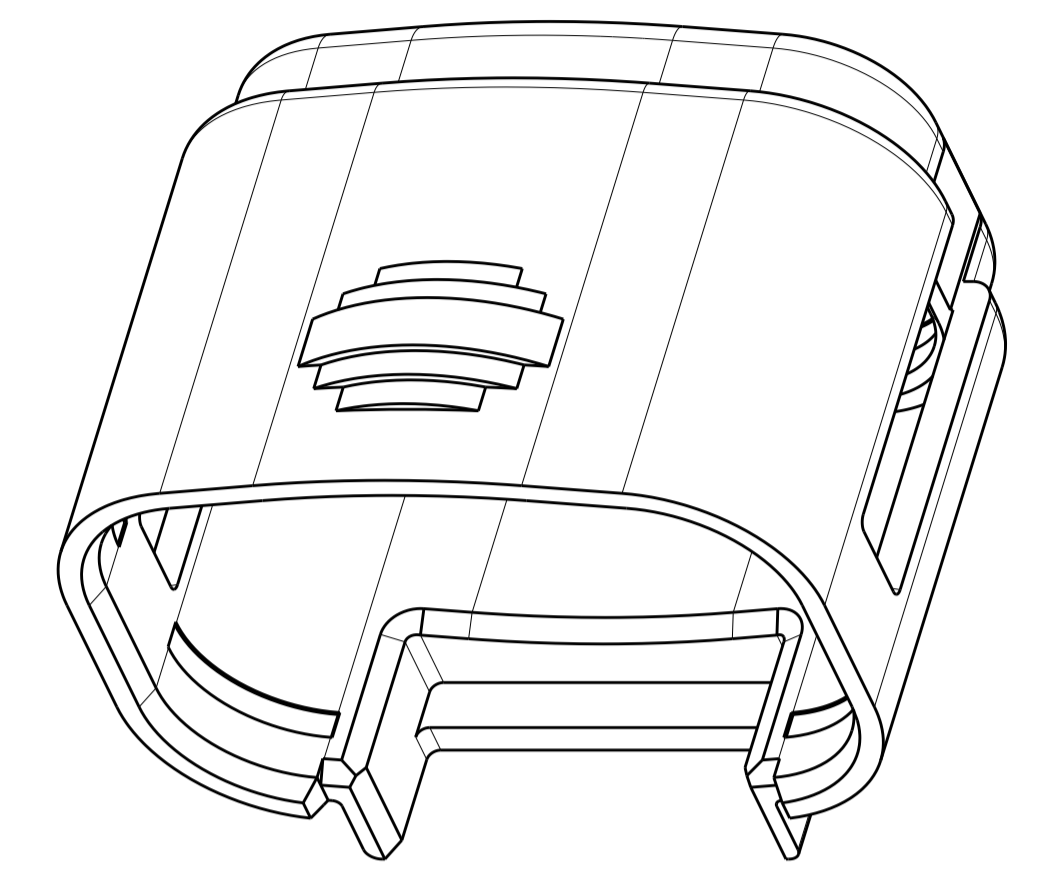
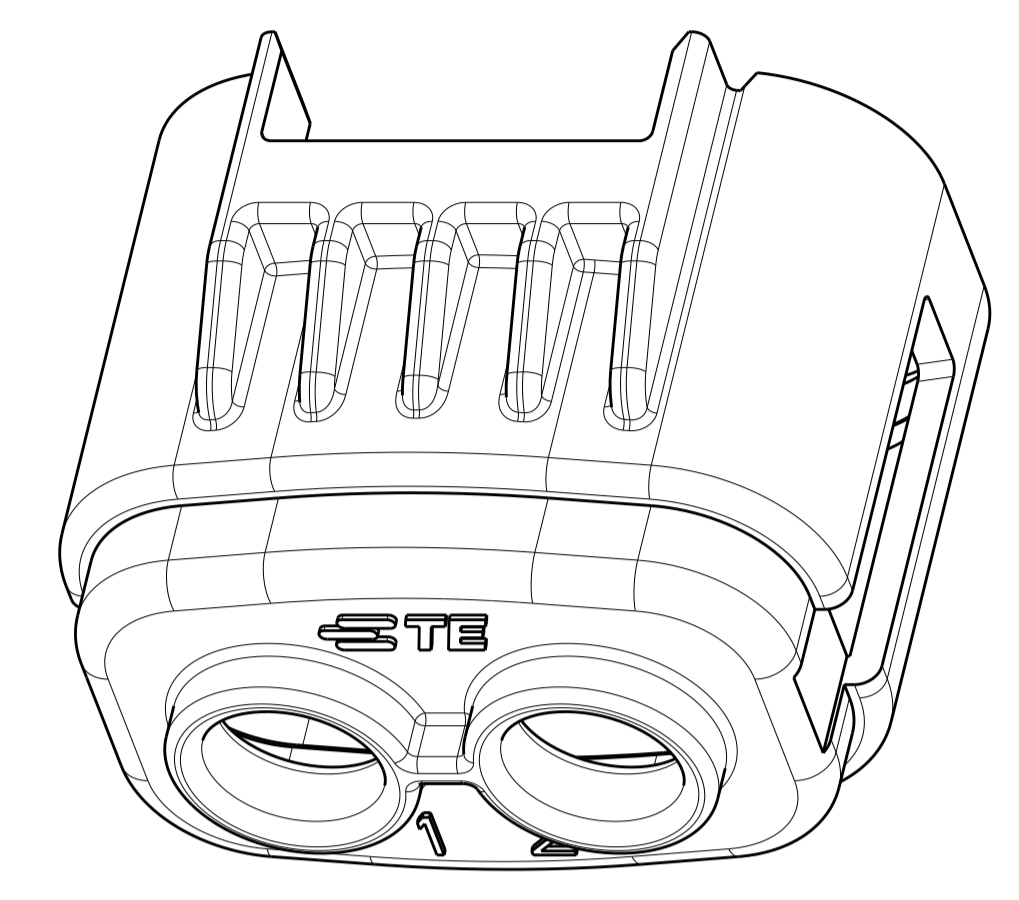
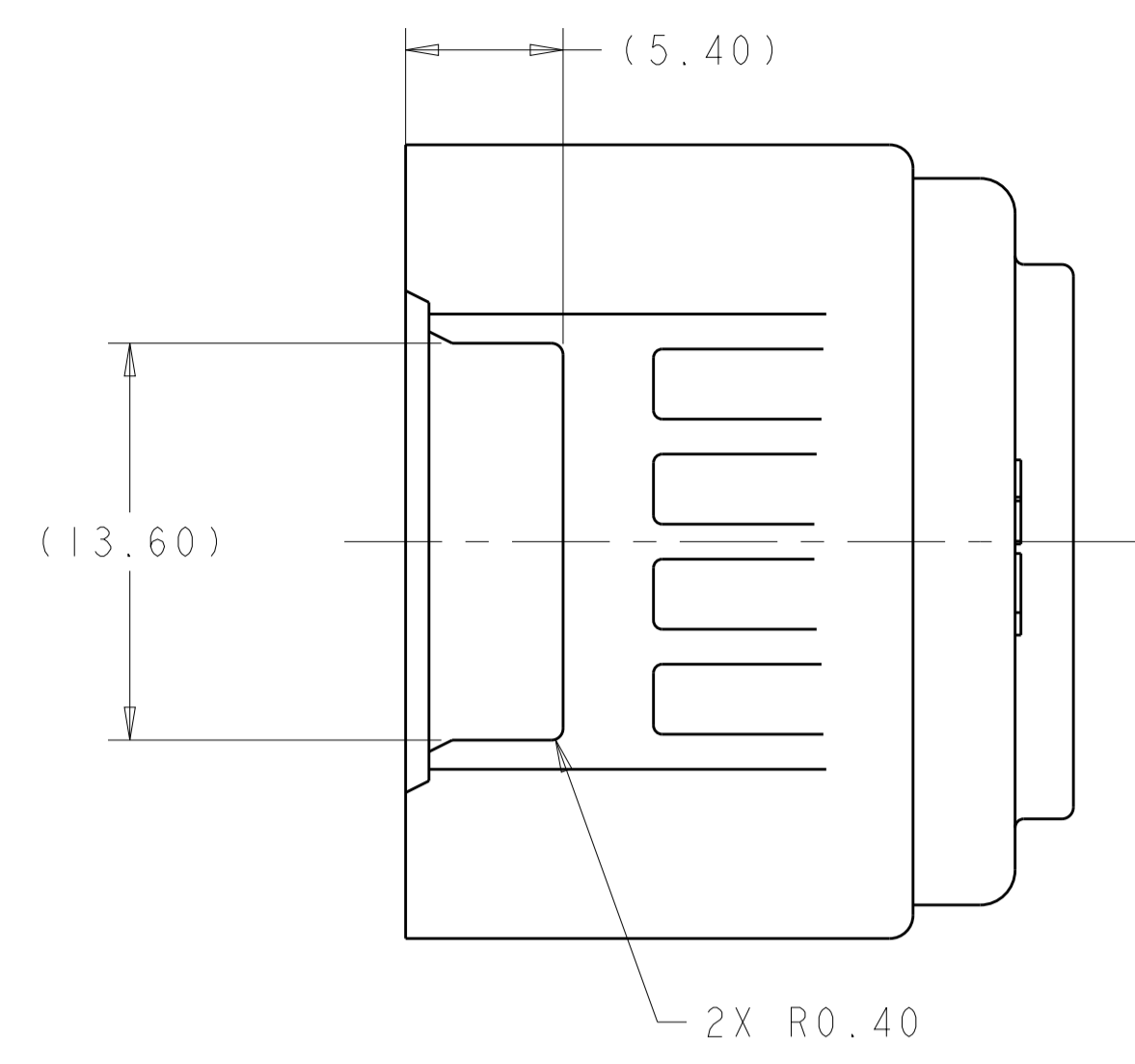


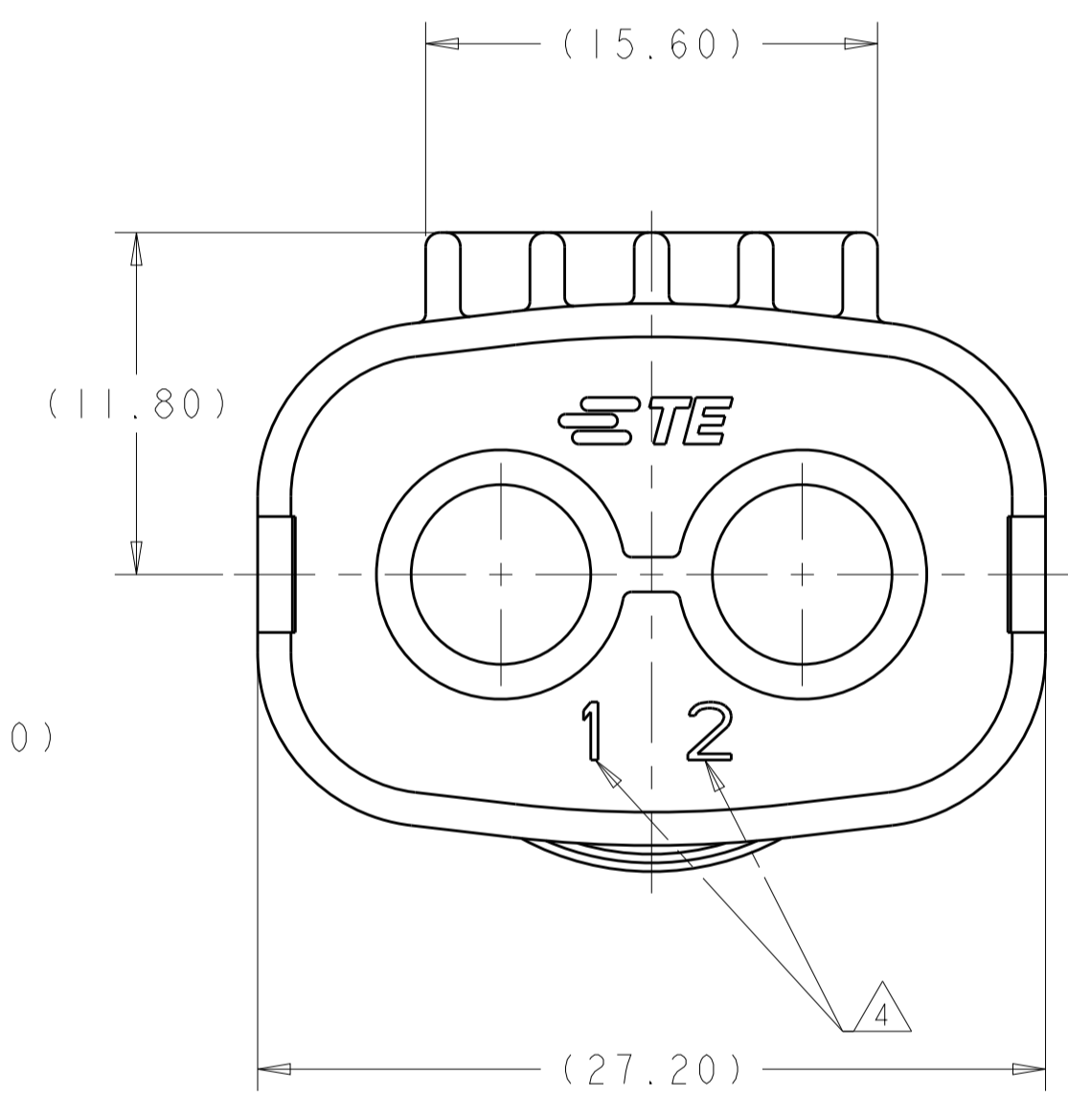
REVISIONS				
P.	LTM	DESCRIPTION	DATE	OWN APVD
I		INITIAL DRAWING	09MAY2014	VA AT
A		ECO-14-018972	29DEC2014	DS AT
B		ECO-15-012146	08SEP2015	DS AT
B1		ECO-16-001346	29JAN2016	YS AT



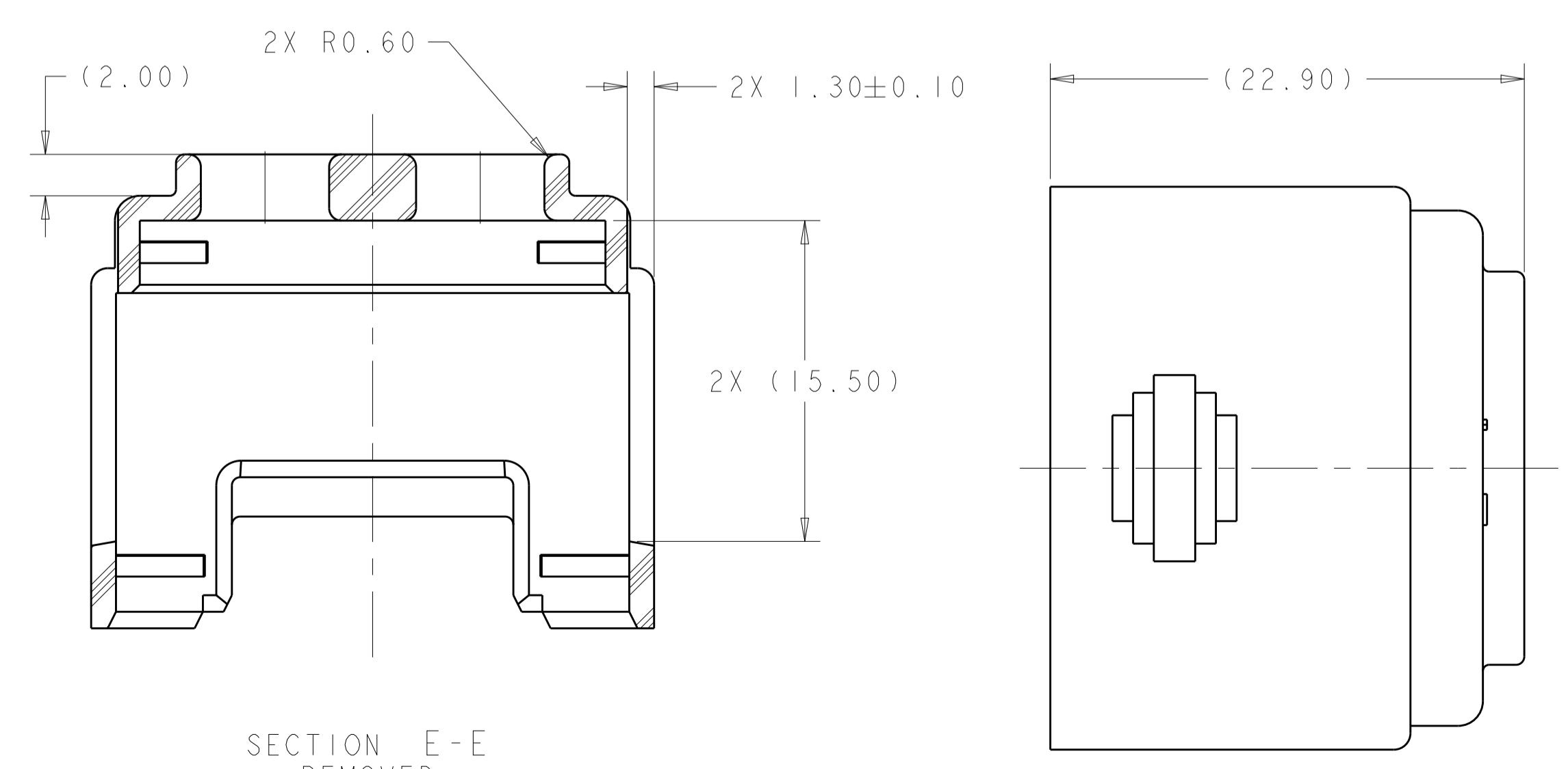
SECTION D-D
REMOVED



SECTION E-E
REMOVED
ROTATED CCW 90°



- △ MATERIAL :
TYPE : PA66 33%GF
COLOR : SEE TABLE
- 2. FEATURES DENOTED BY REFERENCE DIMENSIONS MUST BE INSPECTED FOR PRESENCE
- 3. PART MUST BE FREE OF EXCESSIVE FLASH, MIS-MATCH, SINK MARKS, OR OTHER VISUAL IMPERFECTIONS THAT MAY AFFECT PRODUCT FIT FORM OR FUNCTION
- △4 CIRCUIT ID
- △5 THIS PRODUCT HAS NOT COMPLETED VALIDATION TESTING



COLOR	MIN	MAX	A	DESCRIPTION	PART NO
DK GRAY	5.48	6.10	6.20	SPACER SEAL RETAINER, SIZE C	2103736-3
ORANGE	4.76	5.48	5.60	SPACER SEAL RETAINER, SIZE B	2103736-2
BLACK	4.11	4.76	4.90	SPACER SEAL RETAINER, SIZE A	2103736-1

THIS DRAWING IS A CONTROLLED DOCUMENT.

DIMENSIONS:	TOLERANCES UNLESS OTHERWISE SPECIFIED:	OWN: VISHWA_A 09APR2014	CHK: D. SIMPSON 09MAY2014	APVD: A. TYLER 09MAY2014	NAME: RETAINER, SPACER SEAL, HVA280-2PHI SE
mm	0 PLC ±0.2 1 PLC ±0.10 2 PLC ±0.13 3 PLC ±0.001 ANGLES ±0.001	FINISH	WEIGHT	SIZE: A1	CAGE CODE: C=2103736
MATERIAL	FINISH	WEIGHT	SCALE: 4:1	SHEET: 1 OF 1	REV: B1

STE TE Connectivity