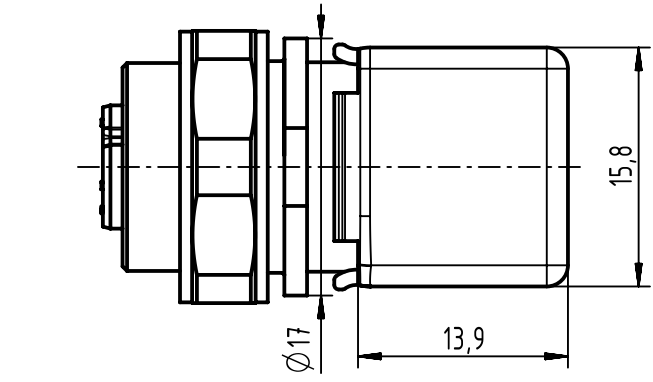


1 recommended PCB-thickness: 1.6mm



	All rights reserved Department EL PD HARTING Electronics GmbH D-32339 Espelkamp	All Dimensions in mm Original Size DIN A4	Scale 2:1	Free size tol.	Ref. Sub.
		Created by DYCKC	Inspected by HARLASS	Standardisation HOFFMANN	Date 2018-11-23
Title HARTING M12 PFT D-coded IP20				Doc-Key / ECM-Nr. 100219128/UGD/003/J 500000143475	
Type TB		Number 21033814410		Rev. J	Page 1/1