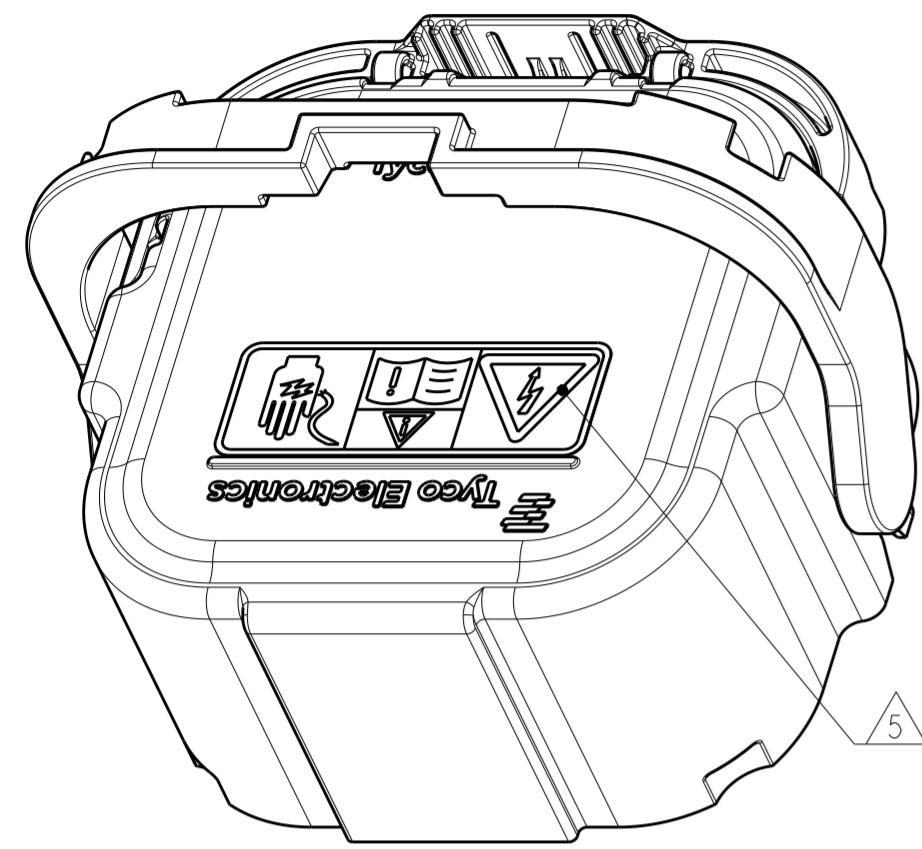


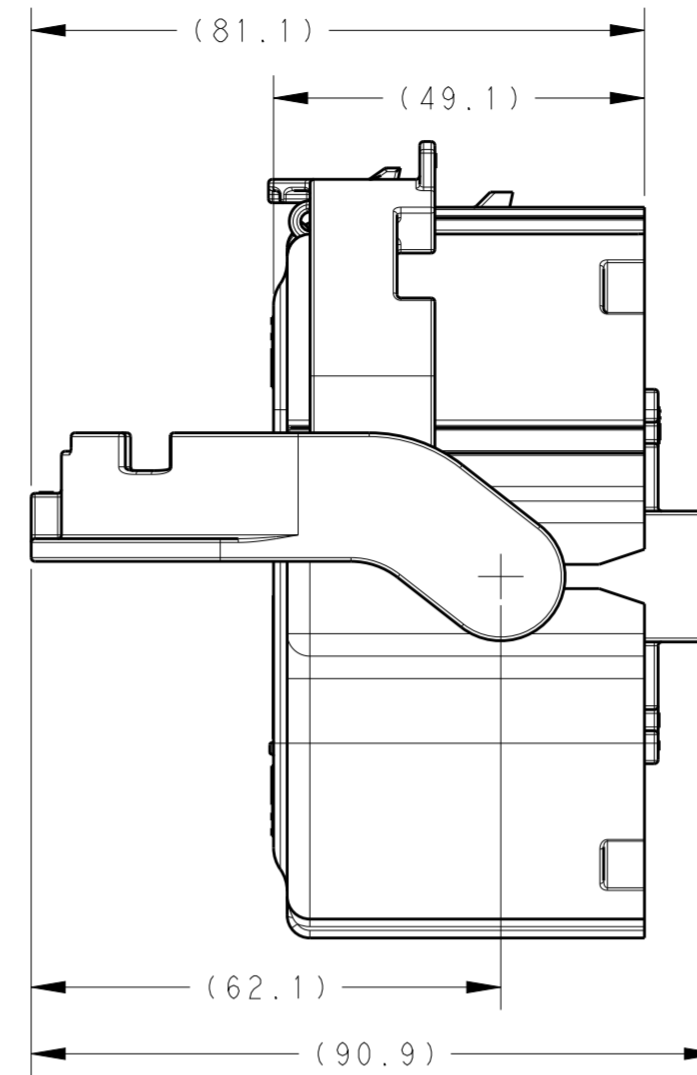
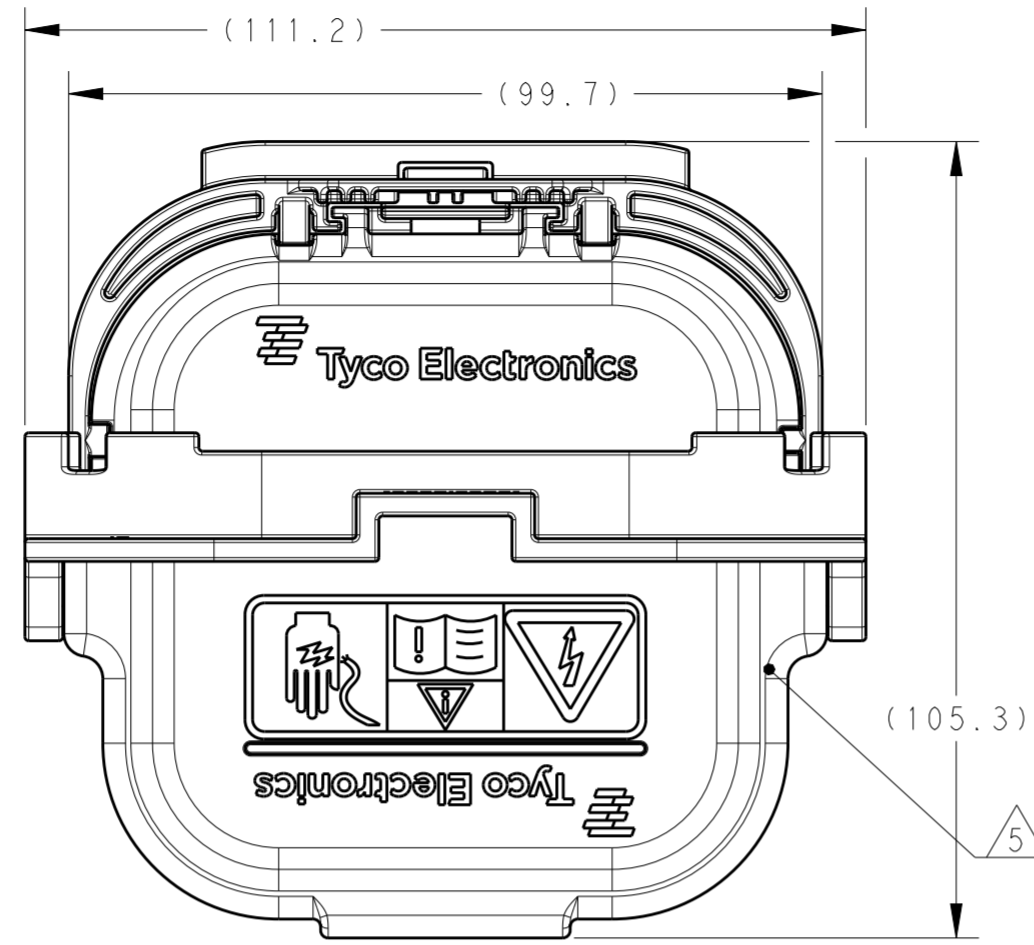
THIS DRAWING IS UNPUBLISHED. RELEASED FOR PUBLICATION 20  
 © COPYRIGHT 20 BY TYCO ELECTRONICS CORPORATION ALL RIGHTS RESERVED.

LOC	DIST	REVISIONS			
P	LTR	DESCRIPTION	DATE	DWN	APVD
	B2	ECO-12-019524	07NOV2012	YS	AB
	C	REVISED PER ECO-12-020416	20NOV2012	DD	YS
	D	REVISED PER ECO-13-011781	22JUL2013	DD	JS

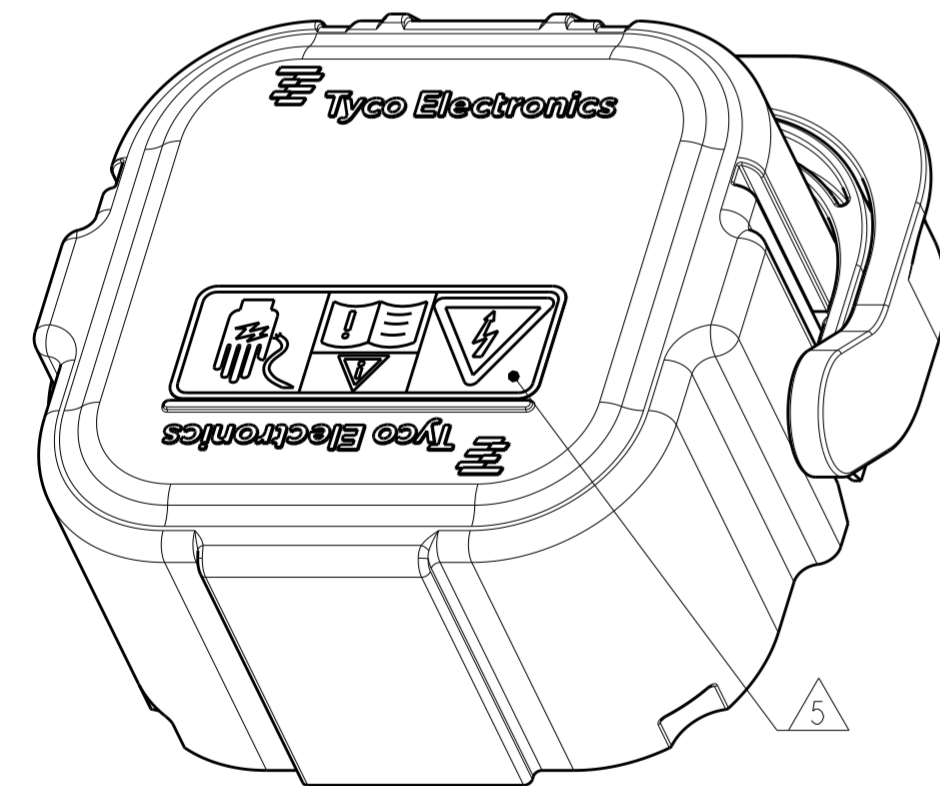
### LEVER IN PRE-STAGE POSITION



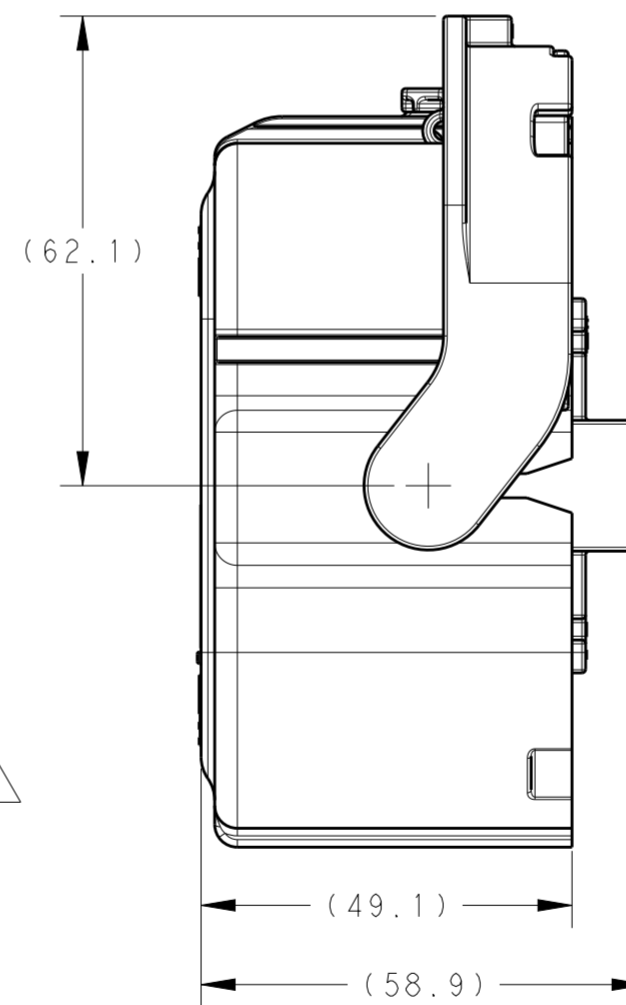
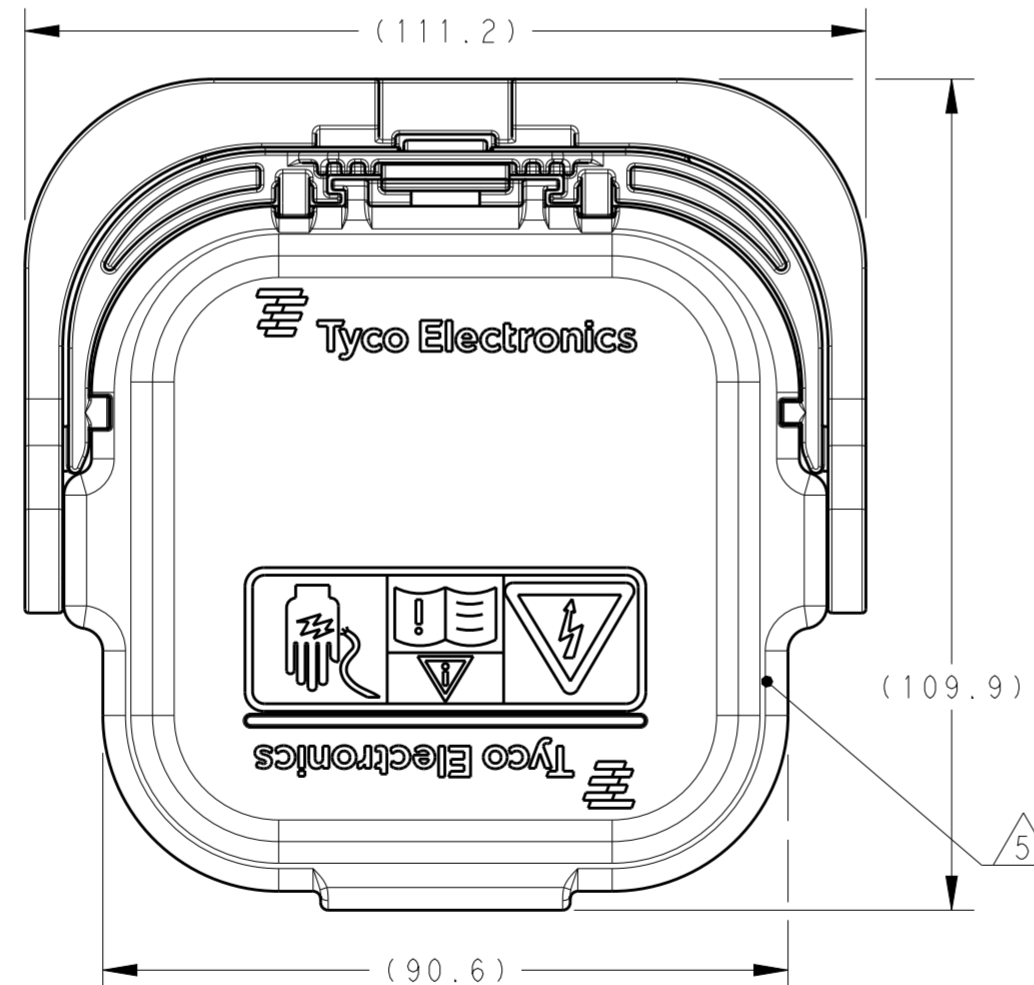
ISOMETRIC VIEW  
SCALE 1:1



### LEVER IN LOCKED POSITION



ISOMETRIC VIEW  
SCALE 1:1



D	NATURAL/OFF-WHITE	261.25	SHUNT	2-2103172-7
D	NATURAL/OFF-WHITE	525.60	250A	1-2103172-9
D	NATURAL/OFF-WHITE	525.60	200A	1-2103172-8
	BLACK	261.25	SHUNT	1-2103172-7
D	NATURAL/OFF-WHITE	525.60	350A	1-2103172-2
	BLACK	525.60	350A	1-2103172-1
	BLACK	525.60	250A	2103172-9
	BLACK	525.60	200A	2103172-8
INNER LEVER COLOR		PART WEIGHT(g)	FUSE RATING	PART NUMBER

- ① INNER HOUSING MAY BE ASSEMBLED ROTATED 180° FROM AS SHOWN
- ② ASSEMBLY / WORK INSTRUCTIONS: 408-10432
- ③ NOTE DELETED
- ④ SEE SHEET 2 FOR FUSE RATING MARKINGS AND KEYING CONFIGURATIONS
- ⑤ IMAGE FOR REFERENCE ONLY, SHOWS ORIENTATION

THIS DRAWING IS A CONTROLLED DOCUMENT. DIMENSIONING AND TOLERANCING PER ASME Y14.5M-2009

DWN: A BOYER 04JAN2011  
 CHK: A BOYER 04JAN2011  
 APVD: J BOLEWITZ 04JAN2011

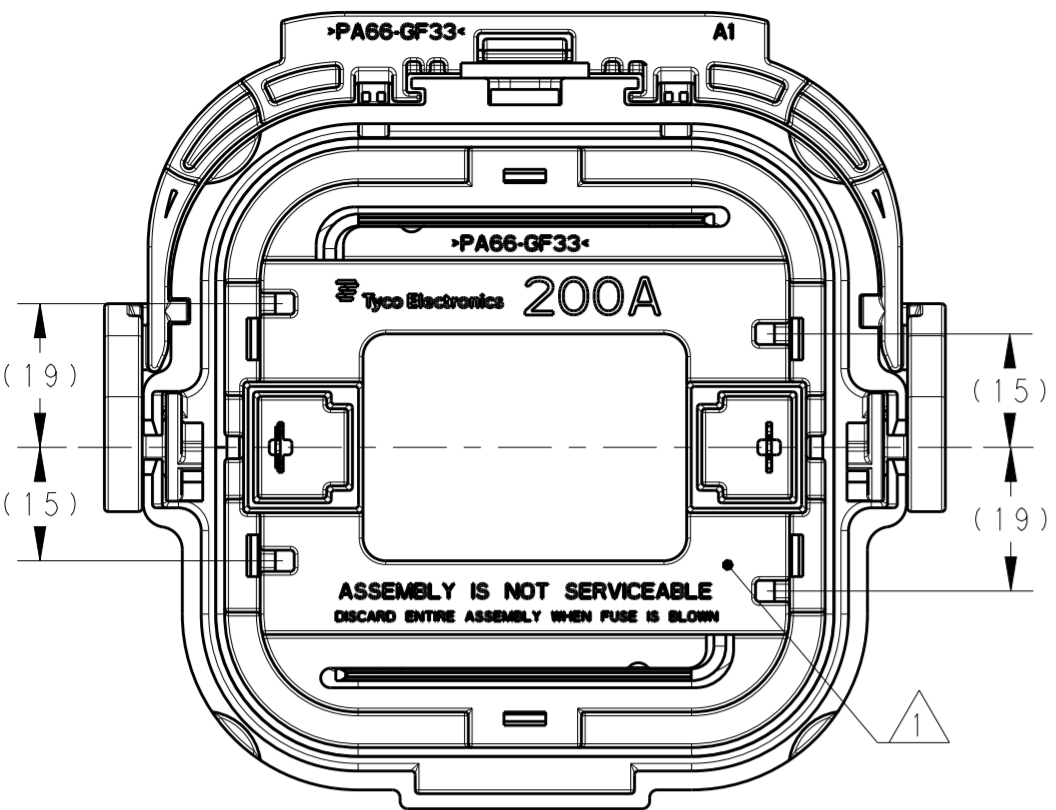
TE Connectivity

PLUG ASSEMBLY  
MANUAL SERVICE DISCONNECT

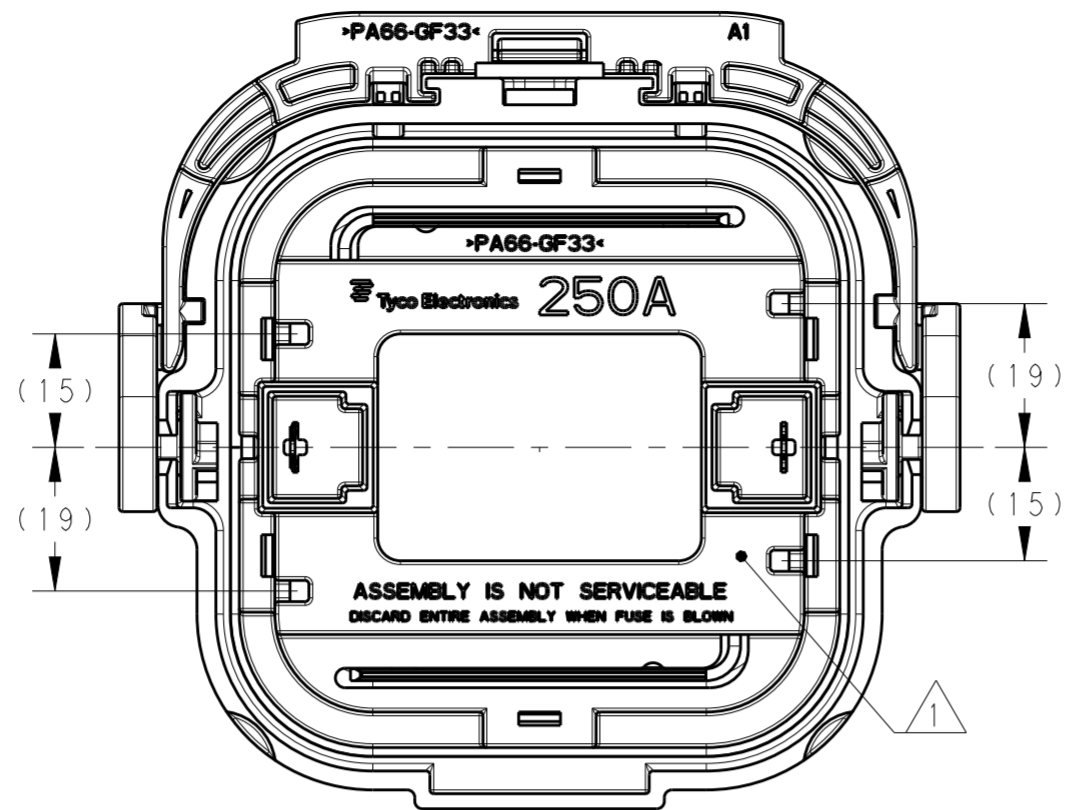
SIZE: A2 CAGE CODE: 00779 DRAWING NO: C-2103172 RESTRICTED TO: -

SCALE: 1:1 SHEET 1 OF 2 REV D

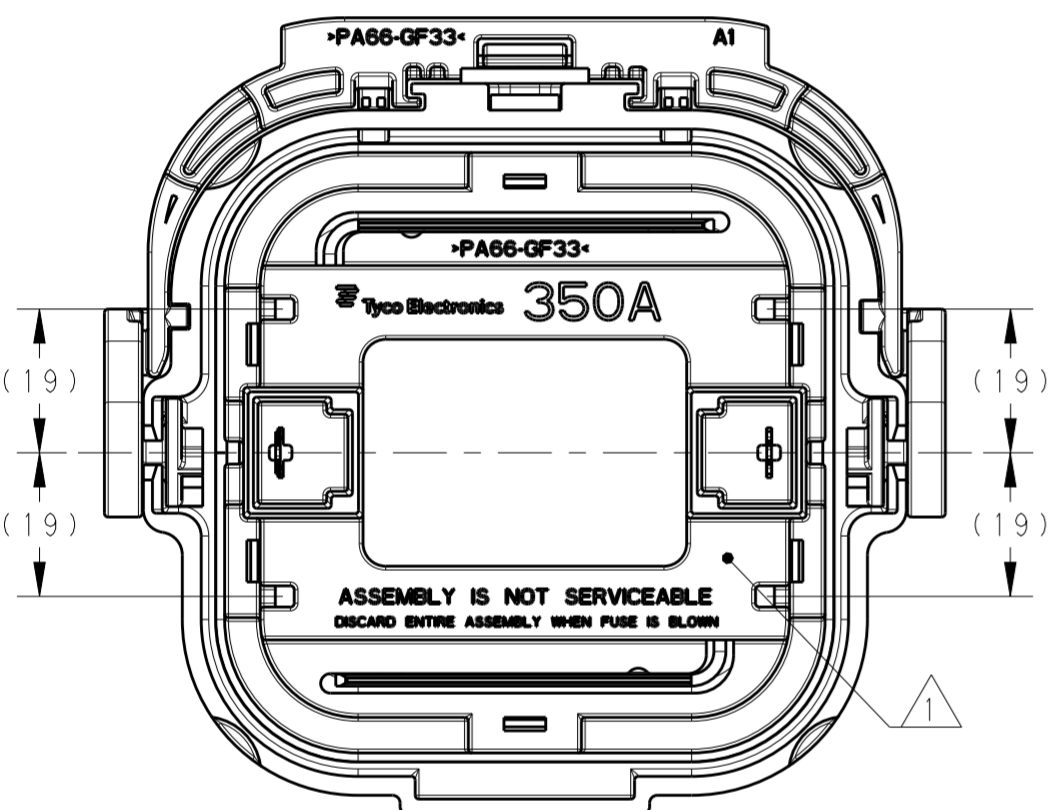
LOC	DIST	REVISIONS			
P	LTR	DESCRIPTION	DATE	DWN	APVD
		SEE SHEET 1			



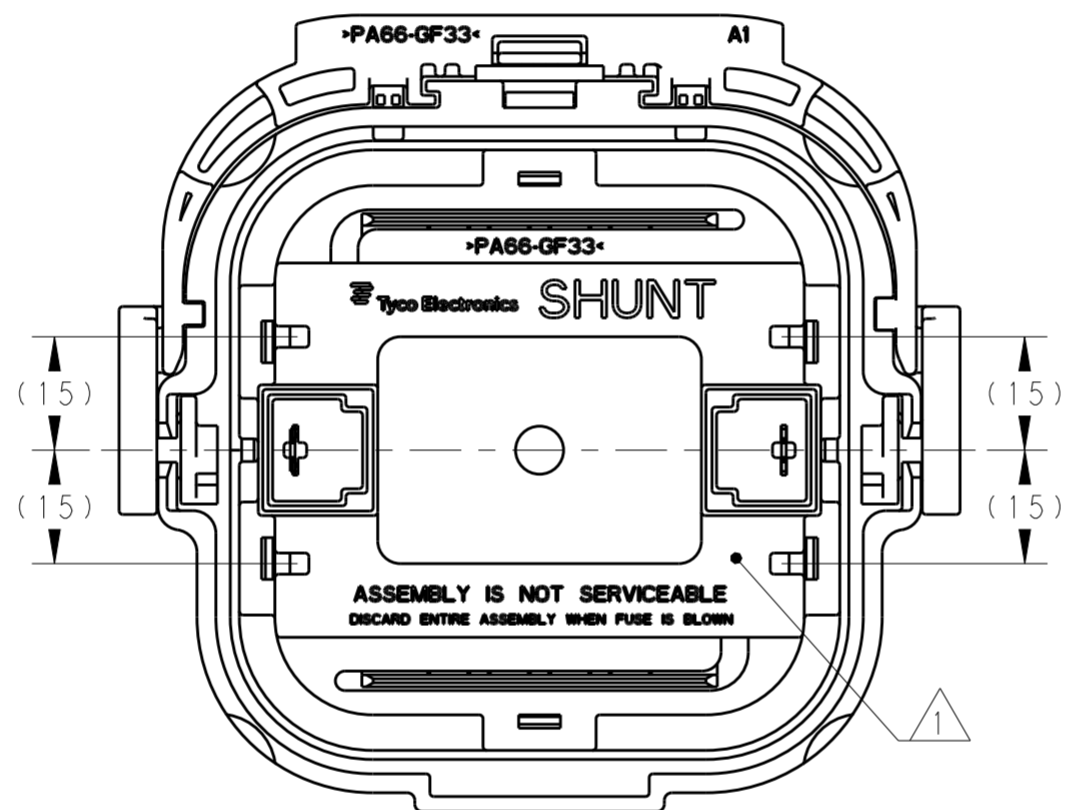
2103172-8 & 1-2103172-8  
 FUSE RATING: 200A




2103172-9 & 1-2103172-9  
 FUSE RATING: 250A



1-2103172-1 & 1-2103172-2  
 FUSE RATING: 350A



1-2103172-7 & 2-2103172-7  
 SHUNT

THIS DRAWING IS A CONTROLLED DOCUMENT. DIMENSIONING AND TOLERANCING PER ASME Y14.5M-2009		DWN A. BOYER 04 JAN 2011	 TE Connectivity	
DIMENSIONS: mm		CHK A. BOYER 04 JAN 2011		
TOLERANCES UNLESS OTHERWISE SPECIFIED:		APVD J. BOLEWITZ 04 JAN 2011	NAME PLUG ASSEMBLY MANUAL SERVICE DISCONNECT	
0 PLC ± 1 PLC ± 2 PLC ± 3 PLC ± 4 PLC ± ANGLES ± FINISH		PRODUCT SPEC 108-127000	SIZE A200779	DRAWING NO C-2103172
MATERIAL	-	WEIGHT SEE TABLE	RESTRICTED TO	-
Customer Drawing		SCALE 1:1	SHEET 2	REV D