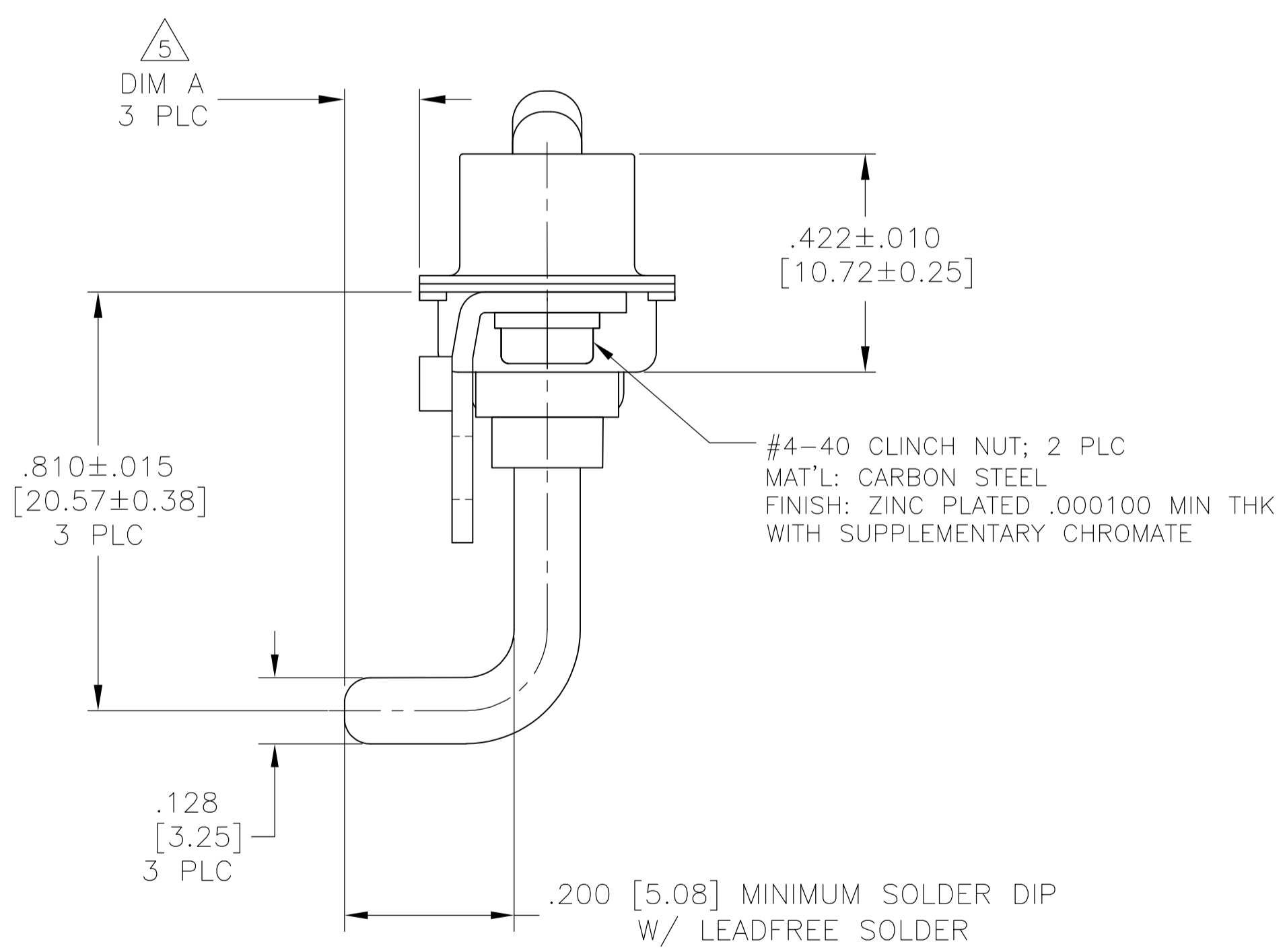
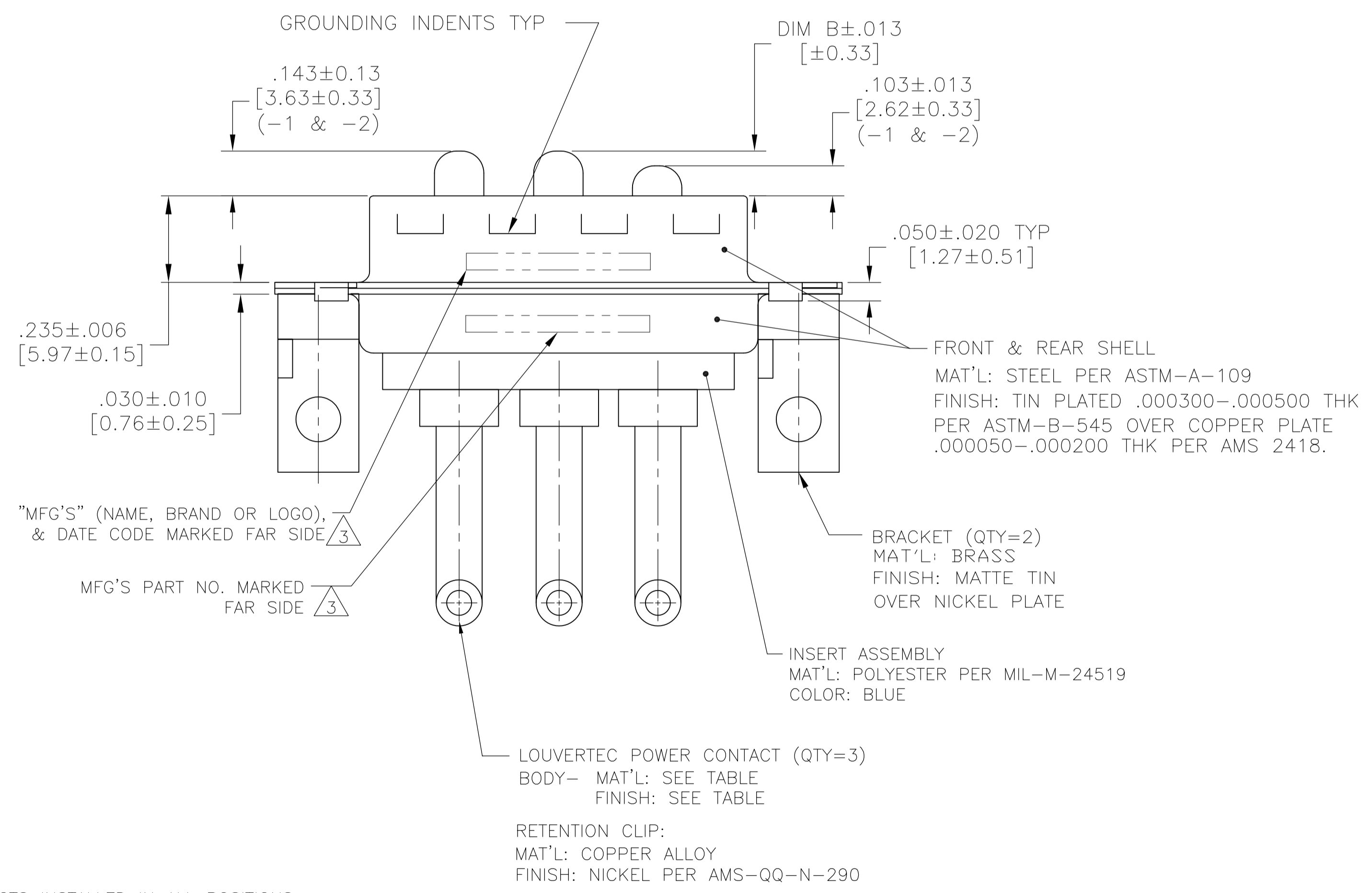
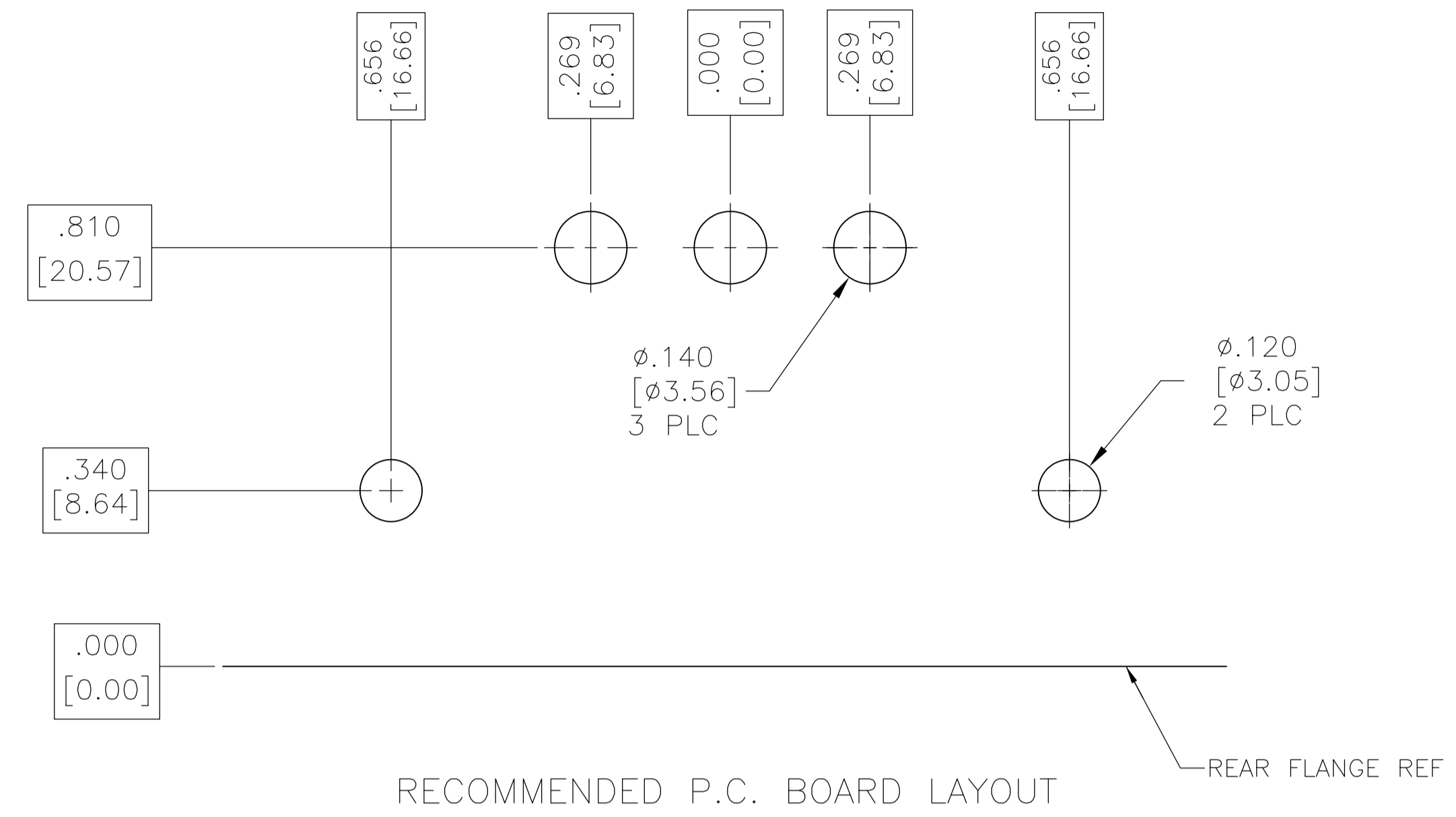
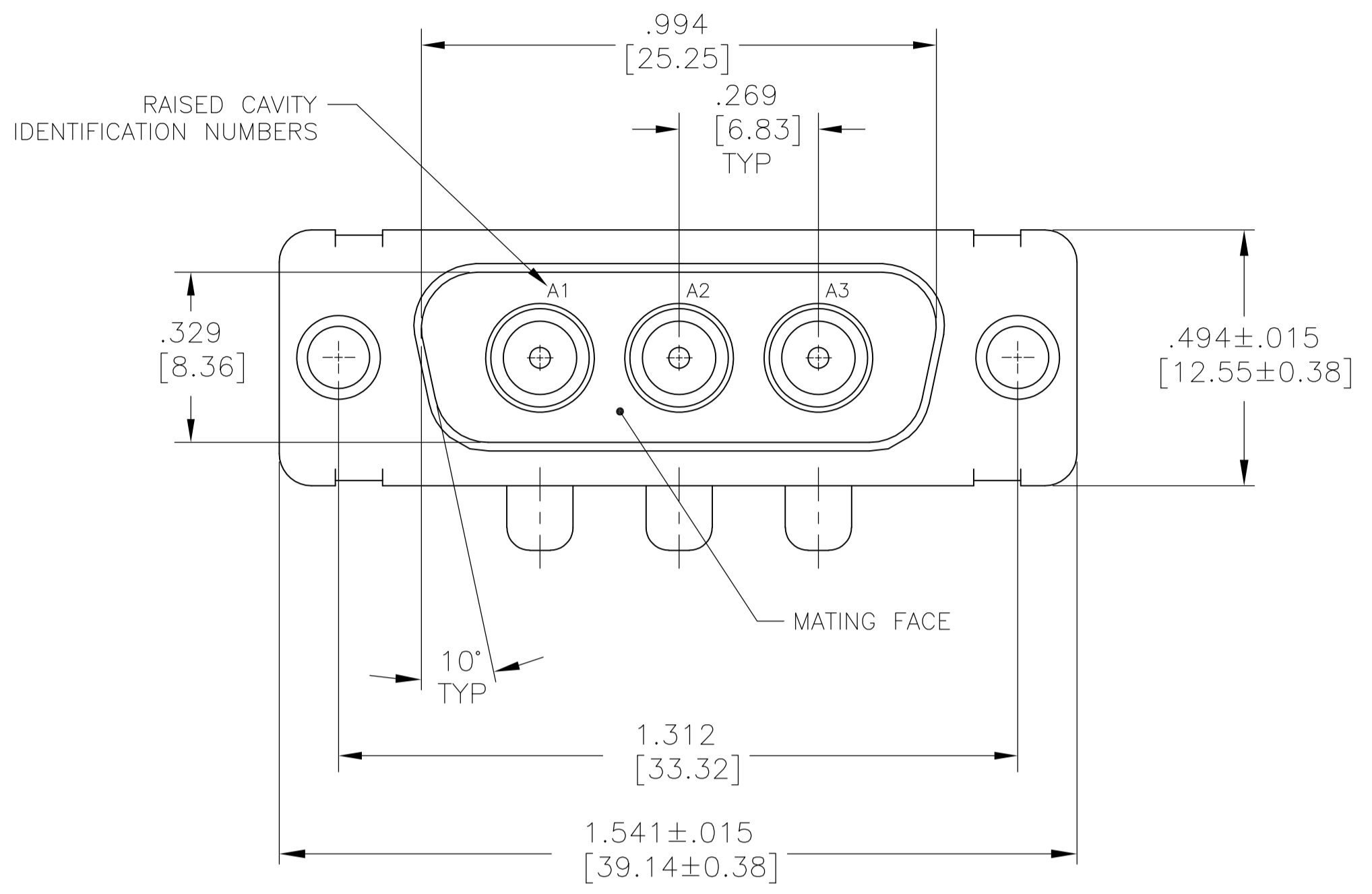


LOC		DIST		REVISIONS			
P	LTR	DESCRIPTION	DATE	DN	APVD		
J1	REVISED PER ECO 12-004237		06MAR12	KH	BL		



- CONTACTS INSTALLED IN ALL POSITIONS.
- THIS CONNECTOR UTILIZES "LOUVERTAC" STYLE CONTACTS. THE CONNECTOR SHOULD ONLY BE MATED WITH A RECEPTACLE USING SIMILAR CONTACTS. DO NOT MATE WITH A RECEPTACLE USING STANDARD "POWER VIII" CONTACTS.
- "FAR SIDE OF THE CONNECTOR REFERS TO THE WIDE SIDE OF THE KEYSTONE.
- ZIP-CHEM LUBRICANT APPLIED ON CONTACT MATING AREAS.
- NOMINAL PIN LENGTH PRIOR TO LEAD FREE SOLDER DIP. ".150"-.200" REF POST DIP.

POWER CONTACT MATERIAL & FINISH	P.C.BOARD THICKNESS; REF	DIM B	DIM A	PART NO.
MAT'L: TELLURIUM COPPER PER ASTM B301 FINISH: PLATED GOLD .000030-.000050 THK. PER ASTM-B488 OVER NICKEL .000050-.000100 THK. PER AMS-QQ-N-290	.120 [3.05] OR .080 [2.03]	.173 [4.39]	.145±.020 [3.68±0.51]	2101726-2
MAT'L: TELLURIUM COPPER PER ASTM B301 FINISH: PLATED GOLD .000030-.000050 THK. PER ASTM-B488 OVER NICKEL .000050-.000100 THK. PER AMS-QQ-N-290	.120 [3.05] OR .080 [2.03]	.143 [3.63]	.145±.020 [3.68±0.51]	2101726-1

THIS DRAWING IS A CONTROLLED DOCUMENT.		C.C.THOMAS 12-17-09		TE Connectivity	
DIMENSIONS: INCHES		TOLERANCES UNLESS OTHERWISE SPECIFIED:		NAME	
0 PLC ± -		1 PLC ± -		PLUG ASSEMBLY, 3C3, COAX, SIZE 2, SERIES 109, AMPLIMITE WITH LOUVERTAC STYLE CONTACTS	
1 PLC ± -		2 PLC ± -		APPLICATION SPEC	
2 PLC ± -		3 PLC ± .005 [0.13]		SIZE	
3 PLC ± -		4 PLC ± -		CASE CODE	
4 PLC ± -		ANGLES ± 0°30'		DRAWING NO	
MATERIAL SEE TABLE		FINISH SEE TABLE		WEIGHT	
				A1 00779	
				CUSTOMER DRAWING	
				SCALE 4:1 SHEET 1 OF 1 REV J1	