

# **KLIXON** | 20PS, 39PS, 40PS and 41PS Pressure Switches

## WORLD CLASS PERFORMANCE

The 20PS Family of Switch products (20PS, 39PS, 40PS and 41PS) was developed to meet the demanding needs of HVAC & industrial applications and has since become a staple in the heavy vehicle and off road markets. The reliable and durable construction allows the product to perform under severe environmental conditions and very high vibration levels.

Sensata Technologies has been a leading global supplier of pressure sensors & switches for over 50 years.

### Features & Benefits

- Automatic Reset
- Single-pole, single throw switch normally open or normally closed
- Factory calibrated set points g vacuum to 750 psig
- Snap acting Klixon™ stainless steel, hermetically sealed sensor
- Environmentally sealed or vented switch
- High cycle life - Proven reliability
- Custom engineered solutions

### Applications

- Compressors & Pumps
- Hydraulics & Pneumatics
- Engine Controls
- Air Conditioning & Refrigeration
- Construction Equipment
- Agricultural Equipment
- Process Control / Laboratory
- Military

### Technical Specifications

<b>Operating Pressure</b> Vacuum to 750 psig (52 bar)		<b>Dielectric Strength</b> 750 Vrms Open Contacts 1550 Vrms Terminals to Fitting
<b>Proof Pressure</b>		<b>Lead Wire Material / Electrical Connection</b> 18 or 16 AWG 600V 105°C PVC Quick Connects .250" x .032" Male Str. Tab Various AMP, Packard, Delphi & Deutsch Connectors
<b>Set Point</b>	<b>Proof Pressure</b>	<b>Ambient Temperature</b> -20°F to 176°F / (-29°C to 80°C) (20PS) -40°F to 248°F / (-40°C to 120°C) (40/41PS)
<100psig	250psig (17 Bar)	<b>Fluid Temperature</b> -65°F to 275°F / (-53.9°C to 135°C)
100-500psig	600psig (41 bar)	<b>Agency Recognitions</b>
>500psig	800psig (55 bar)	UL File SA995 Guide SDFY2
Higher pressures available for certain applications. Contact Sensata.		UL (Canada) File SA995 Guide SDFY8
<b>Burst Pressure</b> 5000 psig		PED EN 12263 Module B&D
<b>Life at Rated Current</b> 100,000 cycles (All - UL Recognition) 250,000 cycles (All except 20PS)		ENEC, EN60730 EN60730-1, EN60730-2-6
<b>Electrical Ratings</b>		RoHS Compliancy Available
120 VAC - 5.8 FLA 34.8 LRA		
240 VAC - 2.9 FLA 15.0 LRA		
120/277 VAC - 375 VA Pilot Duty		
24 VAC - 125 VA Pilot Duty		

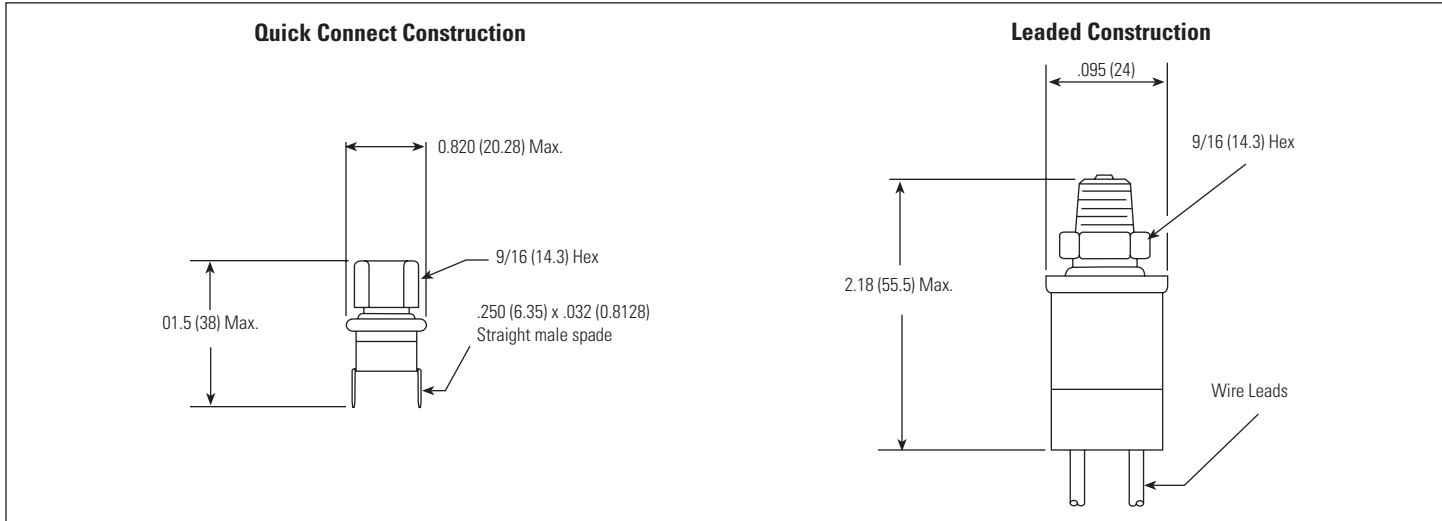
The World Depends on Sensors and Controls

Klixon is a registered trademark of Sensata Technologies

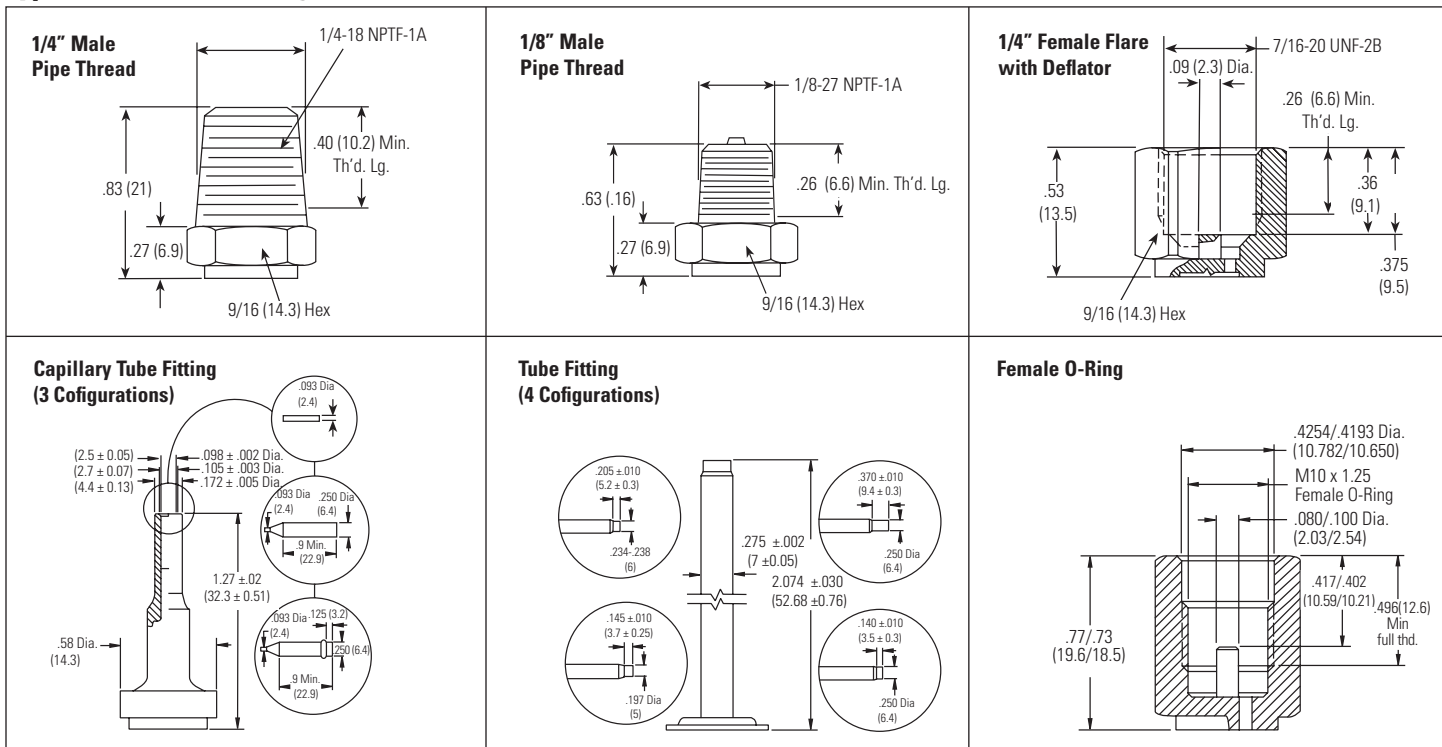
# KLIXON<sup>®</sup> | 20PS, 39PS, 40PS and 41PS

## Pressure Switches

### Typical Physical Characteristics - 20PS, 39PS, 40PS, 41PS



### Typical Standard Fittings (Other port fittings are available. Contact Sensata.)



The World Depends on Sensors and Controls

### Sensata Technologies

529 Pleasant Street, MS B19  
Attleboro, MA 02703-2964  
Phone 1-888-438-2214

Fax: 508-236-2349  
email: [sensors@sensata.com](mailto:sensors@sensata.com)  
[www.sensata.com](http://www.sensata.com)

**Important Notice:** Sensata Technologies (Sensata) reserves the right to make changes to or discontinue any product or service identified in this publication without notice. Sensata advises its customers to obtain the latest version of the relevant information to verify, before placing any orders, that the information being relied upon is current. Sensata assumes no responsibility for infringement of patents or rights of others based on Sensata applications assistance or product specifications since Sensata does not possess full access concerning the use or application of customers' products. Sensata also assumes no responsibility for customers' product designs.