

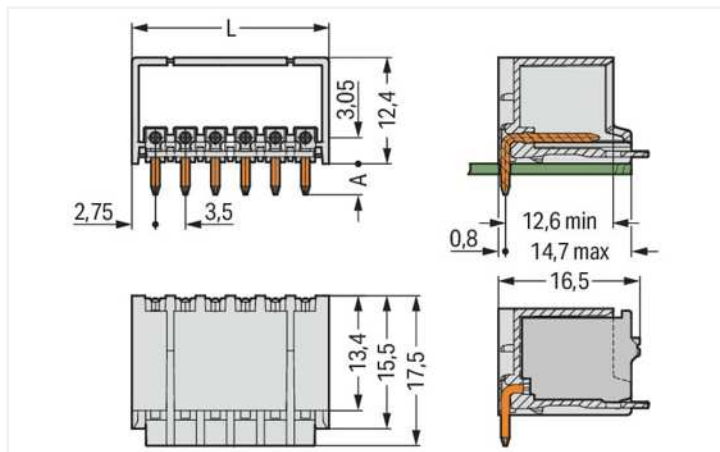
# Data Sheet | Item Number: 2091-1426/200-000

THR male header; 1.0 mm Ø solder pin; angled; Pin spacing 3.5 mm; 6-pole; light gray

<https://www.wago.com/2091-1426/200-000>



Color:  light gray

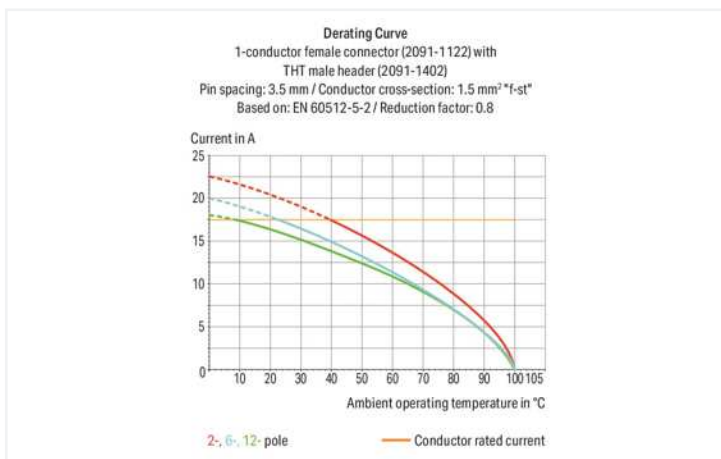


Dimensions in mm

$L = (\text{pole no.} \times \text{pin spacing}) + 2.0 \text{ mm}$

A = 3.6 mm THT solder pin

A = 2.4 mm THR solder pin



- Assembly of female connectors without loss of poles, allowing different functions to be divided within one male header (≥ 4 poles)
- Coding pins inserted into the header interface prevent mismatching, allowing subsequent coding in panel feedthrough applications
- The female connector is fully shrouded by the male header's housing, providing vibration resistance up to 20 g

## Notes

Safety information

The **picoMAX® Pluggable Connection System** includes connectors without breaking capacity in accordance with DIN EN 61984. When used as intended, these connectors must not be connected/disconnected when live or under load. The circuit design should ensure header pins, which can be touched, are not live when unmated.

Variants:

Direct marking  
 Other versions (or variants) can be requested from WAGO Sales or configured at <https://configurator.wago.com/>.

## Electrical data

### Ratings per IEC/EN

|                               |                |
|-------------------------------|----------------|
| Ratings per                   | IEC/EN 60664-1 |
| Nominal voltage (III/3)       | 160 V          |
| Rated impulse voltage (III/3) | 2.5 kV         |
| Rated voltage (III/2)         | 160 V          |
| Rated impulse voltage (III/2) | 2.5 kV         |
| Nominal voltage (II/2)        | 320 V          |

### Ratings per IEC/EN

|                            |   |
|----------------------------|---|
| Rated surge voltage (II/2) | 2.5 kV  |
| Rated current              | 10 A  |
| Legend (ratings)           | (III / 2) ≙ Overvoltage category III / Pollution degree 2 |

### Ratings per UL 1059

|                                |         |
|--------------------------------|---------|
| Approvals per                  | UL 1059 |
| Rated voltage UL (Use Group B) | 300 V   |
| Rated current UL (Use Group B) | 10 A    |
| Rated voltage UL (Use Group D) | 300 V   |
| Rated current UL (Use Group D) | 10 A    |

### Connection data

|                            |   |
|----------------------------|---|
| Total number of potentials | 6 |
| Number of connection types | 1 |
| Number of levels           | 1 |

#### Connection 1

|             |   |
|-------------|---|
| Pole number | 6 |
|-------------|---|

### Physical data

|                                    |                          |
|------------------------------------|--------------------------|
| Pin spacing                        | 3.5 mm / 0.138 inches    |
| Width                              | 23 mm / 0.906 inches     |
| Height                             | 14.8 mm / 0.583 inches   |
| Height from the surface            | 12.4 mm / 0.488 inches   |
| Depth                              | 17.5 mm / 0.689 inches   |
| Solder pin length                  | 2.4 mm                   |
| Solder pin diameter                | 1 mm                     |
| Plated through-hole diameter (THR) | 1.2 <sup>(+0.1)</sup> mm |

### Mechanical data

|                          |     |
|--------------------------|-----|
| Variable coding          | Yes |
| Anti-rotation protection | Yes |

### Plug-in connection

|                                      |                     |
|--------------------------------------|---------------------|
| Contact type (pluggable connector)   | Male connector/plug |
| Connector (connection type)          | for PCB             |
| Mismating protection                 | No                  |
| Plugging without loss of pin spacing | Yes                 |
| Mating direction to the PCB          | 0 °                 |
| Locking of plug-in connection        | Locking latch       |

### PCB contact

|             |     |
|-------------|-----|
| PCB contact | THR |
|-------------|-----|

### Material data

|                             |  |
|-----------------------------|--|
| Note (material data)        | <a href="#">Information on material specifications can be found here</a> |
| Color                       | light gray   |
| Material group              | I  |
| Insulation material         | Polyphthalamide (PPA GF)   |
| Flammability class per UL94 | V0   |
| Contact material            | Electrolytic copper (E <sub>CU</sub> )                                   |
| Contact plating             | Tin  |
| Fire load                   | 0.047 MJ   |
| Weight                      | 2.2 g  |

### Environmental requirements

|                         |                 |
|-------------------------|-----------------|
| Limit temperature range | -60 ... +100 °C |
| Processing temperature  | -35 ... +60 °C  |

### Commercial data

|                       |               |
|-----------------------|---------------|
| eCl@ss 10.0           | 27-44-04-02   |
| eCl@ss 9.0            | 27-44-04-02   |
| ETIM 8.0              | EC002637      |
| ETIM 7.0              | EC002637      |
| PU (SPU)              | 100 pcs       |
| Packaging type        | Box           |
| Country of origin     | DE            |
| GTIN                  | 4050821396253 |
| Customs tariff number | 85366990990   |

### Approvals / Certificates

#### General approvals



| Approval                                | Standard  | Certificate Name |
|---|-----------|------------------|
| CB<br>DEKRA Certification B.V.          | IEC 61984 | NL-49736/A1      |
| CSA<br>DEKRA Certification B.V.         | C22.2     | 2362521          |
| KEMA/KEUR<br>DEKRA Certification B.V.   | EN 61984  | 71-102260 REV.1  |
| UL<br>Underwriters Laboratories<br>Inc. | UL 1977   | E45171           |
| UR<br>Underwriters Laboratories<br>Inc. | UL 1059   | E45172           |

### Downloads

#### Environmental Product Compliance

##### Compliance Search

Environmental Product  
Compliance  
2091-1426/200-000



### Documentation

| Additional Information |            |                   |                   |
|------------------------|------------|-------------------|-------------------|
| Technical Section      | 03.04.2019 | pdf<br>1949.09 KB | <a href="#">↓</a> |
|                        |            | pdf<br>392.38 KB  | <a href="#">↓</a> |

| CAD/CAE-Data                      |                                   |
|-----------------------------------|-----------------------------------|
| CAD data                          | CAE data                          |
| 2D/3D Models<br>2091-1426/200-000 | ZUKEN Portal<br>2091-1426/200-000 |
| <a href="#">↓</a>                 | <a href="#">↓</a>                 |

## 1 Compatible Products

### 1.1 System counterpart

#### 1.1.1 Female connector/socket



**Item No.: 2091-1126**  
 1-conductor female connector; push-button; Push-in CAGE CLAMP®; 1.5 mm<sup>2</sup>; Pin spacing 3.5 mm; 6-pole; 1,50 mm<sup>2</sup>; light gray

### 1.2 Optional Accessories

#### 1.2.1 Coding

##### 1.2.1.1 Coding



**Item No.: 2091-1610**  
 Coding key carrier; suitable for 3.5 mm pin spacing; orange

## Installation Notes

### Coding



Coding a male header (via coding key carrier and two keys for male header, see symbol).