

Male header with angled solder pins; 2-pole; pin spacing 3.5 mm / 0.138 in

Item No.: 2091-1422



Male header with angled solder pins; 2-pole; pin spacing 3.5 mm / 0.138 in

Marking

RoHS ✓
Compliant

Business data

Supplier	WAGO
Item no.	2091-1422
EAN	4050821161073
Content	1
Order amount	200
Customer item number	

Notes

Assembly of female connectors without loss of poles, allowing different functions to be divided within one male header Coding pins inserted into the header interface prevent mismating, allowing subsequent coding in panel feedthrough applications The female connector is fully shrouded by the male header's housing, providing vibration resistance up to 20 g

Technical data

Miscellaneous

No. of Poles	2
Color	light gray
Ratings according to 1	IEC/EN 60664-1
Overvoltage category EN 1	III
Pollution degree (1)	2
Rated voltage EN (1) [V]	160 [V]

Technical data	
Rated surge voltage (1) [kV]	2.5 [kV]
Nominal current [A]	10 [A]
Overvoltage category EN 2	II
Degree of pollution (2)	2
Rated voltage EN (2) [V]	320 [V]
Bemessungsstossspannung (2) [kV]	2.5 [kV]
Nominal current (2) [A]	10 [A]
Overvoltage category EN 3	III
Degree of pollution (3)	3
Rated voltage EN (3) [V]	160 [V]
Rated surge voltage (3) [kV]	2.5 [kV]
Nominal current (3) [A]	10 [A]
Solder pin length [mm]	3.6 [mm]
Solder pin diameter [mm]	1 [mm]
Drilled hole diameter [mm] [mm]	1.2 [mm]
Tolerance of drilled hole diameter [mm] [mm]	+0.1 [mm]
Material group	I
Insulating material	Polyphthalamide glass fiber (PPA-GF)
Flammability rating per UL 94	V0
Lower limit temperature [C]	-60 [C]
Upper temperature limit [C]	100 [C]
Contact material	Electrolytic copper (Ecu)
Contact plating	tin-plated
Fire load [MJ]	0.022 [MJ]
Weight [g]	0.99 [g]
Width [mm]	9 [mm]
Width [in]	0.354 [in]
Height [mm]	12.4 [mm]
Height [in]	0.488 [in]
Length [mm]	17.5 [mm]
Length [in]	0.689 [in]
Pin spacing from [mm]	3.5 [mm]

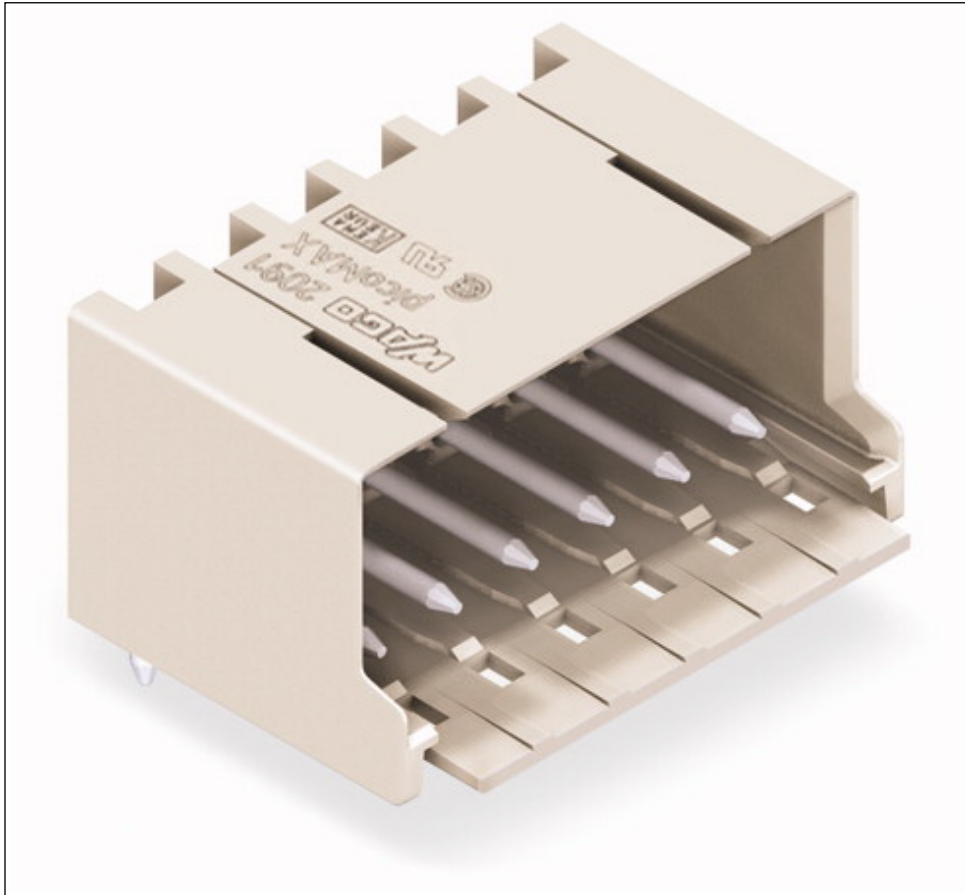
Approbation					
Item No.	Registration	Registration no.	Voltage [V]	Current [A]	Cross section [mm ² , AWG]
2091-1422	UL	e45171	300	10	
2091-1422	UL	E45172	300	10	24 - 16

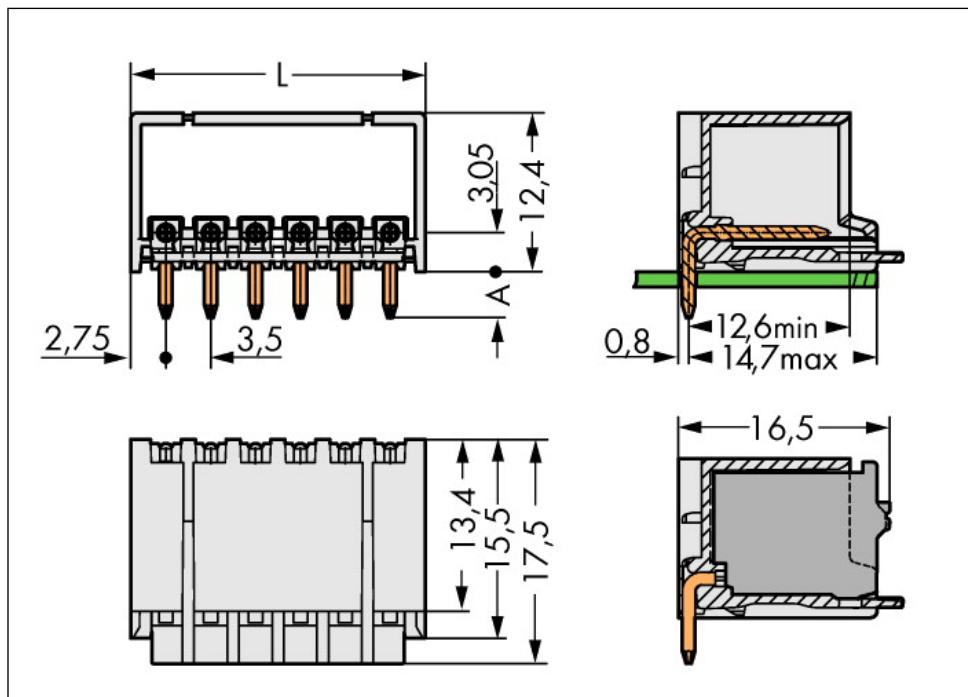
Accessories

Coding		
Item no.	Description	Pack. unit (Sub Pack)
2091-1610	Coding key carrier; suitable for 3.5 mm pin spacing	25

Counterpart		
Item no.	Description	Pack. unit (Sub Pack)
2091-1102	Female connector with gripping plate; 2-pole; pin spacing 3.5 mm / 0.138 in	100
2091-1102/002-000	Female connector with gripping plate; Cable bundle function and unlocking aid; 2-pole; Pin spacing 3.5 mm / 0.138 in	100
2091-1122	Female connector; 2-pole; pin spacing 3.5 mm / 0.138 in	200
2091-1152	eCOM pluggable PCB connector with straight solder pins; with gripping plate; 2-pole; pin spacing 3.5 mm / 0.138 in	100
2091-1172	eCOM pluggable PCB connector with straight solder pins; without gripping plate; 2-pole; pin spacing 3.5 mm / 0.138 in	200
2091-1172/200-000	eCOM pluggable PCB connector with straight solder pins; without gripping plate; 2-pole; pin spacing 3.5 mm / 0.138 in	200
2091-1302	Female header with straight solder pins; 2-pole; pin spacing 3.5 mm / 0.138 in	200
2091-1322	Female header with angled solder pins; 2-pole; pin spacing 3.5 mm / 0.138 in	200
2091-1352	eCOM pluggable PCB connector with angled solder pins; with gripping plate; 2-pole; pin spacing 3.5 mm / 0.138 in	100
2091-1372	eCOM pluggable PCB connector with angled solder pins; without gripping plate; 2-pole; pin spacing 3.5 mm / 0.138 in	200
2091-1372/200-000	eCOM pluggable PCB connector with angled solder pins; without gripping plate; 2-pole; pin spacing 3.5 mm / 0.138 in	200

Images & drawings





Address

WAGO Kontakttechnik GmbH & Co. KG

Hansastr. 27

32423 Minden

Telefon: 0571/887-0

Fax: 0571/887-169

<http://www.wago.com>

© WAGO Kontakttechnik GmbH & Co. KG

Technische Änderungen und Irrtümer vorbehalten.