

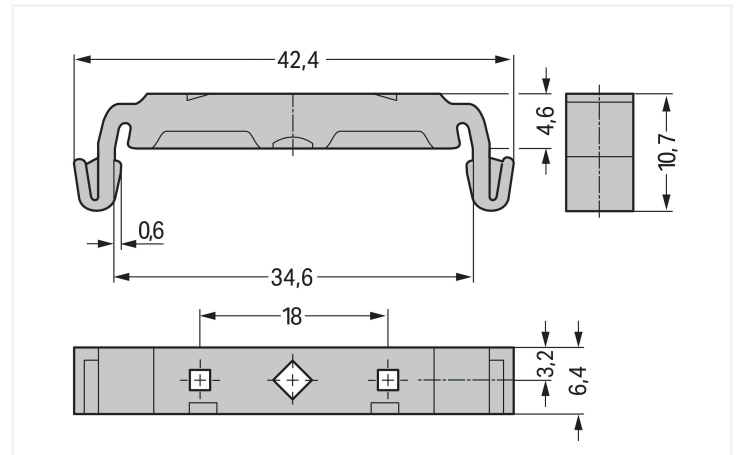
Data Sheet | Item Number: 209-120

Mounting foot; can be snapped on terminal blocks with snap-in mounting foot; for mounting on relay-modules; 6.4 mm wide; gray

<https://www.wago.com/209-120>



Color: ■ gray



Dimensions in mm

Technical data

Mounting type DIN-35 rail

Physical data

Width 6.4 mm / 0.252 inches
Height 42.3 mm / 1.665 inches
Depth 10.8 mm / 0.425 inches
Depth from upper-edge of DIN-rail 4.8 mm / 0.188 inches

Mechanical data

Suitable for male and female connectors with snap-in mounting feet (for panel mounting)

Material data

Color gray
Material group I
Insulation material (main housing) Polyamide (PA66)
Flammability class per UL94 V0
Fire load 0.036 MJ
Weight 1.2 g

Commercial data

Product Group 2 (Terminal Block Accessories)
eCl@ss 10.0 27-14-11-92
eCl@ss 9.0 27-14-11-92
ETIM 9.0 EC002848
ETIM 8.0 EC002848
PU (SPU) 500 (25) pcs
Packaging type Box
Country of origin CH
GTIN 4017332272421
Customs tariff number 39269097900

Environmental Product Compliance

RoHS Compliance Status Compliant, No Exemption

Downloads

Environmental Product Compliance

Compliance Search	
Environmental Product Compliance 209-120	↓

Documentation

Bid Text			
209-120	19.02.2019	xml 2.53 KB	↓
209-120	18.08.2017	doc 22.50 KB	↓

CAD/CAE-Data

CAD data	
2D/3D Models 209-120	↓

CAE data	
EPLAN Data Portal 209-120	↓
WSCAD Universe 209-120	↓
ZUKEN Portal 209-120	↓

1 Compatible Products

1.1 Optional Accessories

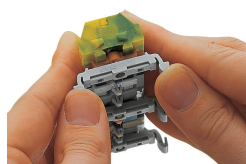
1.1.1 Installation

1.1.1.1 Mounting accessories

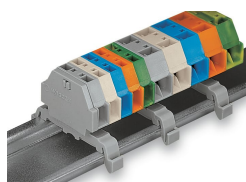


Item No.: 209-119
Fixing screw; for 209-120 mounting carrier

Installation Notes



Terminal strip with snap-in mounting feet
Snapping a mounting foot (209-120).
(Distance between mounting feet: approx.
25 ... 30 mm)



Terminal strip; with snap-in mounting feet;
for DIN-35 rail