



Connectors > RF Connectors > RF Plugs & Jacks



RF Interface: **4.3-10**

RF Connector Style: **Plug**

RF Connector Mated Outer Diameter (Approximate): **35 mm [1.378 in]**

Impedance: **50 Ω**

Compatible With RF Cable Type: **7/8" Cable**

Features

Product Type Features

Connector Shape	Circular
Connector Product Type	Connector Assembly
Connector Seal Type	Interface Seal
RF Interface	4.3-10
RF Connector Style	Plug
Compatible With RF Cable Type	7/8" Cable
Connector System	Cable-to-Cable
Sealable	Yes
Connector & Contact Terminates To	Wire & Cable

Configuration Features

Number of Coaxial Contacts	1
----------------------------	---

Electrical Characteristics

Impedance	50 Ω
-----------	------

Body Features

Cable Connector Orientation	Straight
Body Material	Brass
Body Material Finish	Bright
Body Plating Material	White Bronze



Contact Features

RF Connector Center Contact Plating Material	Silver
RF Connector Center Contact Material	Bronze

Termination Features

Termination Post & Tail Length	0 mm[0 in]
Termination Method to Wire & Cable	Clamp

Mechanical Attachment

RF Connector Coupling Mechanism	Screw
Connector Mounting Type	Cable Mount (Free-Hanging)
RF Contact Captivation Method	Screw

Dimensions

Product Length	58.8 mm
RF Connector Mated Outer Diameter (Approximate)	35 mm[1.378 in]

Usage Conditions

Insulation Option	Uninsulated
Operating Temperature Range	-40 – 85 °C[-40 – 185 °F]

Operation/Application

Operating Frequency	0 – 6 GHz
---------------------	-----------

Packaging Features

Packaging Quantity	100
Packaging Method	Box

Other

Coupling Nut Plating Material	Nickel
Coupling Nut Plating Finish	Plated
Coupling Nut Base Material	Brass
Gasket Material	Silicone Rubber
Dielectric Material	PTFE

Product Compliance

For compliance documentation, visit the product page on [TE.com](#)>

EU RoHS Directive 2011/65/EU	Compliant with Exemptions
EU ELV Directive 2000/53/EC	Not Yet Reviewed



China RoHS 2 Directive MIIT Order No 32, 2016

Restricted Materials Above Threshold

EU REACH Regulation (EC) No. 1907/2006

Current ECHA Candidate List: JAN 2023
(233)

Candidate List Declared Against: JAN 2023
(233)

SVHC > Threshold:

Pb (4% in Component Part)

Article Safe Usage Statements:

Do not eat, drink or smoke when using this product. Wash thoroughly after handling. Recycle if possible and dispose of the article by following all applicable governmental regulations relevant to your geographic location.

Halogen Content

Low Halogen - Br, Cl, F, I < 900 ppm per homogenous material. Also BFR/CFR/PVC Free

Solder Process Capability

Not reviewed for solder process capability

Product Compliance Disclaimer

This information is provided based on reasonable inquiry of our suppliers and represents our current actual knowledge based on the information they provided. This information is subject to change. The part numbers that TE has identified as EU RoHS compliant have a maximum concentration of 0.1% by weight in homogenous materials for lead, hexavalent chromium, mercury, PBB, PBDE, DBP, BBP, DEHP, DIBP, and 0.01% for cadmium, or qualify for an exemption to these limits as defined in the Annexes of Directive 2011/65/EU (RoHS2). Finished electrical and electronic equipment products will be CE marked as required by Directive 2011/65/EU. Components may not be CE marked. Additionally, the part numbers that TE has identified as EU ELV compliant have a maximum concentration of 0.1% by weight in homogenous materials for lead, hexavalent chromium, and mercury, and 0.01% for cadmium, or qualify for an exemption to these limits as defined in the Annexes of Directive 2000/53/EC (ELV). Regarding the REACH Regulation, the information TE provides on SVHC in articles for this part number is based on the latest European Chemicals Agency (ECHA) 'Guidance on requirements for substances in articles' posted at this URL: <https://echa.europa.eu/guidance-documents/guidance-on-reach>


Customers Also Bought



TE Part #980286-000
242W042-25-0



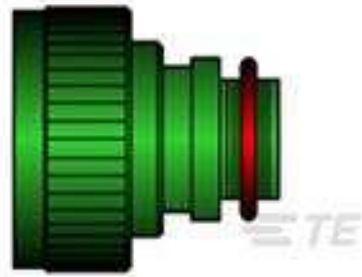
TE Part #293973-000
TXR40AB00-1612AI



TE Part #806677-000
214A032-25-0



TE Part #554173-000
TXR40AB00-1406AI



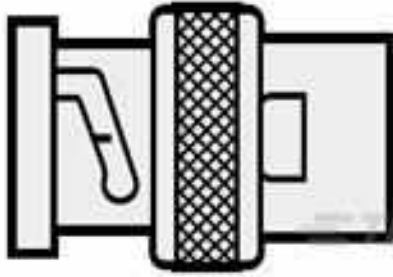
TE Part #658819-000
TXR40AB00-1006AI



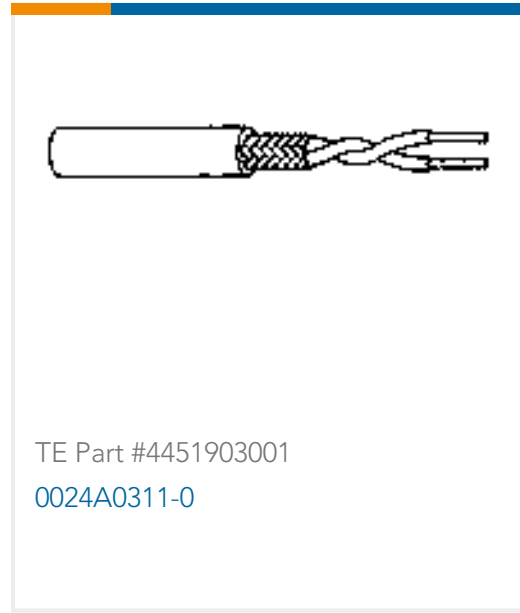
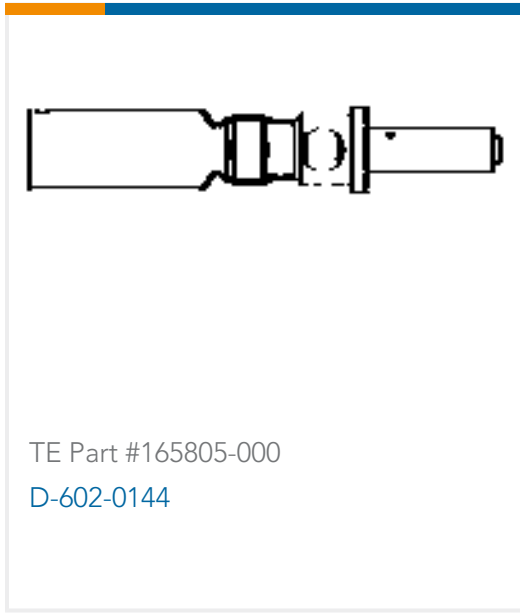
TE Part #430079-000
7528A5314-0



TE Part #918455-000
RBD-75-S-00



TE Part #900469-000
RBD-50-M-00



Documents

Product Drawings

[4.3-10 STR PLUG,SCREW,CLAMP,7-8 CABLE](#)

English

CAD Files

[3D PDF](#)

3D

Customer View Model

[ENG_CVM_CVM_2081972-1_A.2d_dxf.zip](#)

English

Customer View Model

[ENG_CVM_CVM_2081972-1_A.3d_igs.zip](#)

English

Customer View Model

[ENG_CVM_CVM_2081972-1_A.3d_stp.zip](#)

English

By downloading the CAD file I accept and agree to the [Terms and Conditions](#) of use.

Product Specifications

[Product Specification](#)

English

Instruction Sheets

[Instruction Sheet \(U.S.\)](#)

English