



Connectors > RF Connectors > RF Plugs & Jacks



RF Interface: **4.3-10**

RF Connector Style: **Plug**

RF Connector Mated Outer Diameter (Approximate): **25 mm [.984 in]**

Impedance: **50 Ω**

Compatible With RF Cable Type: **1/2" Superflex Cable**

Features

Product Type Features

| | |
|-----------------------------------|----------------------|
| Connector Shape | Circular |
| Connector Product Type | Connector Assembly |
| Connector Seal Type | Interface Seal |
| RF Interface | 4.3-10 |
| RF Connector Style | Plug |
| Compatible With RF Cable Type | 1/2" Superflex Cable |
| Connector System | Cable-to-Cable |
| Sealable | Yes |
| Connector & Contact Terminates To | Wire & Cable |

Configuration Features

| | |
|----------------------------|---|
| Number of Coaxial Contacts | 1 |
|----------------------------|---|

Electrical Characteristics

| | |
|-----------|------|
| Impedance | 50 Ω |
|-----------|------|

Body Features

| | |
|-----------------------------|--------------|
| Cable Connector Orientation | Right Angle |
| Body Material | Brass |
| Body Material Finish | Bright |
| Body Plating Material | White Bronze |



Contact Features

| | |
|--|--------|
| RF Connector Center Contact Plating Material | Silver |
| RF Connector Center Contact Material | Brass |

Termination Features

| | |
|------------------------------------|------------|
| Termination Post & Tail Length | 0 mm[0 in] |
| Termination Method to Wire & Cable | Solder |

Mechanical Attachment

| | |
|---------------------------------|----------------------------|
| RF Connector Coupling Mechanism | Screw |
| Connector Mounting Type | Cable Mount (Free-Hanging) |
| RF Contact Captivation Method | Screw |

Dimensions

| | |
|---|----------------|
| Product Length | 35.9 mm |
| RF Connector Mated Outer Diameter (Approximate) | 25 mm[.984 in] |

Usage Conditions

| | |
|-----------------------------|---------------------------|
| Insulation Option | Uninsulated |
| Operating Temperature Range | -40 – 85 °C[-40 – 185 °F] |

Operation/Application

| | |
|---------------------|-----------|
| Operating Frequency | 0 – 6 GHz |
|---------------------|-----------|

Packaging Features

| | |
|--------------------|-----|
| Packaging Quantity | 150 |
| Packaging Method | Box |

Other

| | |
|-------------------------------|-----------------|
| Coupling Nut Plating Material | Nickel |
| Coupling Nut Plating Finish | Plated |
| Coupling Nut Base Material | Brass |
| Gasket Material | Silicone Rubber |
| Dielectric Material | PTFE |

Product Compliance

For compliance documentation, visit the product page on [TE.com](#)>

| | |
|------------------------------|---------------------------|
| EU RoHS Directive 2011/65/EU | Compliant with Exemptions |
| EU ELV Directive 2000/53/EC | Not Yet Reviewed |



China RoHS 2 Directive MIIT Order No 32, 2016

Restricted Materials Above Threshold

EU REACH Regulation (EC) No. 1907/2006

Current ECHA Candidate List: JAN 2023
(233)

Candidate List Declared Against: JAN 2023
(233)

SVHC > Threshold:

Pb (4% in Component Part)

Article Safe Usage Statements:

Do not eat, drink or smoke when using this product. Wash thoroughly after handling. Recycle if possible and dispose of the article by following all applicable governmental regulations relevant to your geographic location.

Halogen Content

Low Halogen - Br, Cl, F, I < 900 ppm per homogenous material. Also BFR/CFR/PVC Free

Solder Process Capability

Not reviewed for solder process capability

Product Compliance Disclaimer

This information is provided based on reasonable inquiry of our suppliers and represents our current actual knowledge based on the information they provided. This information is subject to change. The part numbers that TE has identified as EU RoHS compliant have a maximum concentration of 0.1% by weight in homogenous materials for lead, hexavalent chromium, mercury, PBB, PBDE, DBP, BBP, DEHP, DIBP, and 0.01% for cadmium, or qualify for an exemption to these limits as defined in the Annexes of Directive 2011/65/EU (RoHS2). Finished electrical and electronic equipment products will be CE marked as required by Directive 2011/65/EU. Components may not be CE marked. Additionally, the part numbers that TE has identified as EU ELV compliant have a maximum concentration of 0.1% by weight in homogenous materials for lead, hexavalent chromium, and mercury, and 0.01% for cadmium, or qualify for an exemption to these limits as defined in the Annexes of Directive 2000/53/EC (ELV). Regarding the REACH Regulation, the information TE provides on SVHC in articles for this part number is based on the latest European Chemicals Agency (ECHA) 'Guidance on requirements for substances in articles' posted at this URL: <https://echa.europa.eu/guidance-documents/guidance-on-reach>


Customers Also Bought



TE Part #980286-000
242W042-25-0



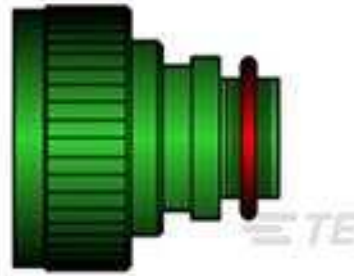
TE Part #293973-000
TXR40AB00-1612AI



TE Part #806677-000
214A032-25-0



TE Part #554173-000
TXR40AB00-1406AI



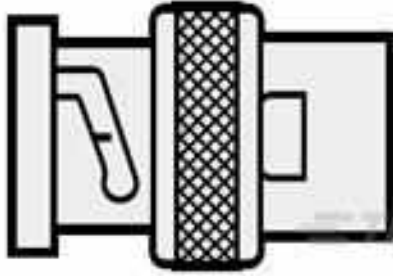
TE Part #658819-000
TXR40AB00-1006AI



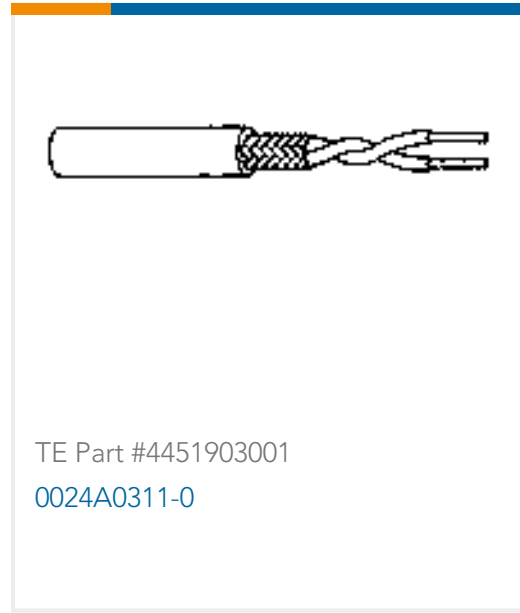
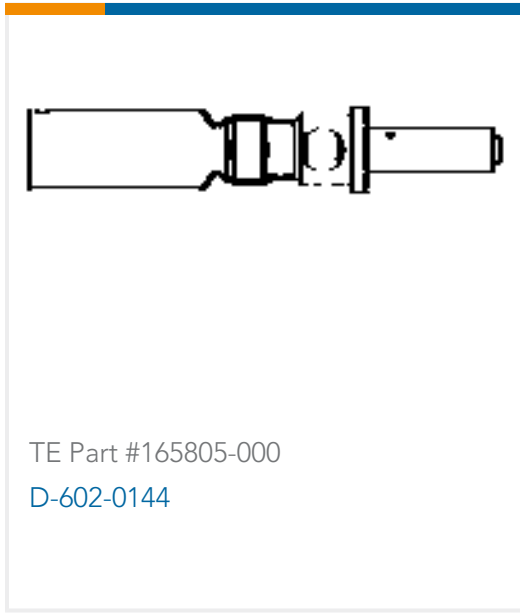
TE Part #430079-000
7528A5314-0



TE Part #918455-000
RBD-75-S-00



TE Part #900469-000
RBD-50-M-00



Documents

Product Drawings

[4.3-10 RA PLUG,SCREW,SOLDER,1-2SF CABLE](#)

English

CAD Files

[3D PDF](#)

3D

Customer View Model

[ENG_CVM_CVM_2081969-1_A.2d_dxf.zip](#)

English

Customer View Model

[ENG_CVM_CVM_2081969-1_A.3d_igs.zip](#)

English

Customer View Model

[ENG_CVM_CVM_2081969-1_A.3d_stp.zip](#)

English

By downloading the CAD file I accept and agree to the [Terms and Conditions](#) of use.

Product Specifications

[Product Specification](#)

English

Instruction Sheets

[Instruction Sheet \(U.S.\)](#)

English