

2081936-1 ✓ ACTIVE

TE Internal #: 2081936-1

2.4mm Series RF Interface, Jack, 50 Ω, Screw, 50 GHz Operating Frequency, Cable-to-Board, 1 Position, Printed Circuit Board, Panel Mount

[View on TE.com >](#)



Connectors > RF Connectors > RF Plugs & Jacks



RF Interface: **2.4mm Series**

RF Connector Style: **Jack**

Impedance: **50 Ω**

RF Connector Coupling Mechanism: **Screw**

Operating Frequency: **50 GHz**

Features

Product Type Features

RF Interface	2.4mm Series
RF Connector Style	Jack
Connector System	Cable-to-Board
Connector & Contact Terminates To	Printed Circuit Board

Configuration Features

PCB Mount Orientation	Vertical
Number of Positions	1
Number of Coaxial Contacts	1

Electrical Characteristics

EMI & RFI Protection & Suppression Type	PCB Ground
Impedance	50 Ω

Body Features

Cable Connector Orientation	Straight
Body Material	Stainless Steel



Body Material Finish	Passivated
----------------------	------------

Contact Features

RF Connector Center Contact Plating Material	Gold
RF Connector Center Contact Material	Beryllium Copper

Mechanical Attachment

RF Connector Coupling Mechanism	Screw
Connector Mounting Type	Panel Mount
RF Contact Captivation Method	Mechanical

Dimensions

Profile Height from PCB	11.4 mm [.445 in]
-------------------------	-------------------

Usage Conditions

Operating Temperature Range	55 – 125 °C [-67 – 257 °F]
-----------------------------	----------------------------

Operation/Application

Operating Frequency	50 GHz
Circuit Application	Power & Signal

Packaging Features

Packaging Method	Bag & Box
------------------	-----------

Other

Dielectric Material	Polyetherimide (PEI)
---------------------	----------------------

Product Compliance

[For compliance documentation, visit the product page on TE.com>](#)

EU RoHS Directive 2011/65/EU	Compliant with Exemptions
EU ELV Directive 2000/53/EC	Not Yet Reviewed
China RoHS 2 Directive MIIT Order No 32, 2016	Restricted Materials Above Threshold
EU REACH Regulation (EC) No. 1907/2006	<p>Current ECHA Candidate List: JAN 2023 (233)</p> <p>Candidate List Declared Against: JAN 2023 (233)</p> <p>SVHC > Threshold:</p> <p>Pb (4.35% in Component Part)</p> <p>Article Safe Usage Statements: Do not eat, drink or smoke when using this product. Wash thoroughly after handling. Recycle if possible and dispose of the article by following all applicable governmental regulations relevant to your geographic location.</p>
Halogen Content	Low Bromine/Chlorine - Br and Cl < 900 ppm per homogenous material. Also BFR



/CFR/PVC Free

Solder Process Capability

Not reviewed for solder process capability

Product Compliance Disclaimer

This information is provided based on reasonable inquiry of our suppliers and represents our current actual knowledge based on the information they provided. This information is subject to change. The part numbers that TE has identified as EU RoHS compliant have a maximum concentration of 0.1% by weight in homogenous materials for lead, hexavalent chromium, mercury, PBB, PBDE, DBP, BBP, DEHP, DIBP, and 0.01% for cadmium, or qualify for an exemption to these limits as defined in the Annexes of Directive 2011/65/EU (RoHS2). Finished electrical and electronic equipment products will be CE marked as required by Directive 2011/65/EU. Components may not be CE marked. Additionally, the part numbers that TE has identified as EU ELV compliant have a maximum concentration of 0.1% by weight in homogenous materials for lead, hexavalent chromium, and mercury, and 0.01% for cadmium, or qualify for an exemption to these limits as defined in the Annexes of Directive 2000/53/EC (ELV). Regarding the REACH Regulation, the information TE provides on SVHC in articles for this part number is based on the latest European Chemicals Agency (ECHA) 'Guidance on requirements for substances in articles' posted at this URL: <https://echa.europa.eu/guidance-documents/guidance-on-reach>

Compatible Parts



TE Part # 2081549-1
ADAPTOR 1.85MM PLUG TO 1.85MM PLUG



TE Part # 2081551-1
ADAPTOR 2.4MM PLUG TO 1.85MM PLUG



TE Part # 2081552-1
ADAPTOR 2.4MM PLUG TO 1.85MM JACK



TE Part # 1-2016661-0
2.40 MALE-MALE,50G,L1000,WITH ARMOR



TE Part # 1-2016661-5
2.40 M DOUBLE,50G,1.5M,WITH ARMOR,BRAID



TE Part # 2016661-6
2.40 M DOUBLE,50G,0.6M,WITH ARMOR,BRAID


Customers Also Bought



TE Part #980286-000
242W042-25-0



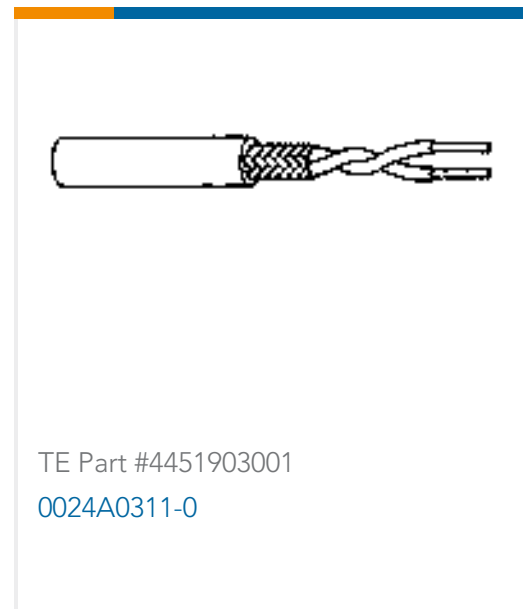
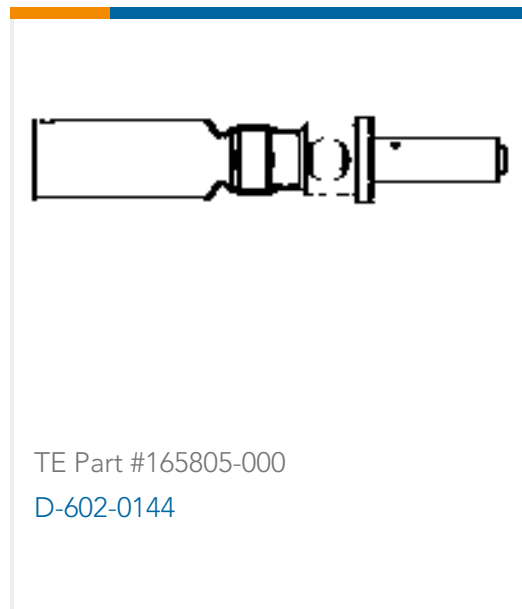
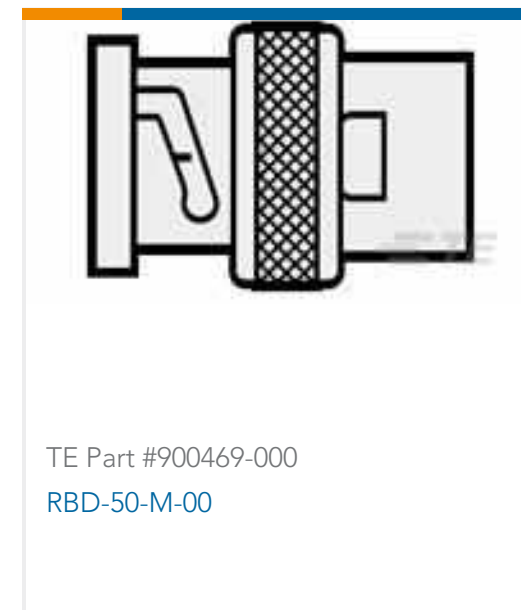
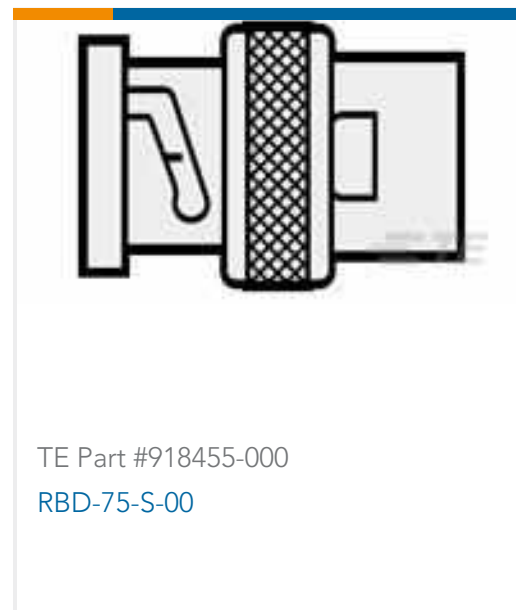
TE Part #293973-000
TXR40AB00-1612AI



TE Part #806677-000
214A032-25-0



TE Part #554173-000
TXR40AB00-1406AI



Documents

Product Drawings

2.4MM JACK 2-HOLE FLANGE SOLDERLESS

English

CAD Files

3D PDF

3D

Customer View Model

[ENG_CVM_CVM_2081936-1_A.2d_dxf.zip](#)

English

Customer View Model

[ENG_CVM_CVM_2081936-1_A.3d_igs.zip](#)

English

Customer View Model

[ENG_CVM_CVM_2081936-1_A.3d_stp.zip](#)

English

By downloading the CAD file I accept and agree to the [Terms and Conditions](#) of use.

Product Specifications

Product Specification

English