

2081892-1 ✓ ACTIVE



TE Internal #: 2081892-1  
SMA RF Interface, Plug, 50  $\Omega$ , Screw, 27 GHz Operating Frequency,  
Cable-to-Board, 1 Position, Printed Circuit Board, -55 – 155 °C,  
Straight

[View on TE.com >](#)

Connectors > RF Connectors > Coax Connectors



RF Interface: **SMA**

RF Connector Style: **Plug**

Impedance: **50  $\Omega$**

RF Connector Coupling Mechanism: **Screw**

Operating Frequency: **27 GHz**

## Features

### Product Type Features

RF Interface	SMA
RF Connector Style	Plug
Connector System	Cable-to-Board
Sealable	No
Connector & Contact Terminates To	Printed Circuit Board

### Configuration Features

PCB Mount Orientation	Vertical
Number of Positions	1
Number of Coaxial Contacts	1

### Electrical Characteristics

Impedance	50 $\Omega$
-----------	-------------

### Body Features

Cable Connector Orientation	Straight
Body Material	Stainless Steel



Body Material Finish	Passivated
----------------------	------------

### Contact Features

RF Connector Center Contact Plating Material	Gold (Au)
RF Connector Center Contact Material	Beryllium Copper

### Mechanical Attachment

RF Connector Coupling Mechanism	Screw
---------------------------------	-------

### Usage Conditions

Operating Temperature Range	-55 – 155 °C
-----------------------------	--------------

### Operation/Application

Circuit Application	Signal
Operating Frequency	27 GHz

### Packaging Features

Packaging Method	Bag & Box
------------------	-----------

### Other

Dielectric Material	PTFE
---------------------	------

## Product Compliance

[For compliance documentation, visit the product page on TE.com>](#)

EU RoHS Directive 2011/65/EU	Compliant with Exemptions
EU ELV Directive 2000/53/EC	Not Yet Reviewed
China RoHS 2 Directive MIIT Order No 32, 2016	Restricted Materials Above Threshold
EU REACH Regulation (EC) No. 1907/2006	<p>Current ECHA Candidate List: JUNE 2024 (241)</p> <p>Candidate List Declared Against: JAN 2024 (240)</p> <p>SVHC &gt; Threshold:</p> <p>Pb (4.35% in Component Part)</p> <p><b>Article Safe Usage Statements:</b> Do not eat, drink or smoke when using this product. Wash thoroughly after handling. Recycle if possible and dispose of the article by following all applicable governmental regulations relevant to your geographic location.</p>
Halogen Content	Low Bromine/Chlorine - Br and Cl < 900 ppm per homogenous material. Also BFR /CFR/PVC Free
Solder Process Capability	Not reviewed for solder process capability

Product Compliance Disclaimer

This information is provided based on reasonable inquiry of our suppliers and represents our current actual knowledge based on the information they provided. This information is subject to change. The part numbers that TE has identified as EU RoHS compliant have a maximum concentration of 0.1% by weight in homogenous materials for lead, hexavalent chromium, mercury, PBB, PBDE, DBP, BBP, DEHP, DIBP, and 0.01% for cadmium, or qualify for an exemption to these limits as defined in the Annexes of Directive 2011/65/EU (RoHS2). Finished electrical and electronic equipment products will be CE marked as required by Directive 2011/65/EU. Components may not be CE marked. Additionally, the part numbers that TE has identified as EU ELV compliant have a maximum concentration of 0.1% by weight in homogenous materials for lead, hexavalent chromium, and mercury, and 0.01% for cadmium, or qualify for an exemption to these limits as defined in the Annexes of Directive 2000/53/EC (ELV). Regarding the REACH Regulation, the information TE provides on SVHC in articles for this part number is based on the latest European Chemicals Agency (ECHA) 'Guidance on requirements for substances in articles' posted at this URL: <https://echa.europa.eu/guidance-documents/guidance-on-reach>

## Compatible Parts



TE Part # 2081891-1  
EP-SMA,JACK,STRAIGHT,27GHZ,0.23 MM PIN



TE Part # 2016750-2  
EP-SMA,27GHZ,F-F,.141,FLEX,L200



TE Part # 2016759-4  
EP-SMA,27GHZ,F-F,.086,FLEX,L400



TE Part # 2081887-1  
EP-SMA,JACK,STRAIGHT,27GHZ,141 CABLE



TE Part # 2016759-1  
HF,27GHZ SMA F-F,RG405 FLEX,L500



TE Part # 2016759-2  
EP-SMA,27GHZ,F-F,.086,FLEX,L200



TE Part # 2016759-3  
EP-SMA,27GHZ,F-F,.086,FLEX,L300



TE Part # 2016759-5  
EP-SMA,27GHZ,F-F,.086,FLEX,L500

## Customers Also Bought



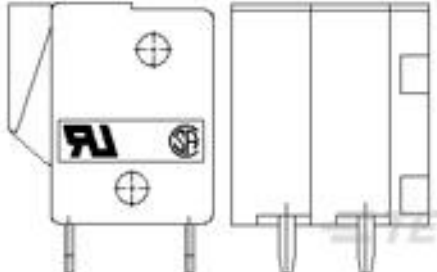
TE Part #1-338068-8  
MICRO-MATCH FTE,18P



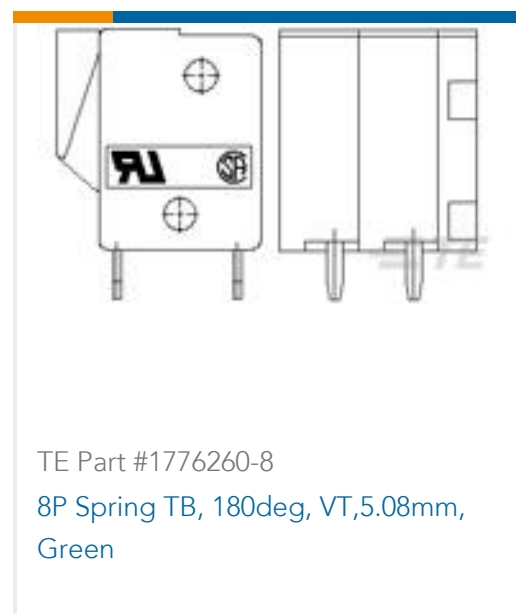
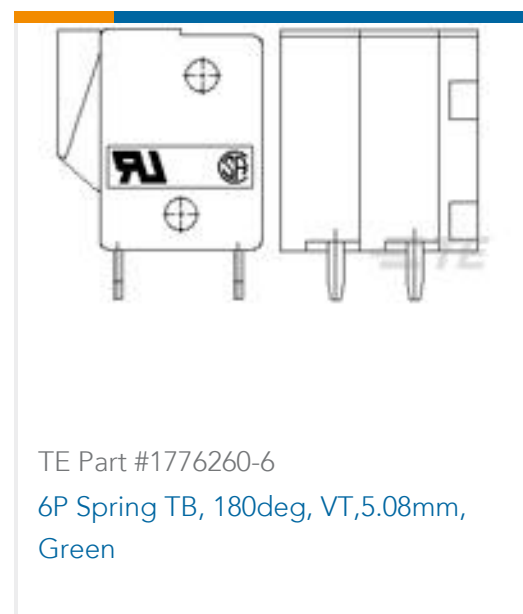
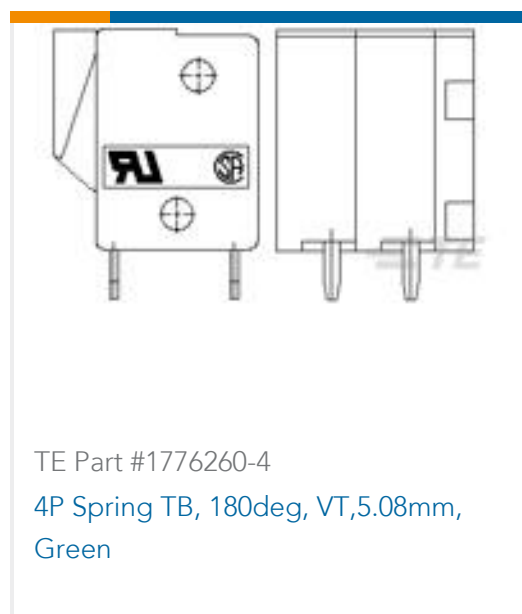
TE Part #215464-4  
Male-on-Board Connector, Micro-MaTch



TE Part #6-2176230-5  
3522 180K 5% 3W



TE Part #1776260-2  
2P Spring TB, 180deg, VT,5.08mm, Green



## Documents

### Product Drawings

[EP-SMA,PLUG,STRAIGHT,27GHZ,0.23MM PIN](#)

English

### CAD Files

[3D PDF](#)

3D

Customer View Model

[ENG\\_CVM\\_CVM\\_2081892-1\\_1.2d\\_dxf.zip](#)

English

Customer View Model

[ENG\\_CVM\\_CVM\\_2081892-1\\_1.3d\\_igs.zip](#)

English

Customer View Model

[ENG\\_CVM\\_CVM\\_2081892-1\\_1.3d\\_stp.zip](#)

English

By downloading the CAD file I accept and agree to the [Terms and Conditions](#) of use.

### Product Specifications

[Product Specification](#)

English