

2081570-1 ✓ ACTIVE

TE Internal #: 2081570-1

RF Connectors, OS 2.9 RF Interface, Jack, RF Connector Mated

Outer Diameter (Approximate) .38 in [9.65 mm], 50 Ω , Screw, 40GHz

Operating Frequency

[View on TE.com >](#)



Connectors > RF & Coax Connectors > RF Connectors



RF Interface: **OS 2.9**

RF Connector Style: **Jack**

RF Connector Mated Outer Diameter (Approximate): **9.65 mm [.38 in]**

Impedance: **50 Ω**

RF Connector Coupling Mechanism: **Screw**

Features

Product Type Features

| | |
|-----------------------------------|----------------|
| RF Interface | OS 2.9 |
| RF Connector Style | Jack |
| Connector System | Cable-to-Board |
| Connector & Contact Terminates To | Wire & Cable |

Configuration Features

| | |
|----------------------------|----------|
| Number of Mounting Legs | 0 |
| Number of Signal Positions | 1 |
| Number of Positions | 1 |
| PCB Mount Orientation | Vertical |
| Number of Coaxial Contacts | 1 |

Electrical Characteristics

| | |
|---------------------------|-------------|
| EMI & RFI Protection Type | PCB Ground |
| Impedance | 50 Ω |

Body Features



| | |
|-----------------------------|-----------------|
| Cable Connector Orientation | Straight |
| Body Material | Stainless Steel |
| Body Material Finish | Passivated |

Contact Features

| | |
|--|------------------|
| RF Connector Center Contact Plating Material | Gold |
| RF Connector Center Contact Material | Beryllium Copper |

Mechanical Attachment

| | |
|---------------------------------|------------|
| RF Connector Coupling Mechanism | Screw |
| RF Contact Captivation Method | Mechanical |

Dimensions

| | |
|---|--------------------|
| RF Connector Mated Outer Diameter (Approximate) | 9.65 mm [.38 in] |
| Height Above PC Board | 10.94 mm [.431 in] |

Usage Conditions

| | |
|-----------------------------|-----------------------------|
| Operating Temperature Range | -55 – 125 °C [-67 – 257 °F] |
|-----------------------------|-----------------------------|

Operation/Application

| | |
|---------------------|--------|
| Operating Frequency | 40 GHz |
| Circuit Application | Signal |

Packaging Features

| | |
|------------------|-----|
| Packaging Method | Bag |
|------------------|-----|

Other

| | |
|---------------------|----------------------|
| Dielectric Material | Polyetherimide (PEI) |
|---------------------|----------------------|

Product Compliance

For compliance documentation, visit the product page on [TE.com](https://www.te.com)>

| | |
|---|---|
| EU RoHS Directive 2011/65/EU | Compliant with Exemptions |
| EU ELV Directive 2000/53/EC | Not Yet Reviewed |
| China RoHS 2 Directive MIIT Order No 32, 2016 | Restricted Materials Above Threshold |
| EU REACH Regulation (EC) No. 1907/2006 | Current ECHA Candidate List: JUN 2020 (209) Candidate List Declared Against: JAN 2020 (205) Pb (.35% in Component Part) |

Article Safe Usage Statements:

Do not eat, drink or smoke when using this product. Wash thoroughly after handling. Recycle if possible and dispose of the article by following all applicable governmental regulations relevant to your geographic location.



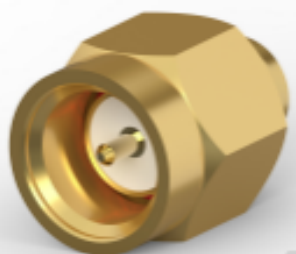




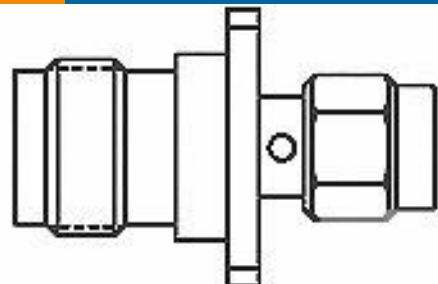


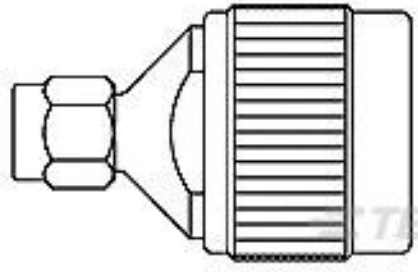
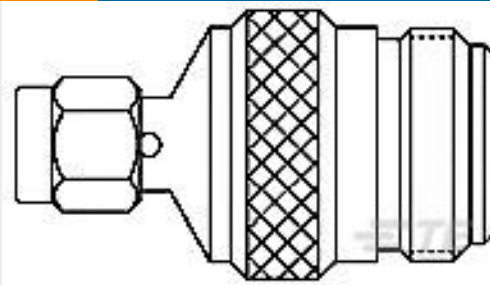


| | |
|---------------------------|---|
| Halogen Content | Low Halogen - Br, Cl, F, I < 900 ppm per homogenous material. Also BFR/CFR/PVC Free |
| Solder Process Capability | Not reviewed for solder process capability |

Product Compliance Disclaimer

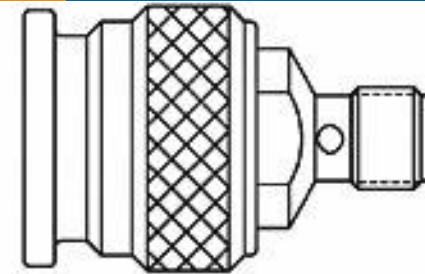
This information is provided based on reasonable inquiry of our suppliers and represents our current actual knowledge based on the information they provided. This information is subject to change. The part numbers that TE has identified as EU RoHS compliant have a maximum concentration of 0.1% by weight in homogenous materials for lead, hexavalent chromium, mercury, PBB, PBDE, DBP, BBP, DEHP, DIBP, and 0.01% for cadmium, or qualify for an exemption to these limits as defined in the Annexes of Directive 2011/65/EU (RoHS2). Finished electrical and electronic equipment products will be CE marked as required by Directive 2011/65/EU. Components may not be CE marked. Additionally, the part numbers that TE has identified as EU ELV compliant have a maximum concentration of 0.1% by weight in homogenous materials for lead, hexavalent chromium, and mercury, and 0.01% for cadmium, or qualify for an exemption to these limits as defined in the Annexes of Directive 2000/53/EC (ELV). Regarding the REACH Regulation, the information TE provides on SVHC in articles for this part number is based on the latest European Chemicals Agency (ECHA) 'Guidance on requirements for substances in articles' posted at this URL: <https://echa.europa.eu/guidance-documents/guidance-on-reach>

Compatible Parts

| | | | |
|---|---|---|--|
|  <p>TE Model / Part # 1-2016655-0 SMA,MALE-MALE,18G,L1000, WITHOUT ARMOR</p> |  <p>TE Model / Part # 1-2016703-0 N M TO SMA M,18G,1.0M WITH ARMOR</p> |  <p>TE Model / Part # 1050524-1 2001 5003 00,SMA CABLE PLUG</p> |  <p>TE Model / Part # 1050525-1 2001 5003 02,SMA CABLE PLUG</p> |
|  <p>TE Model / Part # 1054426-1 2082 5133 02</p> |  <p>TE Model / Part # 1053635-1 2081 0000 02</p> |  <p>TE Model / Part # 1-2016656-0 SMA M DOUBLE,18G,1.0M WITH ARMOR,PUR</p> |  <p>TE Model / Part # 1057857-1 3182 2243 00</p> |
|  <p>TE Model / Part # 1-2016662-0 2.92,M,BOTH END,WITH ARMOR CABLE,40GHZ</p> |  <p>TE Model / Part # 1-2016663-0 3.5 M DOUBLE,26.5G,1.0M,WITH ARMOR,BRAID</p> |  <p>TE Model / Part # 1057367-1 3081 2241 00</p> |  <p>TE Model / Part # 1058664-1 3682 2241 00</p> |



TE Model / Part # 1408393-1
SNAP ON SMA PLUG TO SMA PLUG A



TE Model / Part # 1057853-1
3182 2240 00,TNC PLUG TO OSM



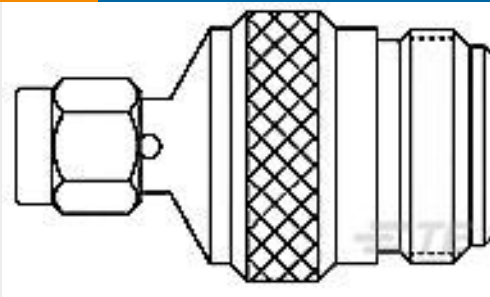
TE Model / Part # 1-1478924-0
SMA R/A PLG S/CRMP RG174 GSS



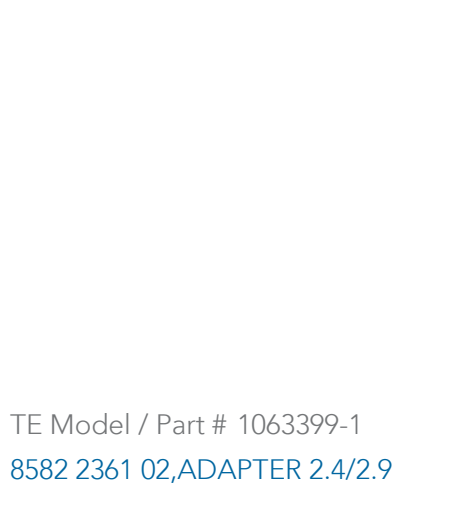
TE Model / Part # 1054425-1
2082 5133 00



TE Model / Part # 1053634-1
2081 0000 00



TE Model / Part # 1057381-1
3082 2241 00



TE Model / Part # 1063399-1
8582 2361 02,ADAPTER 2.4/2.9



TE Model / Part # 1-2016655-5
SMA M DOUBLE,18G,1.5M WITHOUT ARMOR


Customers Also Bought



TE Model / Part #293973-000
TXR40AB00-1612AI



TE Model / Part #146995-000
TXR40AB00-1410AI



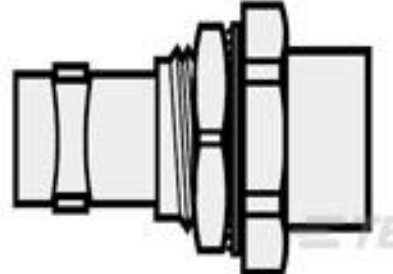
TE Model / Part #165805-000
D-602-0144



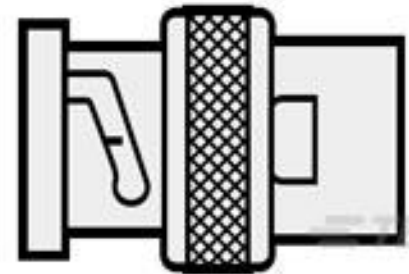
TE Model / Part #554173-000
TXR40AB00-1406AI



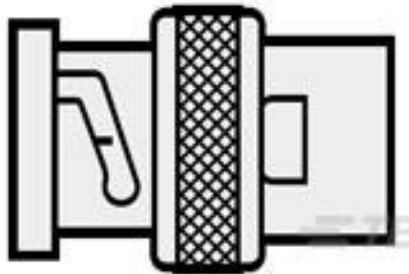
TE Model / Part #430079-000
7528A5314-0




TE Model / Part #534583-000
RBD-75-M-02



TE Model / Part #900469-000
RBD-50-M-00



TE Model / Part #918455-000
RBD-75-S-00



TE Model / Part #440063-007
7528A1317-0



TE Model / Part #4451903001
0024A0311-0

Documents



Product Drawings

2.92MM JACK 2 HOLE FLANGE RECEPTACLE

English

CAD Files

3D PDF

3D

Customer View Model

[ENG_CVM_CVM_2081570-1_A.2d_dxf.zip](#)

English

Customer View Model

[ENG_CVM_CVM_2081570-1_A.3d_igs.zip](#)

English

Customer View Model

[ENG_CVM_CVM_2081570-1_A.3d_stp.zip](#)

English

By downloading the CAD file I accept and agree to the [Terms and Conditions](#) of use.

Product Specifications

Product Specification

English