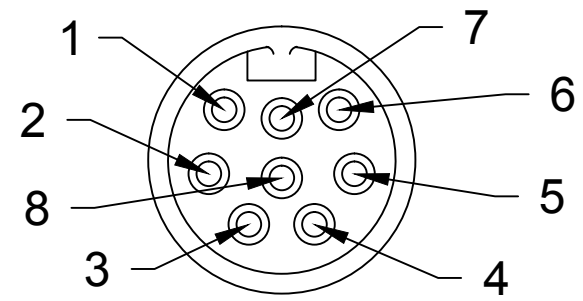
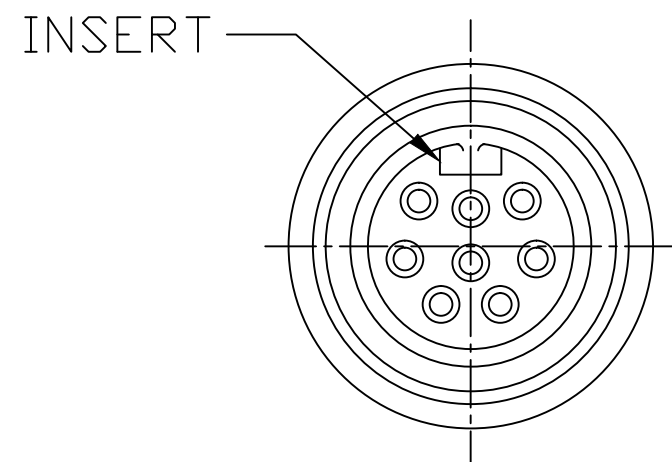


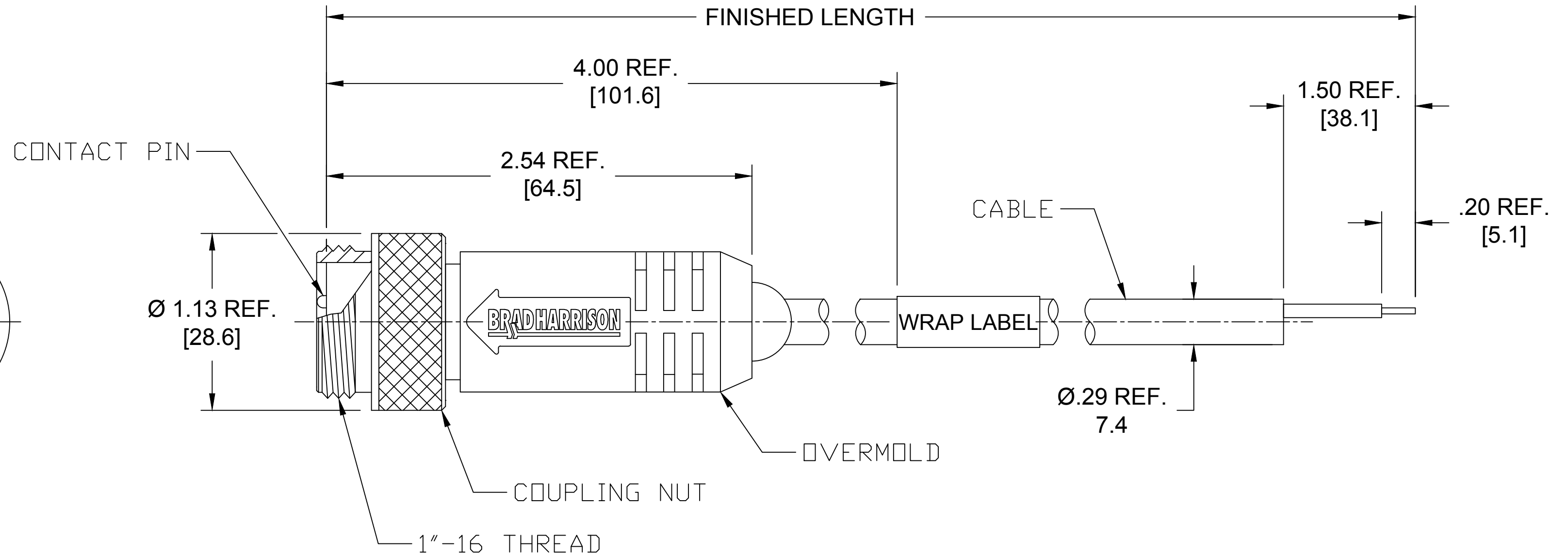
FACE VIEW-MALE INSERT



- 1 RED
- 2 PINK
- 3 GRAY
- 4 YELLOW
- 5 GREEN
- 6 WHITE
- 7 BLUE (GRD)
- 8 BROWN



SAP P/N #	ENGINEERING P/N	FINISHED LENGTH
1300070450	208006A04M003	0.3M +19.0mm-0 (11.81" +.75"-0)



SPECIFICATIONS

MATERIALS:

- COUPLING NUT: ALUMINUM, BLACK ANODIZE
- CONTACT PINS: COPPER ALLOY, GOLD PLATED
- INSERT: PVC, YELLOW
- OVERMOLD: PVC, YELLOW
- CABLE: #22-7 #18-1 YELLOW PVC CORD
- WRAP LABEL: VINYL, BLACK/YELLOW

ELECTRICAL:

- VOLTAGE RATING: 320V PER IEC 60664
- VOLTAGE RATING: 300V PER UL 2238
- CURRENT RATING: 2.5A

MECHANICAL:

- TEMPERATURE RATING: -20°C TO 90°C ©
- PROTECTION: IP67 (IN FULLY MATED POSITION)

AGENCY: ©

- UL RECOGNIZED PER FILE: E152210
- CSA CERTIFIED PER FILE: LR6837



© REF. THIS DRAWING SUPERSEDES RSD-130007-008 REV B1

WAS RSD-130007-0008, WAS 105° EC NO.: IFC2018-0393 DRWN: RSTONE 2018/02/19 CHKD: M ZIELIN APPR: BWOODMAN	QUALITY SYMBOL	GENERAL TOLERANCES (UNLESS SPECIFIED)		DIMENSION STYLE		SCALE	DESIGN UNITS	THIRD ANGLE PROJECTION	
	▽=0	mm	INCH	IN/MM		NTS	INCH		
	∇=0	4 PLACES ±---	±---	DRAWN BY	DATE	TITLE			
		3 PLACES ±---	±---	RSTONE	2018/02/19	MC 8P M/MP #22-7 #18-1 YEL PVC			
	2 PLACES ±---	±---	CHECKED BY	DATE	---				
	1 PLACE ±---	±---	M ZIELIN	----	---				
			APPROVED BY	DATE	molex MOLEX INCORPORATED				
			----	----	MATERIAL NO.		DOCUMENT NO.	SHEET NO.	
					SEE TABLE		SD-130007-008	1 OF 1	
					THIS DRAWING CONTAINS INFORMATION THAT IS PROPRIETARY TO MOLEX INCORPORATED AND SHOULD NOT BE USED WITHOUT WRITTEN PERMISSION				