



RAYCHEM

TE Internal #: 743768-000

Straight, Size 207, Lipped, 100, 100, Adhesive Precoat Adhesive Requirement, -30 – 105 °C [-22 – 221 °F], Heat Shrink Boots

[View on TE.com >](#)

Wire Protection & Management > Heat Shrink Shapes > Heat Shrink Boots > Heat Shrink Boots: Lipped, Straight



Body Orientation: **Straight**

Molded Part Shape Code: **207**

Lipped: **Yes**

Material Code: **100**

Material Systems Code: **100**

[All Heat Shrink Boots: Lipped, Straight \(66\)](#)

Features

Configuration Features

Lipped	Yes
Adhesive Requirement	Adhesive Precoat

Body Features

Primary Product Material	Low Fire Hazard Material
Material Code	100
Material Systems Code	100

Housing Features

Body Orientation	Straight
------------------	----------

Dimensions

Expanded Inside Diameter (Min)	33.3 mm[1.31 in]
--------------------------------	------------------

Usage Conditions

Flammability Performance	Low Fire Hazard
Operating Temperature Range	-30 – 105 °C[-22 – 221 °F]
Resistance Protection	Long-Term Fluid Exposure at High Temperatures

Industry Standards

Compatible With Approved Standards Products	VG95343 Parts 29 and 30
---	-------------------------



Other

Molded Part Shape Code	207
Adhesive Code	184

Product Compliance

[For compliance documentation, visit the product page on TE.com>](#)

EU RoHS Directive 2011/65/EU	Compliant
EU ELV Directive 2000/53/EC	Compliant
China RoHS 2 Directive MIIT Order No 32, 2016	No Restricted Materials Above Threshold
EU REACH Regulation (EC) No. 1907/2006	Current ECHA Candidate List: JUNE 2024 (241) Candidate List Declared Against: JUNE 2024 (241) Does not contain REACH SVHC
Halogen Content	Low Halogen - Br, Cl, F, I < 900 ppm per homogenous material. Also BFR/CFR/PVC Free
Solder Process Capability	Not applicable for solder process capability

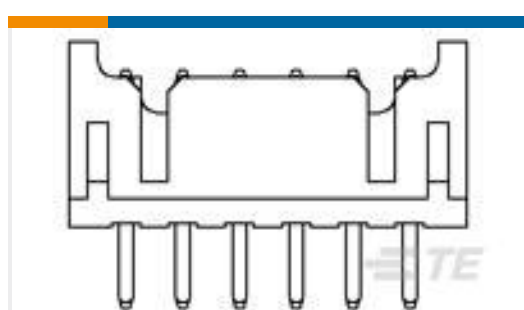
Product Compliance Disclaimer

This information is provided based on reasonable inquiry of our suppliers and represents our current actual knowledge based on the information they provided. This information is subject to change. The part numbers that TE has identified as EU RoHS compliant have a maximum concentration of 0.1% by weight in homogenous materials for lead, hexavalent chromium, mercury, PBB, PBDE, DBP, BBP, DEHP, DIBP, and 0.01% for cadmium, or qualify for an exemption to these limits as defined in the Annexes of Directive 2011/65/EU (RoHS2). Finished electrical and electronic equipment products will be CE marked as required by Directive 2011/65/EU. Components may not be CE marked. Additionally, the part numbers that TE has identified as EU ELV compliant have a maximum concentration of 0.1% by weight in homogenous materials for lead, hexavalent chromium, and mercury, and 0.01% for cadmium, or qualify for an exemption to these limits as defined in the Annexes of Directive 2000/53/EC (ELV). Regarding the REACH Regulation, the information TE provides on SVHC in articles for this part number is based on the latest European Chemicals Agency (ECHA) 'Guidance on requirements for substances in articles' posted at this URL: <https://echa.europa.eu/guidance-documents/guidance-on-reach>

Customers Also Bought



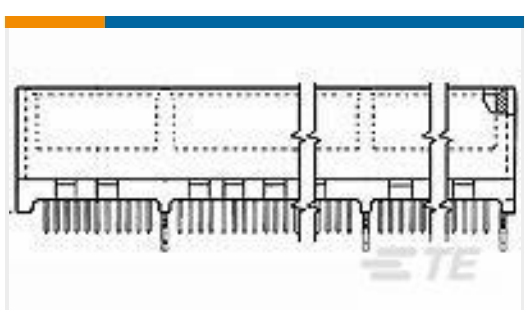
TE Part #7-1761614-0
STEP-Z PLUG 20MM 200P LF ST



TE Part #2-1470109-4
2.0mm Pitch Header, Dip 24p



TE Part #2-1532186-9
M83513/03-H12C, MCKS-C2-B-100P6Q9-36.0



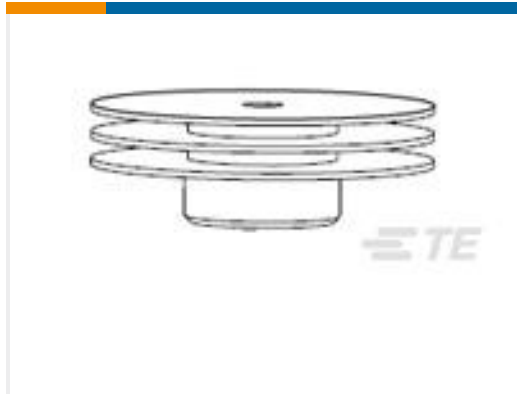
TE Part #5145168-2
CONNECTOR ASSEMBLY, DUAL POSIT



TE Part #743100-000
5420-00-230010



TE Part #5-1617808-6
TD228-1103P=TDFO 110 SEC M83726 /28-1103P



TE Part #2-1542007-3
HTS828-U=29MM HS ASS'Y ULTEM C



TE Part #950803N001
3024-10-561322-CS2359

Documents

Product Drawings

[207W634-100/184-0](#)

English

Datasheets & Catalog Pages

[1654025_Sec4_-100](#)

English

Raychem Molded Parts Visual Guide

English

Product Specifications

[Product Specification](#)

English