

Data Sheet | Item Number: 2075-381/997-404

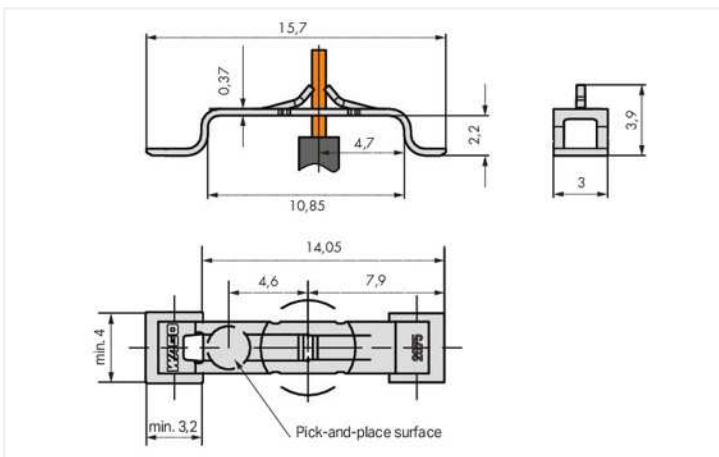
Through-Board SMD PCB Terminal Block; Pin spacing 3 mm; 1-pole; PUSH WIRE®; in tape-and-reel packaging; Without housing; 0,75 mm²; silver-colored



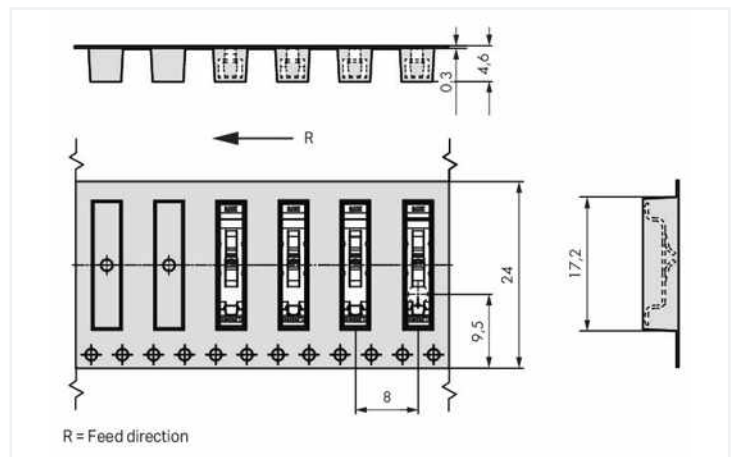
<https://www.wago.com/2075-381/997-404>



Color:  silver-colored



Dimensions in mm



Dimensions in mm

- For vertical wiring
- Wiring performed on the back of the LED module simplifies lighting manufacturing
- Low installation height minimizes on-board LED shadowing
- Compact design provides uniform light distribution
- An economical alternative to wire soldering
- For manual and automated wiring systems

Notes

Note	Terminal block without insulation housing!
	Protection against accidental contact must be provided at voltages higher than low voltages (e.g., SELV/PELV) for the relevant application.

Electrical data

Ratings per IEC/EN

Ratings per	IEC/EN 60664-1
Nominal voltage (II/2)	500 V
Rated surge voltage (III/2)	4 kV
Rated current	9 A
Legend (ratings)	(III / 2) Δ Overvoltage category III / Pollution degree 2

Ratings per UL 1977

Rated voltage (UL 1977)	600 V
Rated current UL 1977	9 A

Connection data

Connection points	1
Total number of potentials	1
Number of connection types	1
Number of levels	1

Connection 1

Connection technology	PUSH WIRE®
Actuation type	Push-in
Solid conductor	0.34 ... 0.75 mm ² / 20 ... 18 AWG
Strip length	3.7 mm / 0.15 inches
Conductor connection direction to PCB	90 °
Pole number	1

Physical data

Width	3 mm / 0.118 inches
Height	3.9 mm / 0.154 inches
Depth	17.5 mm / 0.689 inches
Reel diameter of tape-and-reel packaging	330 mm
Tape width	24 mm

PCB contact

PCB contact	SMD
Solder pin arrangement	in-line
Number of solder pins per potential	2

Material Data

Note (material data)	Information on material specifications can be found here
Color	silver-colored
Flammability class per UL94	V0
Clamping spring material	Copper alloy
Contact material	Electrolytic copper (E _{cu})
Contact plating	Tin
Fire load	0 MJ
Weight	0.2 g

Environmental requirements

Limit temperature range	-60 ... +105 °C
-------------------------	-----------------

Commercial data

eCl@ss 10.0	27-14-11-06
eCl@ss 9.0	27-14-11-06
ETIM 8.0	EC001284
ETIM 7.0	EC001284
PU (SPU)	18000 (2000) pcs
Packaging type	Box
Country of origin	CH
GTIN	4055143607636
Customs tariff number	85369010000

Approvals / Certificates

General approvals



Approval	Standard	Certificate Name
CB DEKRA Certification B.V.	IEC 60998	NL-57046
cURus Underwriters Laboratories Inc.	UL 1977	E45171
KEMA/KEUR DEKRA Certification B.V.	EN 60998	71-107567

Downloads

Environmental Product Compliance


Compliance Search

Environmental Product
Compliance
2075-381/997-404



Documentation

Additional Information

Technical Section	03.04.2019	pdf 1949.09 KB	
-------------------	------------	-------------------	---

CAD/CAE-Data



CAD data

2D/3D Models
2075-381/997-404



CAE data

ZUKEN Portal
2075-381/997-404

