

SENSORS

PRODUCT NUMBER 2066.3102



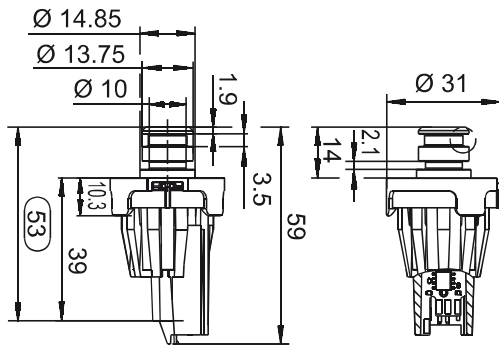
TECHNICAL DATA

Product number	2066.3102	
Product family	Sensors	
Weight	22.720 g	
Sensor type	analog pressure sensor	
Additional specifications	pressure-/filling level measurement	
Medium	air / heating water / water	
Measuring range	0-10 bar / 0-145 psi / 0-1 MPa	
Sensor description	maximum current consumption < 14 mA (12 mA typ.)	
Accuracy / tolerance	$U_{out} [V] = 0.3 [V/bar] \times \text{applied pressure [bar]} + 0.5 [V]$	
Output signal	proportional: 0.5 V at 0 bar, 3.5 V at 10 bar	
Bursting pressure	> 42 bar / 609 psi / 4.2 MPa	
Power supply	5 V DC (ratiometric)	
Switching function	Pressure sensor	
connections	3-pole, SNAP 2.5, with plug	
Ambient temperature	→ connection side	-10 °C ... +70 °C
Storage temperature	-40 °C ... +90 °C	
Actuators and additional actuators	actuator: PBTP, black	
Housing description	housing: Grivory, flange certified (KTW, WRAS, FDA, ACS, NSF61+51), black diaphragms: EPDM (FDA, ACS, 3A Sanitary certified), black	
Medium temperature	+2 °C ... +90 °C	
Miscellaneous	plugging flange	
Additional labeling	year/week/day of manuf.	
Stock version	■	

PRODUCT IMAGE



(Similar to original product)

DRAWINGS

Technical changes reserved. Dimensions are not binding.
Detailed specifications available on request.

Marquardt GmbH · Schloss-Straße 16 · 78604 Rietheim-Weilheim · Germany
Phone: +49 (0) 7424 / 99-0 · Fax: +49 (0) 7424 / 99-2399 · www.marquardt.com · marquardt@marquardt.de