

# SENSORS

PRODUCT NUMBER 2066.2103



## TECHNICAL DATA

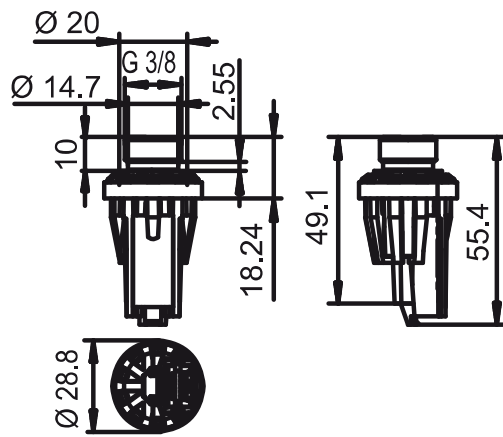
<b>Product number</b>	<b>2066.2103</b>	
Product family	Sensors	
Weight	20.600 g	
Sensor type	analog pressure sensor	
Additional specifications	pressure-/filling level measurement	
Medium	air / heating water / water	
Measuring range	0-4.5 bar / 0-65 psi / 0-450 kPa	
Sensor description	maximum current consumption < 14 mA (12 mA typ.)	
Accuracy / tolerance	$U_{out} [V] = 0.55 [V/bar] \times \text{applied pressure [bar]} + 1.125 [V]$	
Output signal	proportional: 1.125 V at 0 bar, 3.6 V at 4.5 bar	
Bursting pressure	> 9 bar / 130 psi / 0.9 MPa	
Power supply	5 V DC (ratiometric)	
Switching function	Pressure sensor	
connections	4-pole, SNAP 2.5, with plug	
Ambient temperature	→ connection side	-10 °C ... +70 °C
Storage temperature	-40 °C ... +90 °C	
Actuators and additional actuators	actuator: PBTP, black, special version	
Housing description	housing: Grivory HTV 5, black diaphragms: EPDM with fabric reinforcement, black	
Medium temperature	+2 °C ... +90 °C	
Miscellaneous	thread flange / external thread G 3/8	
Additional labeling	year/week/day of manuf.	
Stock version	●	

## PRODUCT IMAGE



(Similar to original product)

## DRAWINGS



Technical changes reserved. Dimensions are not binding.  
Detailed specifications available on request.

---

Marquardt GmbH · Schloss-Straße 16 · 78604 Rietheim-Weilheim · Germany  
Phone: +49 (0) 7424 / 99-0 · Fax: +49 (0) 7424 / 99-2399 · [www.marquardt.com](http://www.marquardt.com) · [marquardt@marquardt.de](mailto:marquardt@marquardt.de)