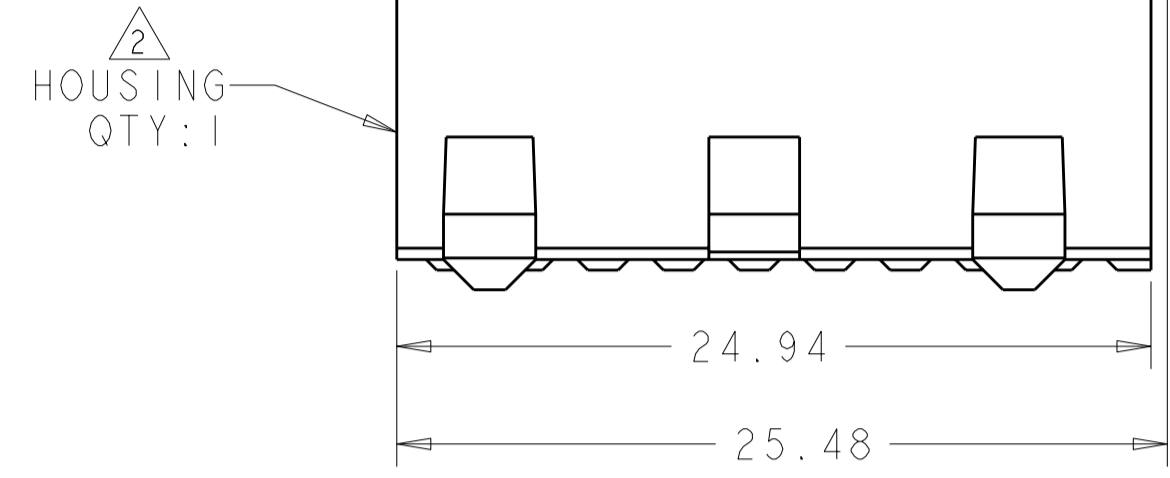
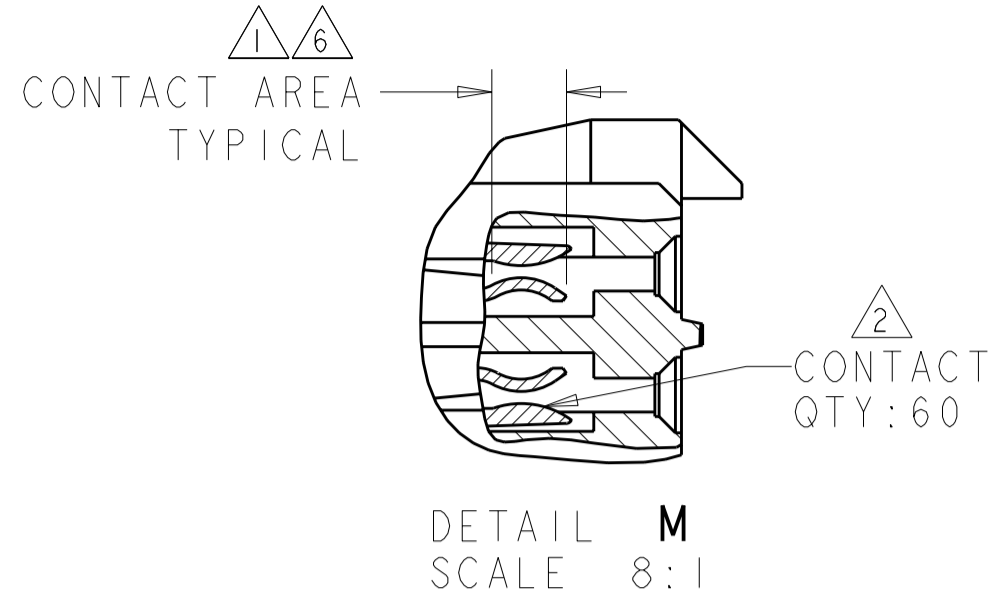
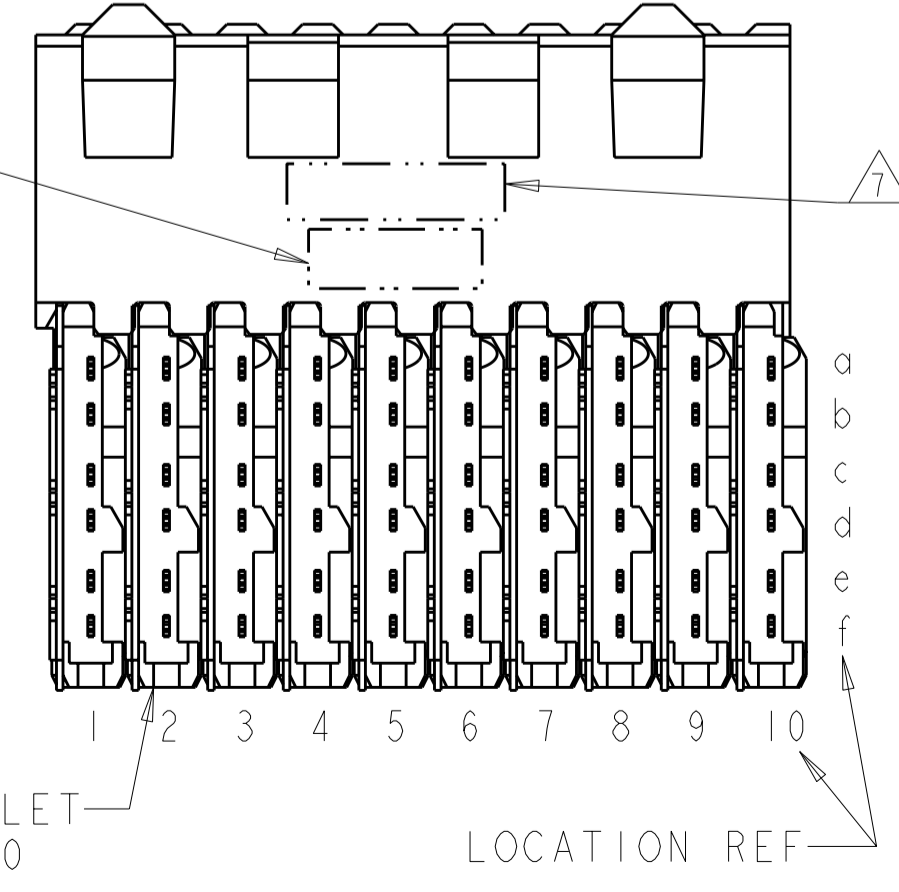
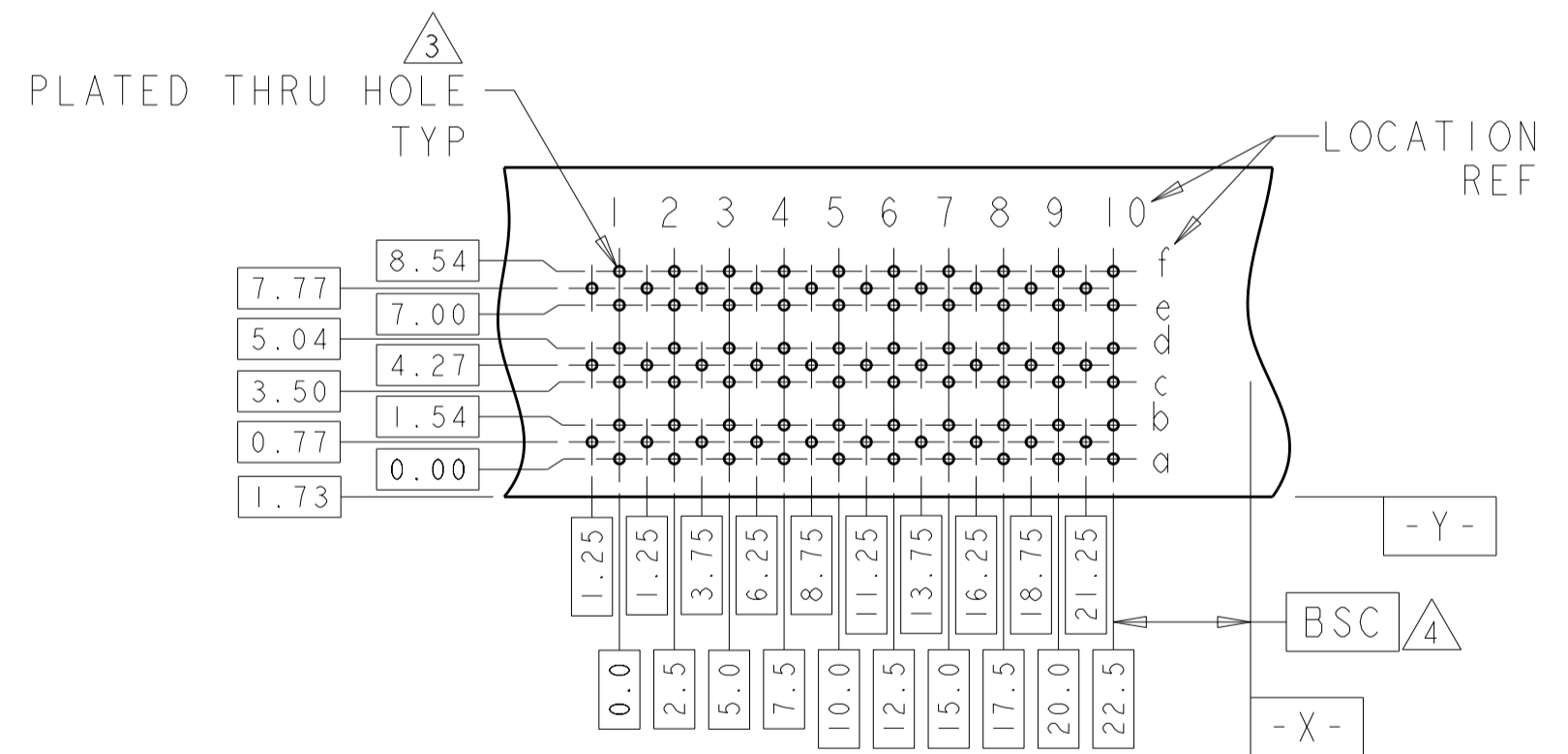
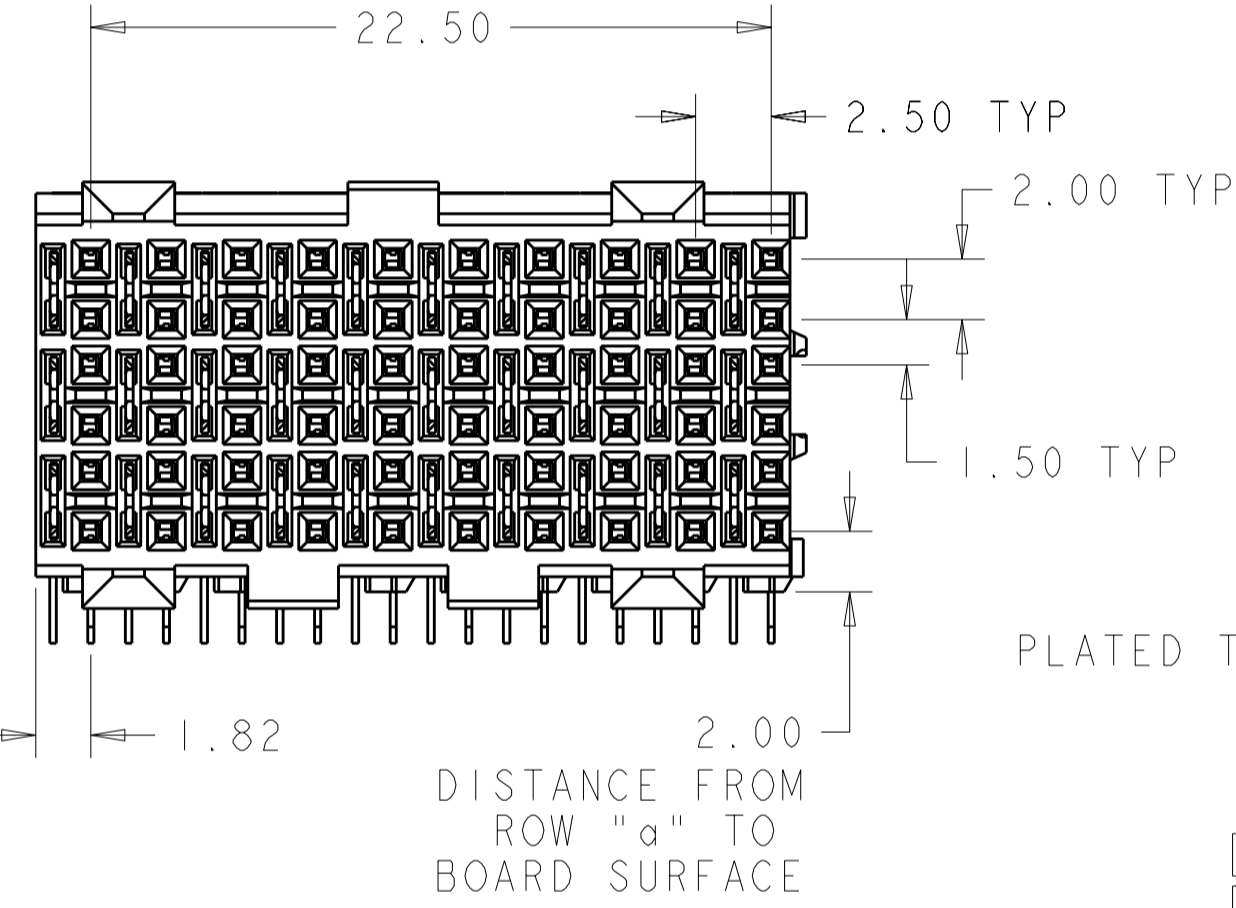
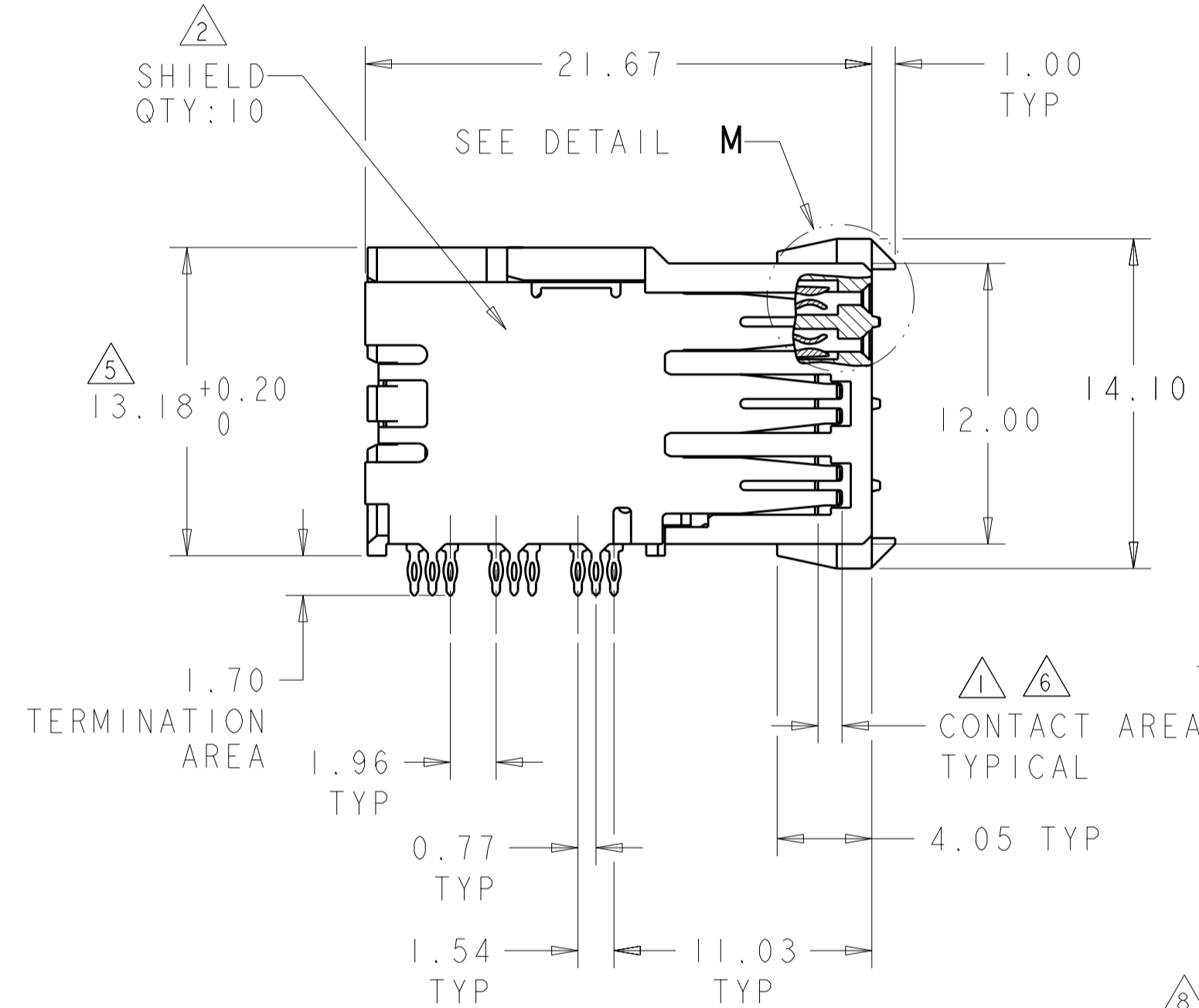


THIS DRAWING IS UNPUBLISHED. RELEASED FOR PUBLICATION 2009
 © COPYRIGHT 2009 BY - ALL RIGHTS RESERVED.

LOC		DIST		REVISIONS				
P	LTR	DESCRIPTION	DATE	DWN	APVD			
	A	RELEASE	02FEB2010	SJM	MB			
	B	DRAWING UPDATE	07MAR2011	MH	MB			



- 1 CONTACT MATING AREA, MEETS THE PERFORMANCE REQUIREMENTS OF TE CONNECTIVITY PRODUCT SPECIFICATION 108-1957-1; BASED ON TELCORDIA GR-1217-CORE, APPLICATIONS IN UNCONTROLLED ENVIRONMENTS COMPLIANT PIN AREA, 0.76µM MIN MATTE TIN OVER BASE PLATING
- 2 MATERIAL:
 CONTACT - COPPER ALLOY
 SHIELD - PHOSPHOR BRONZE
 HOUSING - LCP, UL94V-0
 CHICKLET - GLASS FILLED POLYESTER
- 3 REFERENCE APPLICATION SPEC 114-13020 FOR RECOMMENDED PLATED THRU HOLE DIAMETER AND PLATING THICKNESS.
- 4 DATUM AND BASIC DIMENSION ESTABLISHED BY CUSTOMER.
- 5 SEATING HEIGHT TO BOARD SURFACE.
- 6 CONTACT AREA LUBRICATED WITH BELLCORE APPROVED LUBRICANT. TECHNICAL REFERENCE: GR-1217-CORE, ISSUE 1, NOVEMBER 1995.
- 7 DATE CODE
- 8 PART NUMBER



CHICKLET QTY: 10
 LOCATION REF

DESIGN APPROVED THIS PRINT IS
PRELIMINARY
 TO FIRST PIECE APPROVAL CONTACT PRODUCT ENGINEERING BEFORE USING THIS PRINT

RECOMMENDED PRINTED CIRCUIT BOARD LAYOUT
 COMPONENT SIDE OF PRINTED CIRCUIT BOARD

2065874-1
 PART NUMBER

THIS DRAWING IS A CONTROLLED DOCUMENT.		DWN S. MAGARO 29JUL2009	TE Connectivity	
		CHK N. SCHROLL 29JUL2009		
DIMENSIONS: mm		APVD M. BOWERS 07MAR2011	NAME RECEPTACLE ASSEMBLY, 60 POSITION, 6 ROW, DUAL BEAM, Z-PACK HS3 PLUS	
TOLERANCES UNLESS OTHERWISE SPECIFIED:		PRODUCT SPEC 108-1957-1	SIZE CAGE CODE DRAWING NO RESTRICTED TO	
0 PLC ±		APPLICATION SPEC 114-13020	A200779C-2065874	
1 PLC ±		WEIGHT -	SCALE 3:1 SHEET 1 OF 1 REV B	
2 PLC ±0.13		CUSTOMER DRAWING		
3 PLC ±0.050				
4 PLC ±				
ANGLES FINISH				